



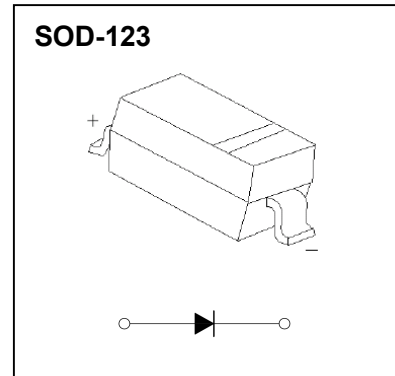
SOD-123 Plastic-Encapsulate Diodes

RB160M-30 SCHOTTKY BARRIER DIODE

FEATURES

- Small Current Rectification
- Low Voltage

MARKING: 73



MAXIMUM RATINGS (T_a=25°C unless otherwise noted)

Symbol	Parameter	Value	Unit
V _R	DC Blocking Voltage	30	V
I _O	Forward Current	1	A
I _{FSM}	Non-repetitive Peak Forward Surge Current @t<8.3ms	30	
P _D	Power Dissipation	450	mW
R _{θJA}	Thermal Resistance from Junction to Ambient	222	°C/W
T _J	Junction Temperature	125	°C
T _{stg}	Storage Temperature	-55~+150	°C

ELECTRICAL CHARACTERISTICS(T_a=25°C unless otherwise specified)

Parameter	Symbol	Test conditions	Min	Typ	Max	Unit
Reverse current	I _R	V _R =15V			20	μA
		V _R =30V			50	μA
Forward voltage	V _{F(1)}	I _F =500mA			0.46	V
	V _{F(2)} *	I _F =1000mA			0.48	

* Pulse test