

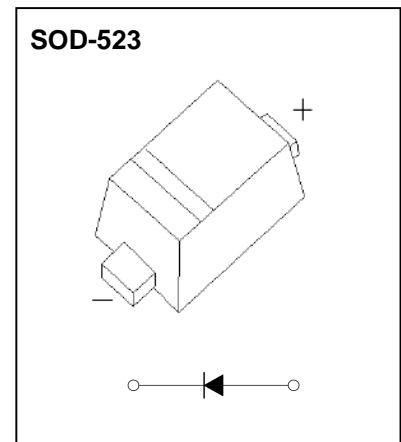


SOD-523 Plastic-Encapsulate Diodes

RB521S-30 Schottky barrier Diode

FEATURES

- Small surface mounting type
- Low reverse current and low forward voltage
- High reliability



MARKING: C

Maximum Ratings and Electrical Characteristics, Single Diode @Ta=25°C

Parameter	Symbol	Limit	Unit
DC reverse voltage	V_R	30	V
Mean rectifying current	I_o	200	mA
Peak forward surge current	I_{FSM}	1	A
Power dissipation	D_b	150	mW
Thermal Resistance Junction to Ambient	θ_{JA}	667	°C/W
Junction temperature	T_j	125	°C
Storage temperature	T_{stg}	-55~+150	°C

Electrical Ratings @Ta=25°C

Parameter	Symbol	Min	Typ	Max	Unit	Conditions
Forward voltage	V_F			0.5	V	$I_F=200mA$
Reverse current	I_R			30	μA	$V_R=10V$

Typical Characteristics

RB521S-30

