

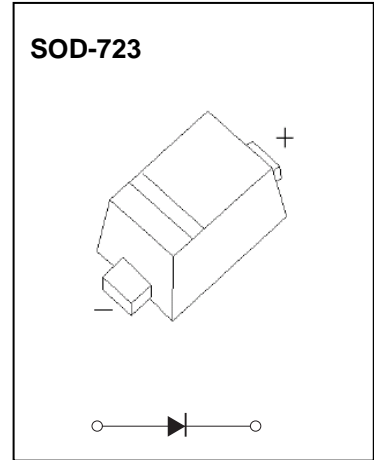


SOD-723 Plastic-Encapsulate Diodes

RB521G-30 Schottky barrier Diode

FEATURES

- Small surface mounting type
- High reliability



MARKING: F

Maximum Ratings and Electrical Characteristics, Single Diode @Ta=25°C

Parameter	Symbol	Limit	Unit
DC reverse voltage	V_R	30	V
Mean rectifying current	I_O	100	mA
Peak forward surge current	I_{FSM}	1	A
Power dissipation	D_8	100	mW
Thermal Resistance Junction to Ambient	θ_{JA}	1000	°C/W
Junction temperature	T_j	125	°C
Storage temperature	T_{stg}	-55~+150	°C

Electrical Ratings @Ta=25°C

Parameter	Symbol	Min	Typ	Max	Unit	Conditions
Forward voltage	V_F			0.35	V	$I_F=10mA$
Reverse current	I_R			10	μA	$V_R=10V$