

# Precision Monolithic Quad SPST CMOS Analog Switches

## DESCRIPTION

The DG411 series of monolithic quad analog switches was designed to provide high speed, low error switching of precision analog signals. Combining low power (0.35  $\mu$ W) with high speed ( $t_{ON}$ : 110 ns), the DG411 family is ideally suited for portable and battery powered industrial and military applications.

To achieve high-voltage ratings and superior switching performance, the DG411 series was built on Vishay Siliconix's high voltage silicon gate process. An epitaxial layer prevents latchup.

Each switch conducts equally well in both directions when on, and blocks input voltages up to the supply levels when off.

The DG411, DG412 respond to opposite control logic as shown in the Truth Table. The DG413 has two normally open and two normally closed switches.

## FEATURES

- Halogen-free according to IEC 61249-2-21 Definition
- 44 V supply max. rating
- $\pm 15$  V analog signal range
- On-resistance -  $R_{DS(on)}$ : 25  $\Omega$
- Fast switching -  $t_{ON}$ : 110 ns
- Ultra low power -  $P_D$ : 0.35  $\mu$ W
- TTL, CMOS compatible
- Single supply capability
- Compliant to RoHS Directive 2002/95/EC



**RoHS**  
COMPLIANT  
HALOGEN  
**FREE**

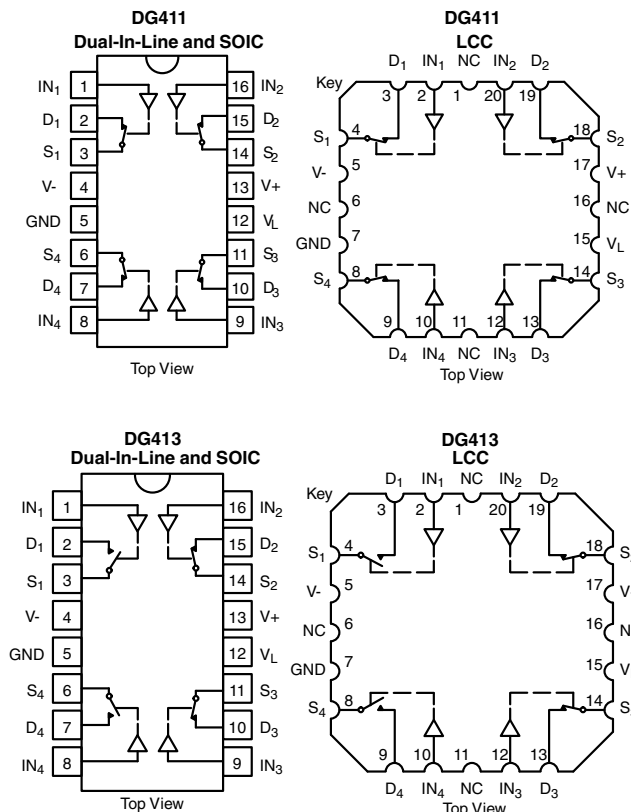
## BENEFITS

- Widest dynamic range
- Low signal errors and distortion
- Break-before-make switching action
- Simple interfacing

## APPLICATIONS

- Precision automatic test equipment
- Precision data acquisition
- Communication systems
- Battery powered systems
- Computer peripherals

## FUNCTIONAL BLOCK DIAGRAM AND PIN CONFIGURATION



| TRUTH TABLE |       |       |
|-------------|-------|-------|
| Logic       | DG411 | DG412 |
| 0           | ON    | OFF   |
| 1           | OFF   | ON    |

Logic "0"  $\leq 0.8$  V  
Logic "1"  $\geq 2.4$  V

| TRUTH TABLE |                                   |                                   |
|-------------|-----------------------------------|-----------------------------------|
| Logic       | SW <sub>1</sub> , SW <sub>4</sub> | SW <sub>2</sub> , SW <sub>3</sub> |
| 0           | OFF                               | ON                                |
| 1           | ON                                | OFF                               |

Logic "0"  $\leq 0.8$  V  
Logic "1"  $\geq 2.4$  V



| ORDERING INFORMATION |                    |  |
|----------------------|--------------------|--|
| Temp. Range          | Package            | Part Number  |
| - 40 °C to 85 °C     | 16-pin plastic DIP | DG411DJ<br>DG411DJ-E3                                |
|                      |                    | DG412DJ<br>DG412DJ-E3                                |
|                      |                    | DG413DJ<br>DG413DJ-E3                                |
|                      | 16-pin narrow SOIC | DG411DY<br>DG411DY-E3<br>DG411DY-T1<br>DG411DY-T1-E3 |
|                      |                    | DG412DY<br>DG412DY-E3<br>DG412DY-T1<br>DG412DY-T1-E3 |
|                      |                    | DG413DY<br>DG413DY-E3<br>DG413DY-T1<br>DG413DY-T1-E3 |
|                      | 16-pin TSSOP       | DG411DQ-E3<br>DG411DQ-T1-E3                          |
|                      |                    | DG412DQ-E3<br>DG412DQ-T1-E3                          |
|                      |                    | DG413DQ-E3<br>DG413DQ-T1-E3                          |

| ABSOLUTE MAXIMUM RATINGS                                      |   |      |
|---|---|------|
| Parameter   | Limit   | Unit |
| V + to V -  | 44  | V    |
| GND to V -  | 25  |      |
| V <sub>L</sub>  | (GND - 0.3) to (V+) + 0.3                               |      |
| Digital Inputs <sup>a</sup> , V <sub>S</sub> , V <sub>D</sub> | (V-) -2 to (V+) + 2<br>or 30 mA, whichever occurs first |      |
| Continuous Current (Any terminal)                             | 30  | mA   |
| Peak Current, S or D (Pulsed at 1 ms, 10 % duty cycle)        | 100   |      |
| Storage Temperature   | (AK, AZ suffix)   | °C   |
|   | (DJ, DY suffix)   |      |
| Power Dissipation (Package) <sup>b</sup>                      | 16-pin plastic DIP <sup>c</sup>                         | mW   |
|   | 16-pin narrow SOIC <sup>d</sup>                         |      |
|   | 16-pin CerDIP <sup>e</sup>                              |      |
|   | LCC-20 <sup>e</sup>                                     |      |

Notes:

- a. Signals on S<sub>x</sub>, D<sub>x</sub>, or IN<sub>x</sub> exceeding V + or V - will be clamped by internal diodes. Limit forward diode current to maximum current ratings.
- b. All leads welded or soldered to PC board.
- c. Derate 6 mW/°C above 25 °C.
- d. Derate 7.6 mW/°C above 75 °C.
- e. Derate 12 mW/°C above 75 °C.



| SPECIFICATIONS <sup>a</sup>               |                     |   |                    |                   |                               |                   |                              |                   |      |
|---|---------------------|---|--------------------|-------------------|-------------------------------|-------------------|------------------------------|-------------------|------|
| Parameter                                 | Symbol              | Test Conditions<br>Unless Specified<br>V <sub>+</sub> = 15 V, V <sub>-</sub> = -15 V<br>V <sub>L</sub> = 5 V, V <sub>IN</sub> = 2.4 V, 0.8 V <sup>f</sup> | Temp. <sup>b</sup> | Typ. <sup>c</sup> | A Suffix<br>- 55 °C to 125 °C |                   | D Suffix<br>- 40 °C to 85 °C |                   | Unit |
|   |                     |   |                    |                   | Min. <sup>d</sup>             | Max. <sup>d</sup> | Min. <sup>d</sup>            | Max. <sup>d</sup> |      |
| <b>Analog Switch</b>                      |                     |   |                    |                   |                               |                   |                              |                   |      |
| Analog Signal Range <sup>e</sup>          | V <sub>ANALOG</sub> |   | Full               |                   | - 15                          | 15                | - 15                         | 15                | V    |
| Drain-Source On-Resistance                | R <sub>DS(on)</sub> | V <sub>+</sub> = 13.5 V, V <sub>-</sub> = -13.5 V<br>I <sub>S</sub> = -10 mA, V <sub>D</sub> = ± 8.5 V  | Room Full          | 25                |                               | 35<br>45          |                              | 35<br>45          | Ω    |
| Switch Off Leakage Current                | I <sub>S(off)</sub> | V <sub>+</sub> = 16.5 V, V <sub>-</sub> = -16.5 V<br>V <sub>D</sub> = ± 15.5 V, V <sub>S</sub> = ± 15.5 V   | Room Full          | ± 0.1             | - 0.25<br>- 20                | 0.25<br>20        | - 0.25<br>- 5                | 0.25<br>5         | nA   |
|   | I <sub>D(off)</sub> |   | Room Full          | ± 0.1             | - 0.25<br>- 20                | 0.25<br>20        | - 0.25<br>- 5                | 0.25<br>5         |      |
| Channel On Leakage Current                | I <sub>D(on)</sub>  | V <sub>+</sub> = 16.5 V, V <sub>-</sub> = -16.5 V<br>V <sub>S</sub> = V <sub>D</sub> = ± 15.5 V   | Room Full          | ± 0.1             | - 0.4<br>- 40                 | 0.4<br>40         | - 0.4<br>- 10                | 0.4<br>10         |      |
| <b>Digital Control</b>                    |                     |   |                    |                   |                               |                   |                              |                   |      |
| Input Current, V <sub>IN</sub> Low        | I <sub>IL</sub>     | V <sub>IN</sub> under test = 0.8 V  | Full               | 0.005             | - 0.5                         | 0.5               | - 0.5                        | 0.5               | μA   |
| Input Current, V <sub>IN</sub> High       | I <sub>IH</sub>     | V <sub>IN</sub> under test = 2.4 V  | Full               | 0.005             | - 0.5                         | 0.5               | - 0.5                        | 0.5               |      |
| <b>Dynamic Characteristics</b>            |                     |   |                    |                   |                               |                   |                              |                   |      |
| Turn-On Time                              | t <sub>ON</sub>     | R <sub>L</sub> = 300 Ω, C <sub>L</sub> = 35 pF<br>V <sub>S</sub> = ± 10 V, see figure 2   | Room Full          | 110               |                               | 175<br>240        |                              | 175<br>220        | ns   |
| Turn-Off Time                             | t <sub>OFF</sub>    |   | Room Full          | 100               |                               | 145<br>160        |                              | 145<br>160        |      |
| Break-Before-Make Time Delay              | t <sub>D</sub>      | DG413 only, V <sub>S</sub> = 10 V<br>R <sub>L</sub> = 300 Ω, C <sub>L</sub> = 35 pF   | Room               | 25                |                               |                   |                              |                   |      |
| Charge Injection                          | Q                   | V <sub>g</sub> = 0 V, R <sub>g</sub> = 0 Ω<br>C <sub>L</sub> = 10 nF  | Room               | 5                 |                               |                   |                              |                   | pC   |
| Off Isolation <sup>e</sup>                | OIRR                | R <sub>L</sub> = 50 Ω, C <sub>L</sub> = 5 pF,<br>f = 1 MHz  | Room               | 68                |                               |                   |                              |                   | dB   |
| Channel-to-Channel Crosstalk <sup>e</sup> | X <sub>TALK</sub>   |   | Room               | 85                |                               |                   |                              |                   |      |
| Source Off Capacitance <sup>e</sup>       | C <sub>S(off)</sub> | f = 1 MHz   | Room               | 9                 |                               |                   |                              |                   | pF   |
| Drain Off Capacitance <sup>e</sup>        | C <sub>D(off)</sub> |   | Room               | 9                 |                               |                   |                              |                   |      |
| Channel On Capacitance <sup>e</sup>       | C <sub>D(on)</sub>  |   | Room               | 35                |                               |                   |                              |                   |      |
| <b>Power Supplies</b>                     |                     |   |                    |                   |                               |                   |                              |                   |      |
| Positive Supply Current                   | I <sub>+</sub>      | V <sub>+</sub> = 16.5 V, V <sub>-</sub> = -16.5 V<br>V <sub>IN</sub> = 0 V or 5 V   | Room Full          | 0.0001            |                               | 1<br>5            |                              | 1<br>5            | μA   |
| Negative Supply Current                   | I <sub>-</sub>      |   | Room Full          | - 0.0001          | - 1<br>- 5                    |                   | - 1<br>- 5                   |                   |      |
| Logic Supply Current                      | I <sub>L</sub>      |   | Room Full          | 0.0001            |                               | 1<br>5            |                              | 1<br>5            |      |
| Ground Current                            | I <sub>GND</sub>    |   | Room Full          | - 0.0001          | - 1<br>- 5                    |                   | - 1<br>- 5                   |                   |      |

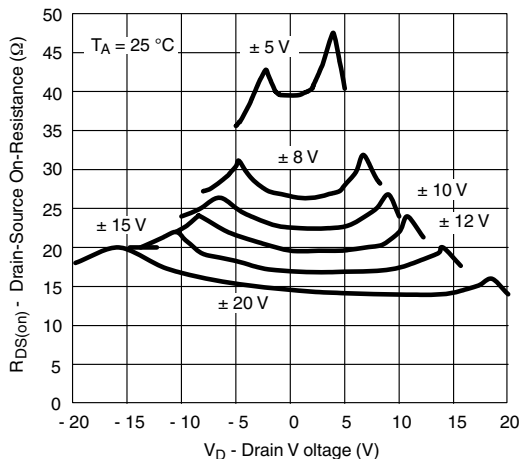
| SPECIFICATIONS <sup>a</sup> (for Unipolar Supplies) |                     |   |                    |                   |                               |                   |                              |                   |      |
|---|---------------------|---|--------------------|-------------------|-------------------------------|-------------------|------------------------------|-------------------|------|
| Parameter   | Symbol              | Test Conditions<br>Unless Specified<br>V <sub>+</sub> = 12 V, V <sub>-</sub> = 0 V<br>V <sub>L</sub> = 5 V, V <sub>IN</sub> = 2.4 V, 0.8 V <sup>f</sup> | Temp. <sup>b</sup> | Typ. <sup>c</sup> | A Suffix<br>- 55 °C to 125 °C |                   | D Suffix<br>- 40 °C to 85 °C |                   | Unit |
|   |                     |   |                    |                   | Min. <sup>d</sup>             | Max. <sup>d</sup> | Min. <sup>d</sup>            | Max. <sup>d</sup> |      |
| <b>Analog Switch</b>                                |                     |   |                    |                   |                               |                   |                              |                   |      |
| Analog Signal Range <sup>e</sup>                    | V <sub>ANALOG</sub> |   | Full               |                   |                               | 12                |                              | 12                | V    |
| Drain-Source On-Resistance                          | R <sub>DS(on)</sub> | V <sub>+</sub> = 10.8 V,<br>I <sub>S</sub> = - 10 mA, V <sub>D</sub> = 3 V, 8 V   | Room<br>Full       | 40                |                               | 80<br>100         |                              | 80<br>100         | Ω    |
| <b>Dynamic Characteristics</b>                      |                     |   |                    |                   |                               |                   |                              |                   |      |
| Turn-On Time  | t <sub>ON</sub>     | R <sub>L</sub> = 300 Ω, C <sub>L</sub> = 35 pF<br>V <sub>S</sub> = 8 V, see figure 2  | Room<br>Hot        | 175               |                               | 250<br>400        |                              | 250<br>315        | ns   |
| Turn-Off Time                                       | t <sub>OFF</sub>    |   | Room<br>Hot        | 95                |                               | 125<br>140        |                              | 125<br>140        |      |
| Break-Before-Make Time Delay                        | t <sub>D</sub>      | DG413 only, V <sub>S</sub> = 8 V<br>R <sub>L</sub> = 300 Ω, C <sub>L</sub> = 35 pF  | Room               | 25                |                               |                   |                              |                   |      |
| Charge Injection                                    | Q                   | V <sub>g</sub> = 6 V, R <sub>g</sub> = 0 Ω, C <sub>L</sub> = 10 nF  | Room               | 25                |                               |                   |                              |                   | pC   |
| <b>Power Supplies</b>                               |                     |   |                    |                   |                               |                   |                              |                   |      |
| Positive Supply Current                             | I <sub>+</sub>      | V <sub>+</sub> = 13.5 V, V <sub>IN</sub> = 0 V or 5 V   | Room<br>Hot        | 0.0001            |                               | 1<br>5            |                              | 1<br>5            | μA   |
| Negative Supply Current                             | I <sub>-</sub>      |   | Room<br>Hot        | - 0.0001          | - 1<br>- 5                    |                   | - 1<br>- 5                   |                   |      |
| Logic Supply Current                                | I <sub>L</sub>      |   | Room<br>Hot        | 0.0001            |                               | 1<br>5            |                              | 1<br>5            |      |
| Ground Current                                      | I <sub>GND</sub>    |   | Room<br>Hot        | - 0.0001          | - 1<br>- 5                    |                   | - 5                          |                   |      |

**Notes:**

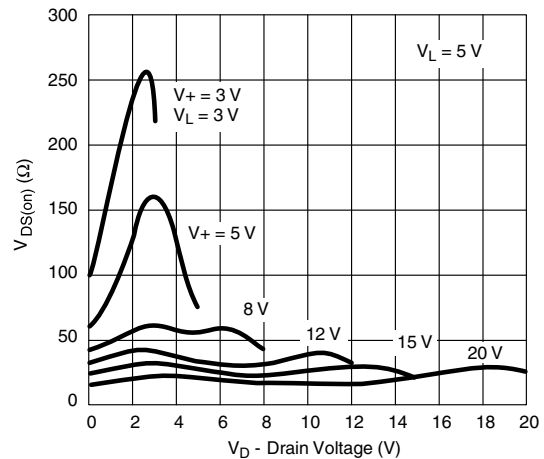
- a. Refer to process option flowchart.
- b. Room = 25 °C, Full = as determined by the operating temperature suffix.
- c. Typical values are for DESIGN AID ONLY, not guaranteed nor subject to production testing.
- d. The algebraic convention whereby the most negative value is a minimum and the most positive a maximum, is used in this data sheet.
- e. Guaranteed by design, not subject to production test.
- f. V<sub>IN</sub> = input voltage to perform proper function.

Stresses beyond those listed under "Absolute Maximum Ratings" may cause permanent damage to the device. These are stress ratings only, and functional operation of the device at these or any other conditions beyond those indicated in the operational sections of the specifications is not implied. Exposure to absolute maximum rating conditions for extended periods may affect device reliability.

### TYPICAL CHARACTERISTICS (25 °C, unless otherwise noted)

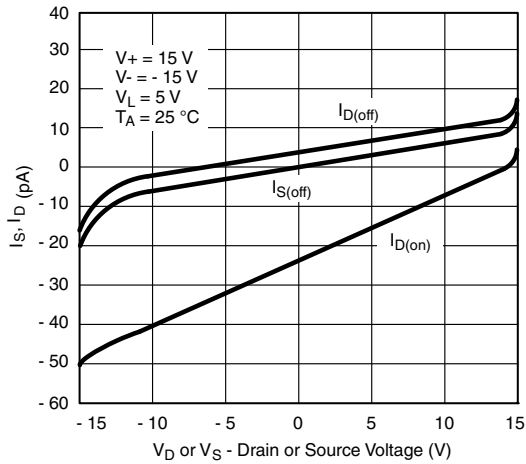


On-Resistance vs. V<sub>D</sub> and Power Supply Voltage

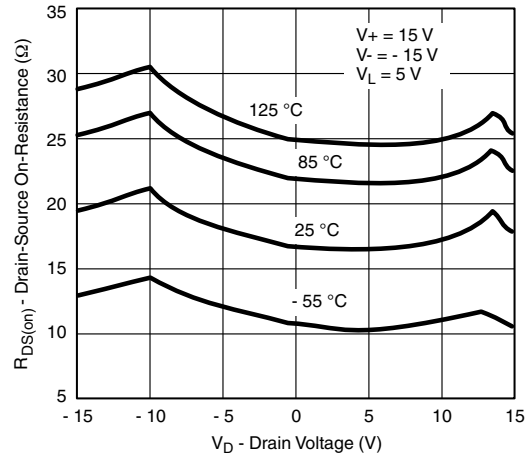


On-Resistance vs. V<sub>D</sub> and Unipolar Supply Voltage

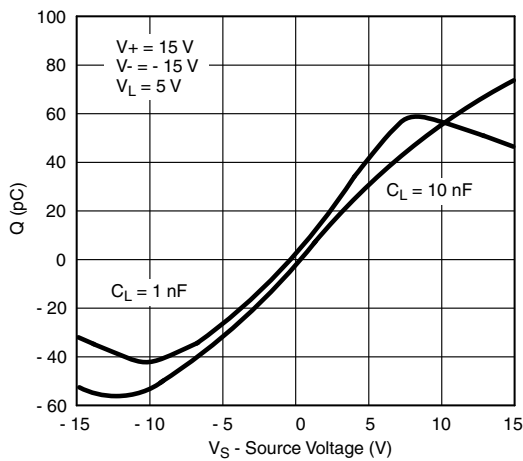
## TYPICAL CHARACTERISTICS (25 °C, unless otherwise noted)



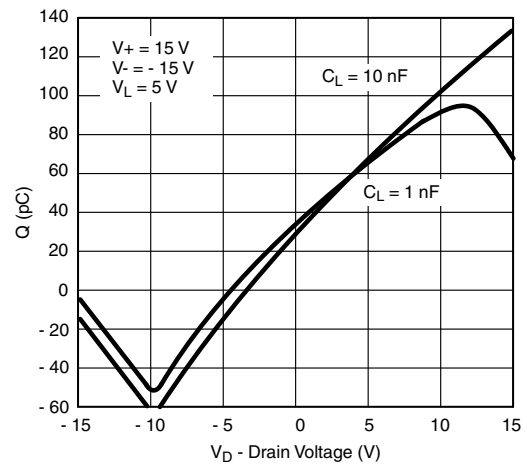
Leakage Current vs. Analog Voltage



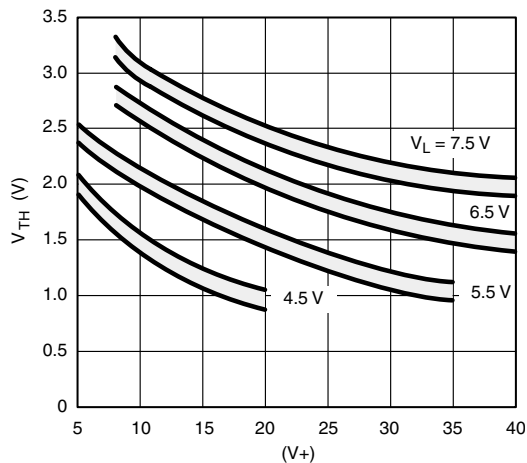
$I_D, I_S$  Leakages vs. Temperature



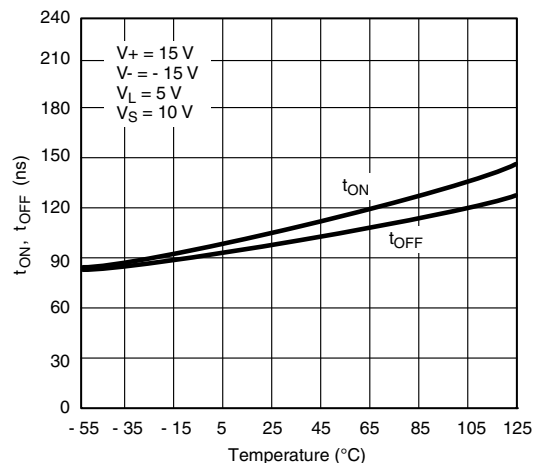
Charge Injection vs. Analog Voltage



Charge Injection vs. Analog Voltage

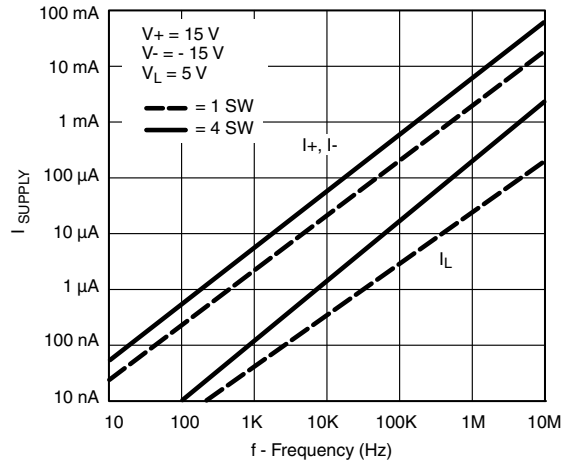


Input Switching Threshold vs. Supply Voltage



Switching Time vs. Temperature

## TYPICAL CHARACTERISTICS (25 °C, unless otherwise noted)



Supply Current vs. Input Switching Frequency

## SCHEMATIC DIAGRAM (Typical Channel)

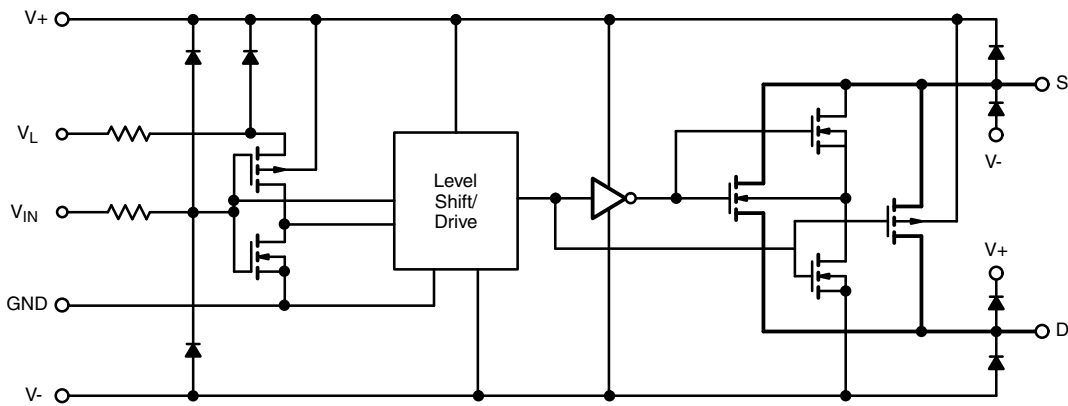
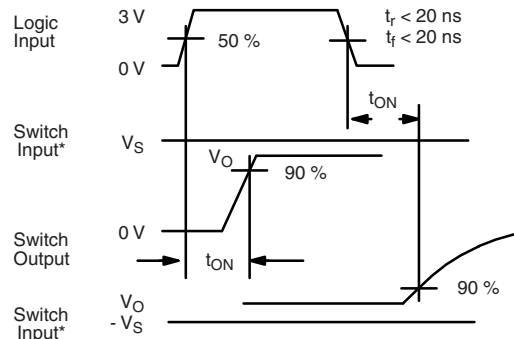
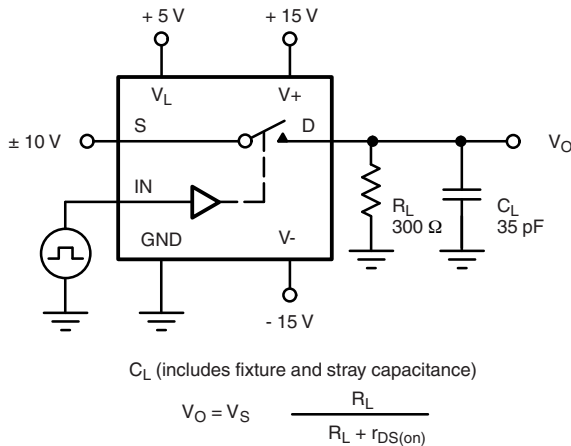


Figure 1.

## TEST CIRCUITS



\*  $V_S = 10\text{ V}$  for  $t_{ON}$ ,  $V_S = -10\text{ V}$  for  $t_{OFF}$

Note: Logic input waveform is inverted for switches that have the opposite logic sense control

Figure 2. Switching Time

## TEST CIRCUITS

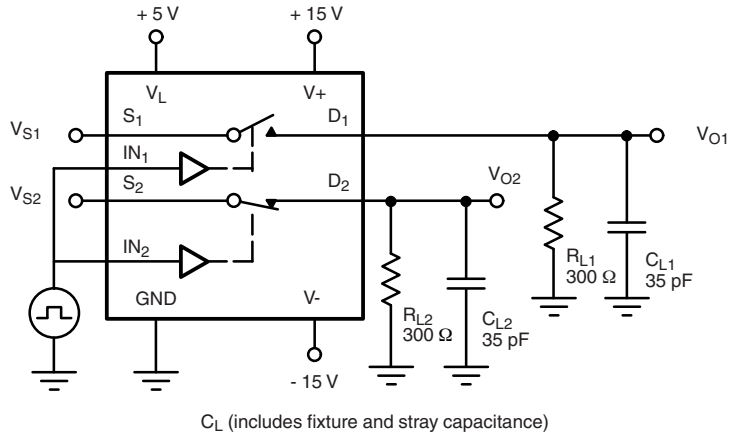
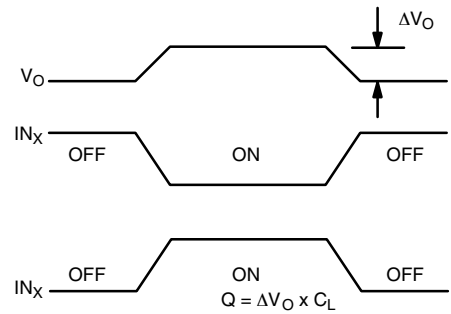
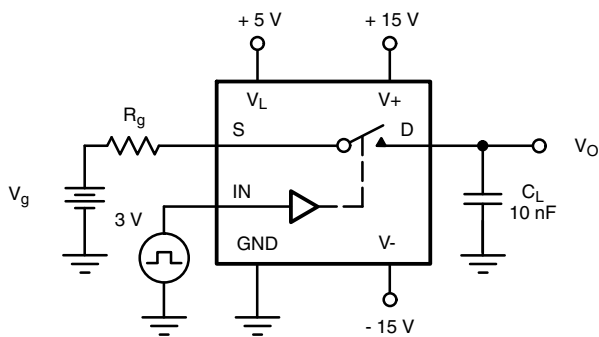
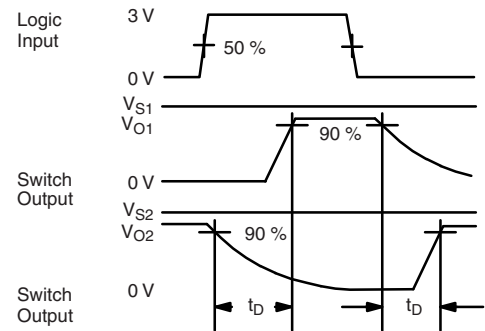


Figure 3. Break-Before-Make (DG413)



IN<sub>X</sub> dependent on switch configuration Input polarity determined by sense of switch.

Figure 4. Charge Injection

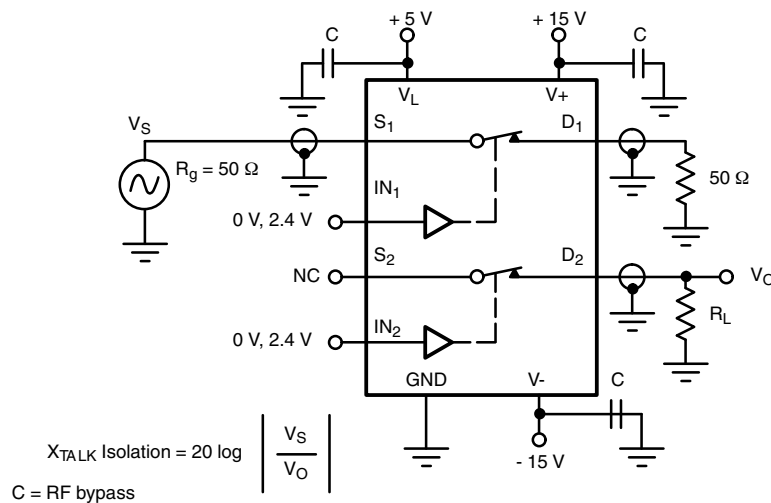


Figure 5. Crosstalk

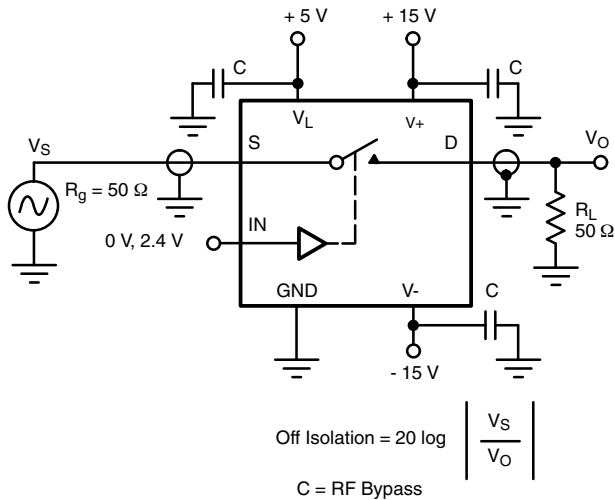


Figure 6. Off Isolation

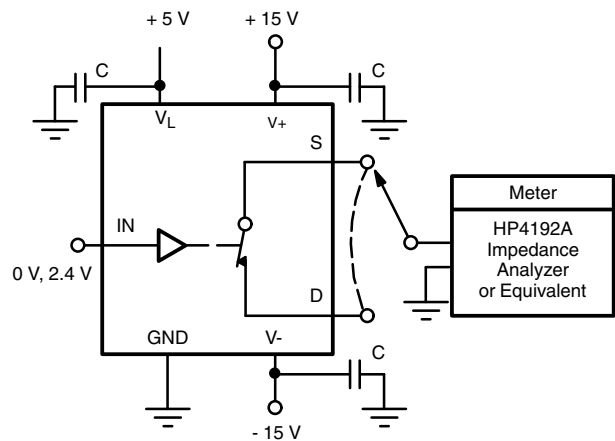


Figure 7. Source/Drain Capacitances

## APPLICATIONS

### Single Supply Operation:

The DG411, DG412, DG413 can be operated with unipolar supplies from 5 V to 44 V. These devices are characterized and tested for unipolar supply operation at 12 V to facilitate the majority of applications. In single supply operation, V+ is tied to VL and V- is tied to 0 V. See Input Switching Threshold vs. Supply Voltage curve for VL versus input threshold requirements.

### Summing Amplifier

When driving a high impedance, high capacitance load such as shown in figure 8, where the inputs to the summing amplifier have some noise filtering, it is necessary to have shunt switches for rapid discharge of the filter capacitor, thus preventing offsets from occurring at the output.

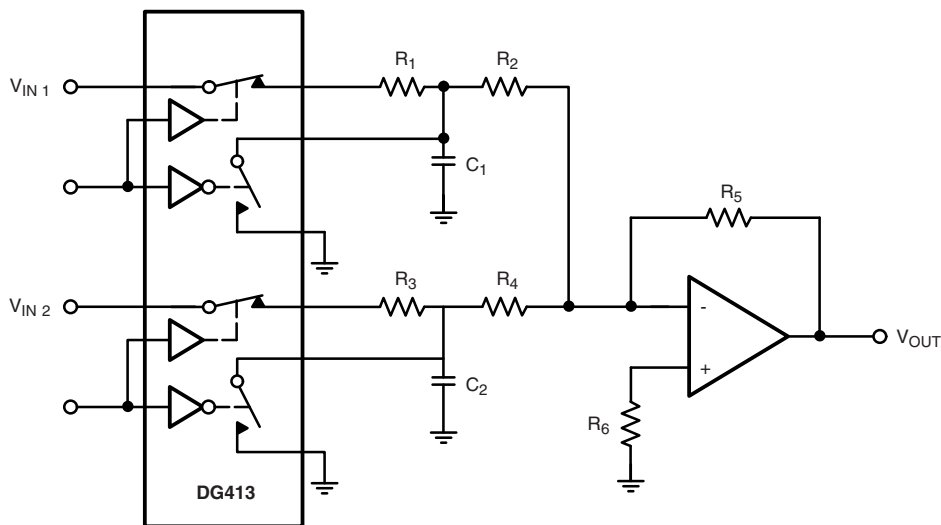


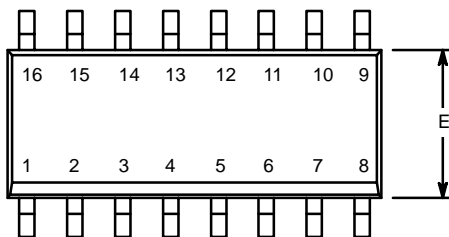
Figure 8. Summing Amplifier

Vishay Siliconix maintains worldwide manufacturing capability. Products may be manufactured at one of several qualified locations. Reliability data for Silicon Technology and Package Reliability represent a composite of all qualified locations. For related documents such as package/tape drawings, part marking, and reliability data, see [www.vishay.com/ppg?70050](http://www.vishay.com/ppg?70050).



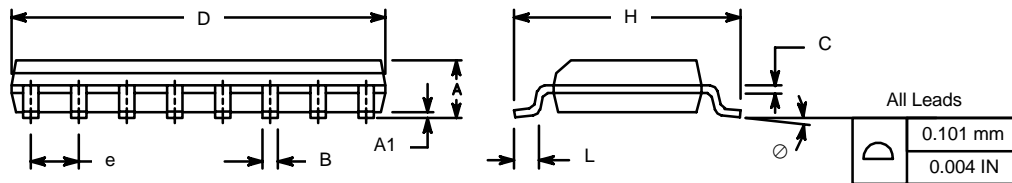


**SOIC (NARROW): 16-LEAD**  
JEDEC Part Number: MS-012

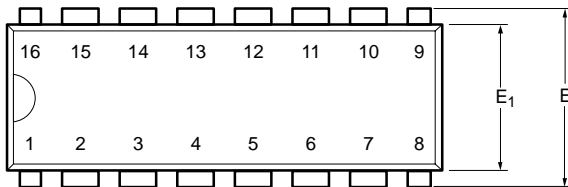


| Dim            | MILLIMETERS |       | INCHES    |       |
|----------------|-------------|-------|-----------|-------|
|                | Min         | Max   | Min       | Max   |
| A              | 1.35        | 1.75  | 0.053     | 0.069 |
| A <sub>1</sub> | 0.10        | 0.20  | 0.004     | 0.008 |
| B              | 0.38        | 0.51  | 0.015     | 0.020 |
| C              | 0.18        | 0.23  | 0.007     | 0.009 |
| D              | 9.80        | 10.00 | 0.385     | 0.393 |
| E              | 3.80        | 4.00  | 0.149     | 0.157 |
| e              | 1.27 BSC    |       | 0.050 BSC |       |
| H              | 5.80        | 6.20  | 0.228     | 0.244 |
| L              | 0.50        | 0.93  | 0.020     | 0.037 |
| ∅              | 0°          | 8°    | 0°        | 8°    |

ECN: S-03946—Rev. F, 09-Jul-01  
DWG: 5300



### PDIP: 16-LEAD

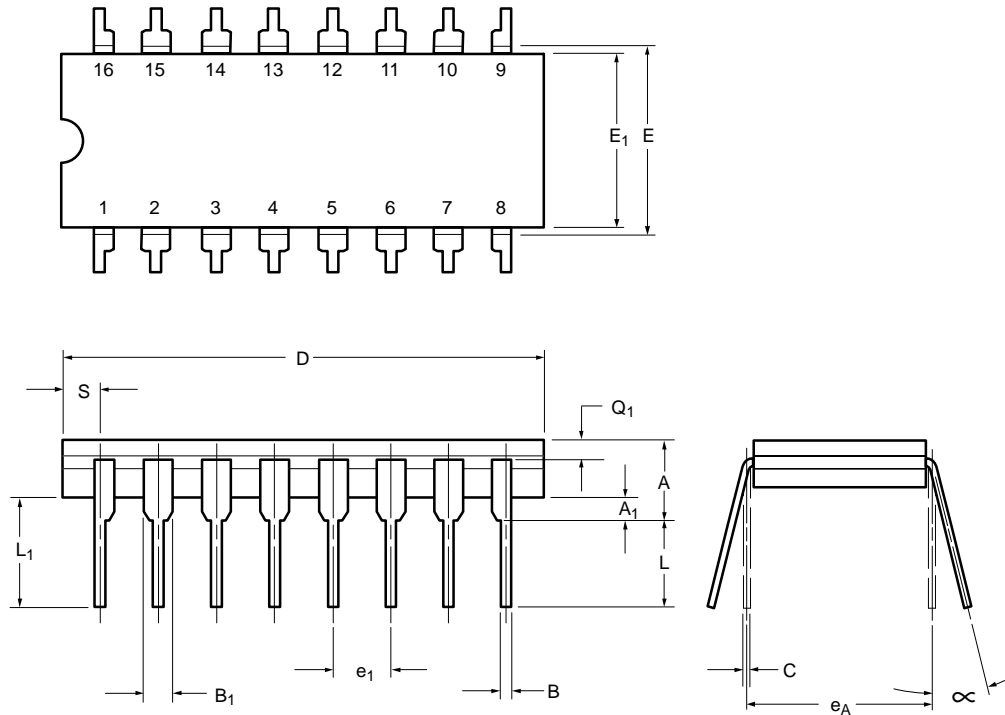


| Dim                  | MILLIMETERS |       | INCHES |       |
|----------------------|-------------|-------|--------|-------|
|                      | Min         | Max   | Min    | Max   |
| <b>A</b>             | 3.81        | 5.08  | 0.150  | 0.200 |
| <b>A<sub>1</sub></b> | 0.38        | 1.27  | 0.015  | 0.050 |
| <b>B</b>             | 0.38        | 0.51  | 0.015  | 0.020 |
| <b>B<sub>1</sub></b> | 0.89        | 1.65  | 0.035  | 0.065 |
| <b>C</b>             | 0.20        | 0.30  | 0.008  | 0.012 |
| <b>D</b>             | 18.93       | 21.33 | 0.745  | 0.840 |
| <b>E</b>             | 7.62        | 8.26  | 0.300  | 0.325 |
| <b>E<sub>1</sub></b> | 5.59        | 7.11  | 0.220  | 0.280 |
| <b>e<sub>1</sub></b> | 2.29        | 2.79  | 0.090  | 0.110 |
| <b>e<sub>A</sub></b> | 7.37        | 7.87  | 0.290  | 0.310 |
| <b>L</b>             | 2.79        | 3.81  | 0.110  | 0.150 |
| <b>Q<sub>1</sub></b> | 1.27        | 2.03  | 0.050  | 0.080 |
| <b>S</b>             | 0.38        | 1.52  | .015   | 0.060 |

ECN: S-03946—Rev. D, 09-Jul-01  
DWG: 5482



**CERDIP: 16-LEAD**

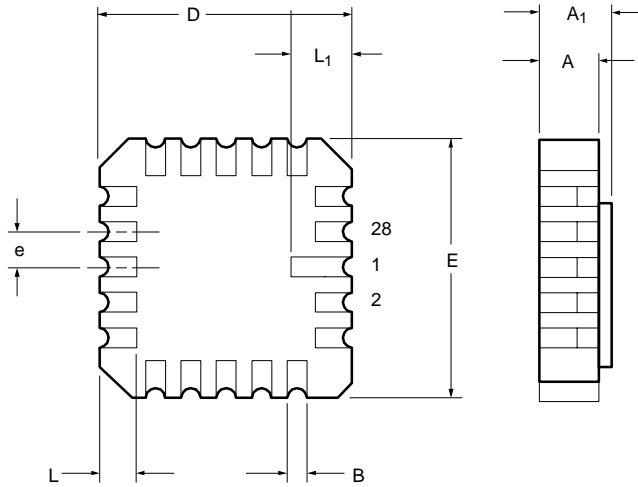


| Dim            | MILLIMETERS |       | INCHES    |       |
|----------------|-------------|-------|-----------|-------|
|                | Min         | Max   | Min       | Max   |
| A              | 4.06        | 5.08  | 0.160     | 0.200 |
| A <sub>1</sub> | 0.51        | 1.14  | 0.020     | 0.045 |
| B              | 0.38        | 0.51  | 0.015     | 0.020 |
| B <sub>1</sub> | 1.14        | 1.65  | 0.045     | 0.065 |
| C              | 0.20        | 0.30  | 0.008     | 0.012 |
| D              | 19.05       | 19.56 | 0.750     | 0.770 |
| E              | 7.62        | 8.26  | 0.300     | 0.325 |
| E <sub>1</sub> | 6.60        | 7.62  | 0.260     | 0.300 |
| e <sub>1</sub> | 2.54 BSC    |       | 0.100 BSC |       |
| e <sub>A</sub> | 7.62 BSC    |       | 0.300 BSC |       |
| L              | 3.18        | 3.81  | 0.125     | 0.150 |
| L <sub>1</sub> | 3.81        | 5.08  | 0.150     | 0.200 |
| Q <sub>1</sub> | 1.27        | 2.16  | 0.050     | 0.085 |
| S              | 0.38        | 1.14  | 0.015     | 0.045 |
| ∞              | 0°          | 15°   | 0°        | 15°   |

ECN: S-03946—Rev. G, 09-Jul-01  
DWG: 5403

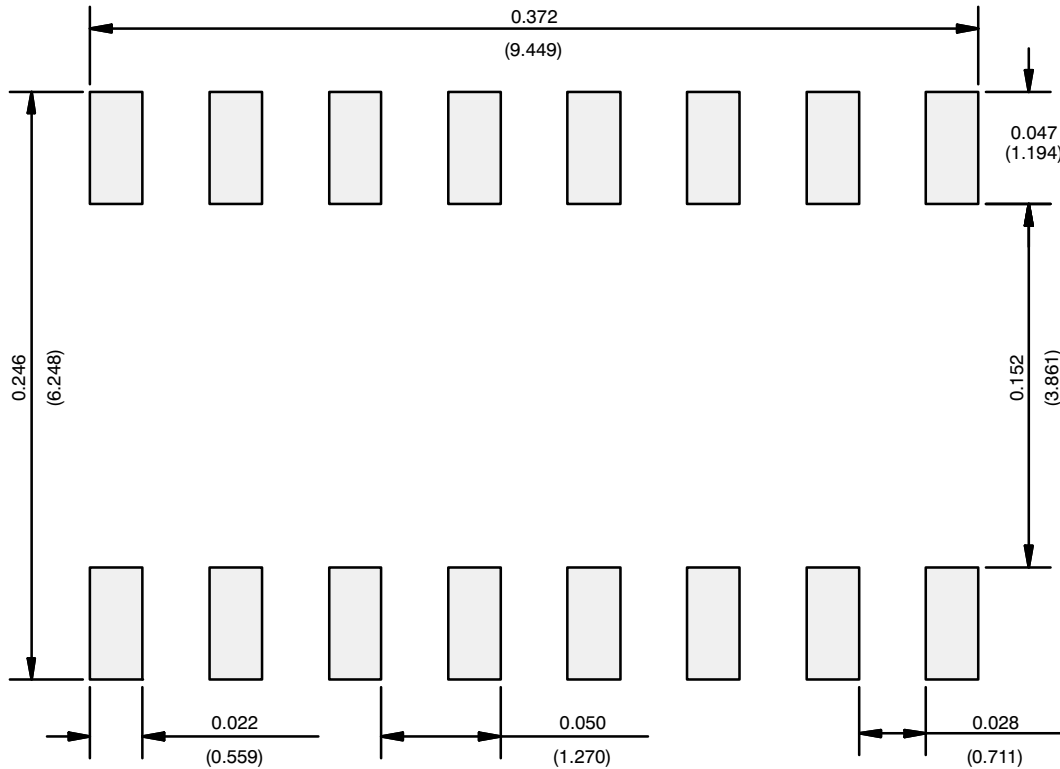


**20-LEAD LCC**



| Dim   | MILLIMETERS |      | INCHES    |       |
|---|-------------|------|-----------|-------|
|   | Min         | Max  | Min       | Max   |
| <b>A</b>                                    | 1.37        | 2.24 | 0.054     | 0.088 |
| <b>A<sub>1</sub></b>                        | 1.63        | 2.54 | 0.064     | 0.100 |
| <b>B</b>                                    | 0.56        | 0.71 | 0.022     | 0.028 |
| <b>D</b>                                    | 8.69        | 9.09 | 0.342     | 0.358 |
| <b>E</b>                                    | 8.69        | 9.09 | 0.442     | 0.358 |
| <b>e</b>                                    | 1.27 BSC    |      | 0.050 BSC |       |
| <b>L</b>                                    | 1.14        | 1.40 | 0.045     | 0.055 |
| <b>L<sub>1</sub></b>                        | 1.96        | 2.36 | 0.077     | 0.093 |
| ECN: S-03946—Rev. B, 09-Jul-01<br>DWG: 5321 |             |      |           |       |

## RECOMMENDED MINIMUM PADS FOR SO-16



Recommended Minimum Pads  
Dimensions in Inches/(mm)

[Return to Index](#)



## Disclaimer

ALL PRODUCT, PRODUCT SPECIFICATIONS AND DATA ARE SUBJECT TO CHANGE WITHOUT NOTICE TO IMPROVE RELIABILITY, FUNCTION OR DESIGN OR OTHERWISE.

Vishay Intertechnology, Inc., its affiliates, agents, and employees, and all persons acting on its or their behalf (collectively, "Vishay"), disclaim any and all liability for any errors, inaccuracies or incompleteness contained in any datasheet or in any other disclosure relating to any product.

Vishay makes no warranty, representation or guarantee regarding the suitability of the products for any particular purpose or the continuing production of any product. To the maximum extent permitted by applicable law, Vishay disclaims (i) any and all liability arising out of the application or use of any product, (ii) any and all liability, including without limitation special, consequential or incidental damages, and (iii) any and all implied warranties, including warranties of fitness for particular purpose, non-infringement and merchantability.

Statements regarding the suitability of products for certain types of applications are based on Vishay's knowledge of typical requirements that are often placed on Vishay products in generic applications. Such statements are not binding statements about the suitability of products for a particular application. It is the customer's responsibility to validate that a particular product with the properties described in the product specification is suitable for use in a particular application. Parameters provided in datasheets and/or specifications may vary in different applications and performance may vary over time. All operating parameters, including typical parameters, must be validated for each customer application by the customer's technical experts. Product specifications do not expand or otherwise modify Vishay's terms and conditions of purchase, including but not limited to the warranty expressed therein.

Except as expressly indicated in writing, Vishay products are not designed for use in medical, life-saving, or life-sustaining applications or for any other application in which the failure of the Vishay product could result in personal injury or death. Customers using or selling Vishay products not expressly indicated for use in such applications do so at their own risk. Please contact authorized Vishay personnel to obtain written terms and conditions regarding products designed for such applications.

No license, express or implied, by estoppel or otherwise, to any intellectual property rights is granted by this document or by any conduct of Vishay. Product names and markings noted herein may be trademarks of their respective owners.

## Material Category Policy

**Vishay Intertechnology, Inc. hereby certifies that all its products that are identified as RoHS-Compliant fulfill the definitions and restrictions defined under Directive 2011/65/EU of The European Parliament and of the Council of June 8, 2011 on the restriction of the use of certain hazardous substances in electrical and electronic equipment (EEE) - recast, unless otherwise specified as non-compliant.**

**Please note that some Vishay documentation may still make reference to RoHS Directive 2002/95/EC. We confirm that all the products identified as being compliant to Directive 2002/95/EC conform to Directive 2011/65/EU.**

**Vishay Intertechnology, Inc. hereby certifies that all its products that are identified as Halogen-Free follow Halogen-Free requirements as per JEDEC JS709A standards. Please note that some Vishay documentation may still make reference to the IEC 61249-2-21 definition. We confirm that all the products identified as being compliant to IEC 61249-2-21 conform to JEDEC JS709A standards.**