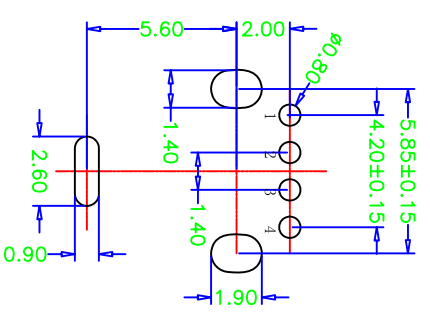
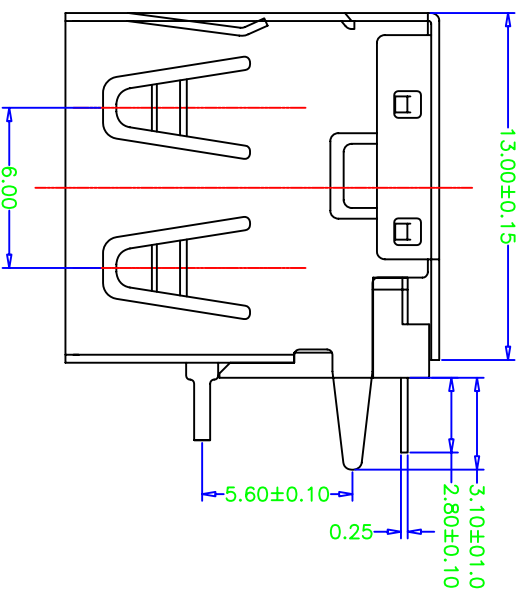
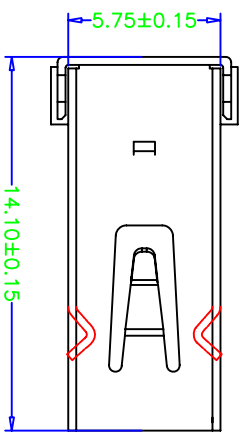
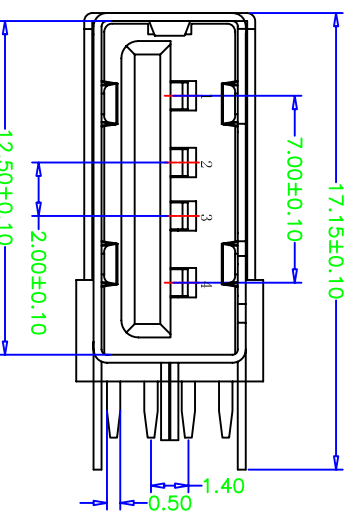
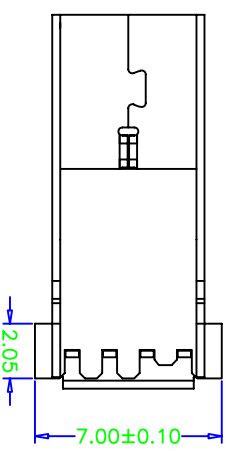


REV	MODIFICATION	DATE
A0	胶芯变更	2013.12.20



RECOMMENDED PCB LAYOUT
GENERAL TOLERANCES: ±0.05

NOTE:

- Material:
Housing: Thermoplastics, UL94V-0 (ROHS, HF)
Contact: Phosphor Bronze C5191-EH/C2680-EH, T=0.25mm
Shell: COPPER ALLOY T=0.30mm
- FINISH:
Contact: 15u" Gold Plated on Contact Area,
80u" Min.Tin Plated on Solder Area
50u" Min.Nickel Underplating Over ALL.
Shell: 50u" Min.Nickel Underplating Over ALL.
- Specification:
 - Rating:
Rated voltage 500V AC/DC. Rated current: 2 A Max.
 - Electrical:
Insulation Resistance(EIA-364-21):
1000MΩ Min. at 500V/DC for 1Minute.
Contact Resistance(EIA-364-23):
30 mΩ Max. at 20mV Max, 50mA
- Dielectric Withstanding Voltage(EIA-364-20):
No discharge, Flashover or breakdown at 500V/AC 1Minute
- Plug extraction force shall be between 1.0kgf and 2.00kgf

Contact finish:

- Selective Gold Flash
- Selective Gold 3U"
- Selective Gold 5U"
- Selective Gold 15U"
- Selective Gold 30U"

产品图
PRODUCT CHART DWG

公差一览表		单位	MM	制图	制料号
TOLERANCE	UNLESS OTHERWISE	UNITS		DRAWING	PRODUCT PART NO.
X	±0.25	X	±5.°	审核	PRODUCT NAME
X	±0.20	X	±2.°	核准	PRODUCT NO.
.XX	±0.15	.XX	±1.°	日期	角法
.XXX	±0.10	.XXX	±0.5°	DATE	REV
				2013.12.20	版本
				APPD	REV
					A0

