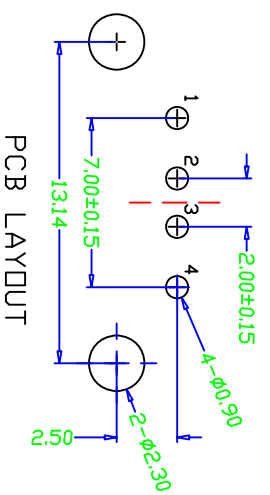
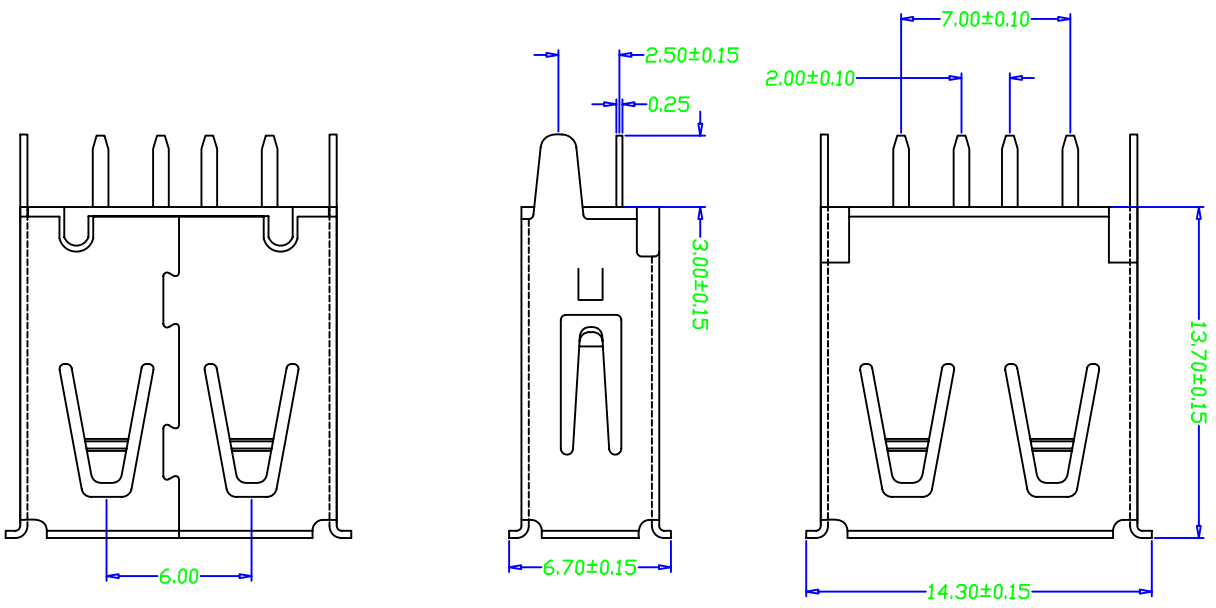


MAPX	MODIFICATION	DATE
------	--------------	------

NOTES:  
 1. HOUSING: SEE NOTES, UJ94V-0.  
 TERMINAL: SEE NOTES.  
 SHELL: SEE NOTES.

SPECIFICATION:  
 1. ELECTRICAL CHARACTERISTIC:  
 CONTACT RESISTANCE: 30MΩ MAX  
 DIELECTRIC WITHSTANDING VOLTAGE: 500V AC FOR 1MIN  
 INSULATION RESISTANCE: 1000MΩ MIN  
 2. MECHANICAL CHARACTERISTIC:  
 INSERTION FORCE: 35N(3.57KGF) MAX  
 EXTRACTON FORCE: 10~35N(1.02~3.57KGF)MIN  
 DURABILITY: 1500 CYCLES EXTRACTON FORCE: 10~35N  
 5000 CYCLES MIN

3. ENVIRONMENTAL:  
 OPERATING TEMPERATURE: -55°C+85°C  
 4. Contact finish:  
 01: Selective Gold Flash  
 02: Selective Gold 3U"  
 03: Selective Gold 5U"  
 04: Selective Gold 15U"  
 05: Selective Gold 30U"



产品图  
 PRODUCT CHART DWG

公差一览表		单位	MM	制图	Z-Y-B	制图料号
TOLERANCE UNLESS OTHERWISE		UNITS		DRAWING		PRODUCT PART NO.
X. ±0.25	X. ±5°	SCALE	1:1	审核		产品名称
X. ±0.20	X. ±2°	比例		CHKD		PRODUCT NO.
XX. ±0.15	XX. ±1°	日期	2014.07.24	核准		USB A/F 180度插板式有边 (13.7)
XXX. ±0.10	XXX. ±0.5°	DATE		APRD		角法
						VER
						版本
						AD