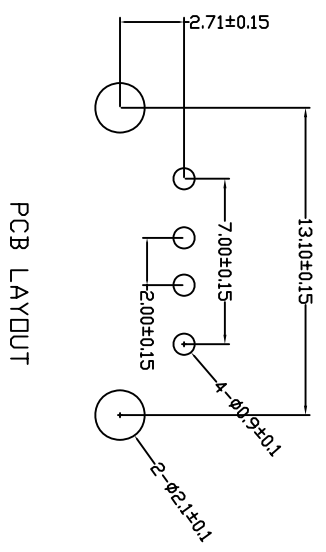
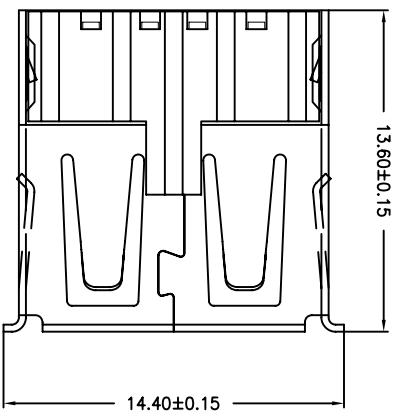
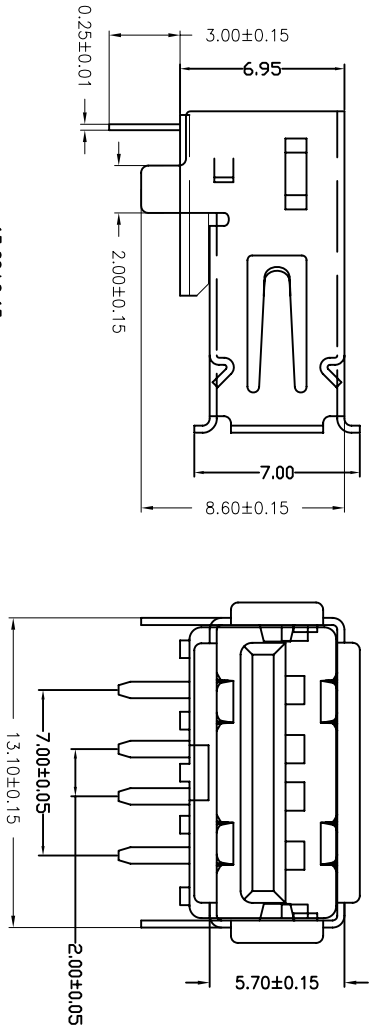


| | | |
|------------|----------------------|------------|
| 目錄 MAPX | 投变内容 MODIFICATION | 日期 DATE |
|------------|----------------------|------------|



备注：侧弹分为外弹与内弹

NOTES:

- Housing: Thermoplastics, UL94V-0
- Contact: Copper Alloy
- Shell: Copper Alloy/Steel
- Voltage Current Rating: 1.5 AMP. 30V AC
- Insulation Resistance: 1000MΩ Min.
- Contact Resistance: 30 MΩ Max.
- Dielectric Withstanding Voltage: 500W AC
- Temperature Range: -35°C to +85°C
- Insulator color: Black/White
- Plastic material: PBT/LCP/Others
- Shell finish: Nickel plated/Tin-Lead plated
- Mechanical:
- Mating Force: 3.5KG MAX
- Umating Force: 0.7 KG MIN.
- Contact finish:
- 01: Selective Gold Flash
- 02: Selective Gold 3U"
- 03: Selective Gold 5U"
- 04: Selective Gold 15U"
- 05: Selective Gold 30U"

产品图
PRODUCT CHART DWG

| | | | | | | | |
|-------------------------------------|-------|-------------|-------|---------------|------------|--------------------------|----------------|
| 公差一览表 TOLERANCE UNLESS OTHERWISE | | 单位 UNITS | MM | 制图 DRAWING | 2-Y-B | 产品料号 PRODUCT PART NO. | |
| X | ±0.25 | X | ±5° | 审核 CHECK | | 产品名称 PRODUCT NAME | USB-AE无后盖短脚8.6 |
| X | ±0.20 | X | ±2° | 核准 APPRO | | 角法 VIEW | ⊙ ⊚ ⊛ |
| XXX | ±0.15 | .XX | ±1° | 日期 DATE | 2013/11/02 | 版本 VER | A0 |
| XXX | ±0.10 | .XXX | ±0.5° | | | | |