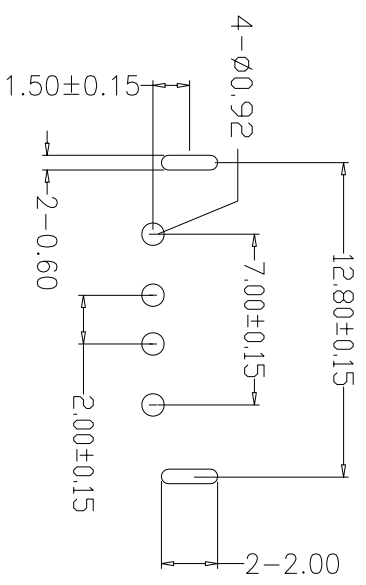
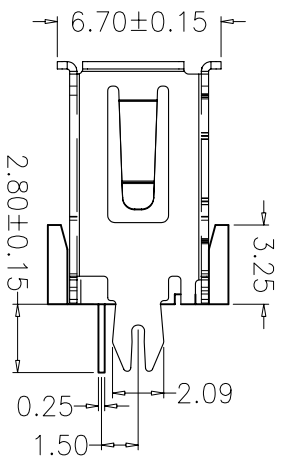
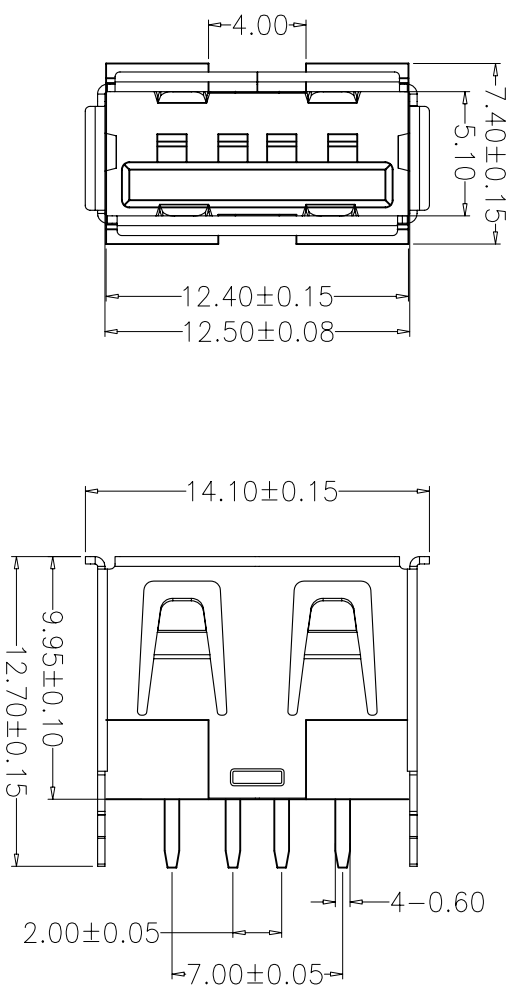


目錄 MAPX	變更內容 MODIFICATION	日期 DATE
------------	----------------------	------------



NOTES:

Housing: Thermoplastics, UL94V-0

Contact: Copper Alloy

Shell: Copper Alloy/Steel

Voltage Current Rating: 1.5 AMP. 30V AC

Insulation Resistance: 1000MΩ Min.

Contact Resistance: 30 MΩ Max.

Dielectric Withstanding Voltage: 500W AC

Temperature Range: -35°C to +85°C

Insulator color: Black/White

Plastic material: PBT/LCP/Others

Shell finish: Nickel plated/Tin-Lead plated

Mechanical:

Mating Force: 3.5KG MAX

Umating Force: 0.7 KG MIN.

Contact finish:

01: Selective Gold Flash

02: Selective Gold 3U”

03: Selective Gold 5U”

04: Selective Gold 15U”

05: Selective Gold 30U”

产品图
PRODUCT CHART DWG

公差一览表 TOLERANCE UNLESS OTHERWISE		单位 UNITS	制图 DRAWING	Z-Y-B	产品料号 PRODUCT PART NO.
X	±0.25	X'	±5'	审核 CHECK	产品名称 PRODUCT NAME
X	±0.20	X'	±2'	核准 APPROV	USB-A(F10.0 180度鱼叉(有边))
XX	±0.15	XX'	±1'	角法 VIEW	版本 VERSION
.XXX	±0.10	.XXX'	±0.5'	日期 DATE	A0
				2013.05.10	