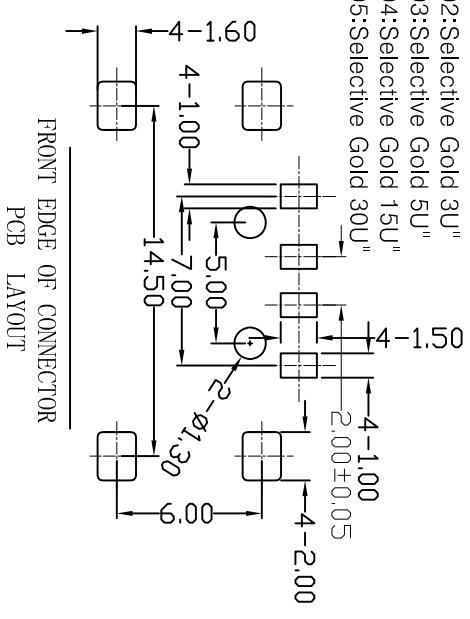
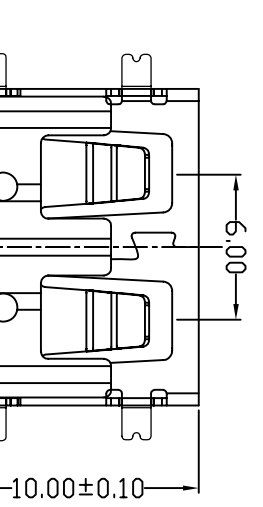
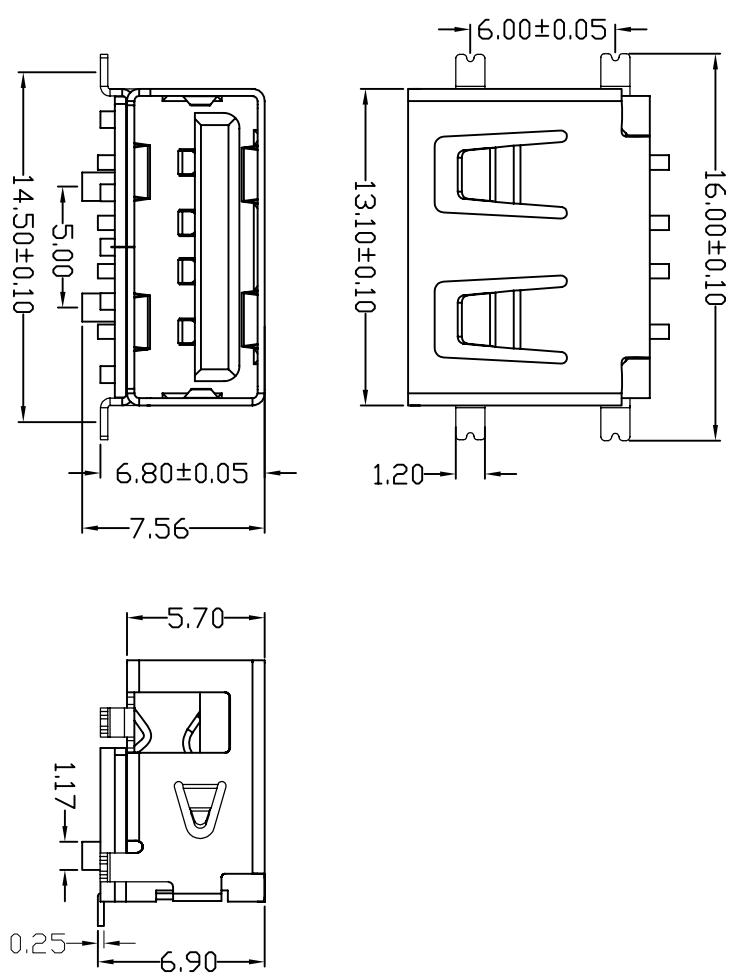


MAPX	MODIFICATION	DATE

NOTES:
 1. HOUSING: SEE NOTES, UL94V-0.
 TERMINAL: SEE NOTES.
 SHELL: SEE NOTES.

SPECIFICATION:
 1. ELECTRICAL CHARACTERISTIC:
 CONTACT RESISTANCE: 30MΩ MAX
 DIELECTRIC WITHSTANDING VOLTAGE: 500V AC FOR 1MIN
 INSULATION RESISTANCE: 1000MΩ MIN
 2. MECHANICAL CHARACTERISTIC:
 INSERTION FORCE: 35N(3.57KGF) MAX
 EXTRACTION FORCE: 10~35N(1.02~3.57KGF)MIN
 DURABILITY: 1500 CYCLES EXTRACTION FORCE:10~35N
 5000 CYCLES MIN

3. ENVIRONMENTAL:
 OPERATING TEMPERATURE: -55 C.+85°C
 4. Contact finish:
 01: Selective Gold Flash
 02: Selective Gold 3U"
 03: Selective Gold 5U"
 04: Selective Gold 15U"
 05: Selective Gold 30U"



产品图		制图料号	
公差一览表		UNIT	MM
TOLERANCE UNLESS OTHERWISE		DRAWING	Z-Y-B
X ±0.15	X ±5°	审核	产品名称
X ±0.10	X ±2°	CHKD	PRODUCT NO
XX ±0.05	XX ±1°	核准	USP A/F 10.02无边四脚鱼叉SMT (方弹)
XXX ±0.03	XXX ±0.5°	APRD	角法
		DATE	2013/04/24
		DATE	

1 2 3 4 5 6 7 8 9 10

G F E D C B A

G F E D C B A