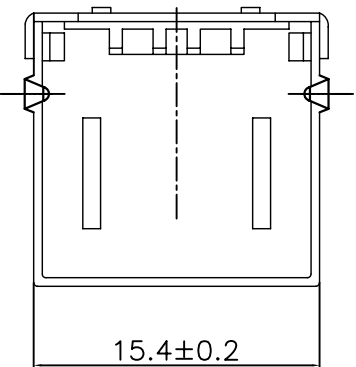
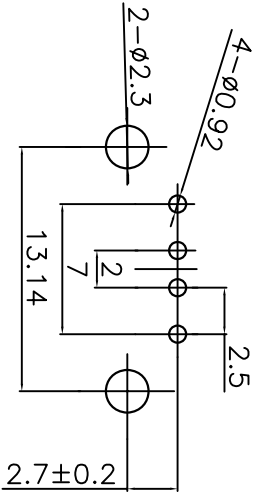
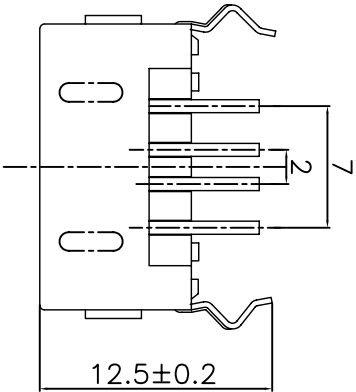
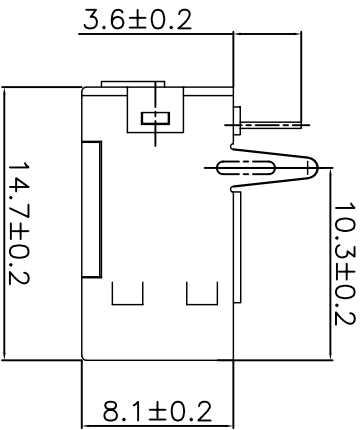
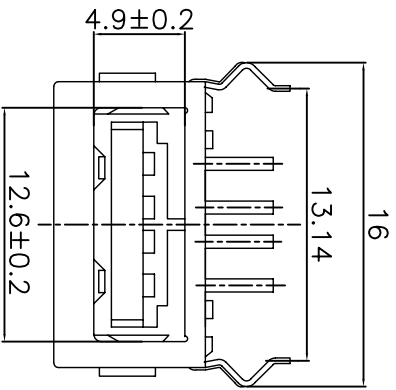




| REV | DESCRIPTION | APPRO. | CHANGE | DATE |
|-----|-------------|--------|--------|-------|
| △ | 原始尺寸 | | 李晴 | 01/16 |

受控文件



ShenZhenYaoShengTechnologyParameter
 Specification
 *Electrical Characteristics
 Contact Current Rating:1 Amperes.
 Diection withstanding Voltage:AC 750V R.M.S
 Insulation Resistance:1000MΩ Min
 contact Resistance:30MΩ Max.
 *Environmental:
 *Mechanical Characteristics:
 Mating Force:3.57Kg Max.
 Umating Force:1.02Kg Min.
 *Material:
 1.Housing:Thermoplastic UL 94V-0 Rated.
 2.Contact:Copper Alloy(t=0.25mm).
 3.Shell:Steel(t=0.30mm).
 Ordering Information.

| NO. | DESCRIPTION | COLOR |
|-----|-------------|---|
| 3 | SHELL | BRASS t±0.4 Niελ Plated |
| 2 | PIN | Pho.Bronze t±0.25 Gold/Tin Plated |
| 1 | Housing | High Temp UL 94V-0 |

P.C.B. LAYOUT

| QUALITY SYMBOLS | GENERAL TOLERANCES (UNLESS SPECIFIED) | | | | SIGNATORY | |
|-----------------|---------------------------------------|------|------|--------|-----------|--------|
| | MM | INCH | DRAW | DESIGN | CHECK | APPRO. |
| ∅ | ±0.15 | ± | LI | LI | | |
| X | ±0.20 | ± | QING | QING | | |
| X | ±0.50 | ± | | | | |
| ∠ | ANGULAR ±0.10° | | | | | |

| | |
|---------------|--------|
| PART NO. | |
| DWG NO. | |
| (OLD)PART NO. | |
| SCALE | 1:1 |
| UNIT:mm | |
| A4 | |
| SHEET: | 1 of 1 |

