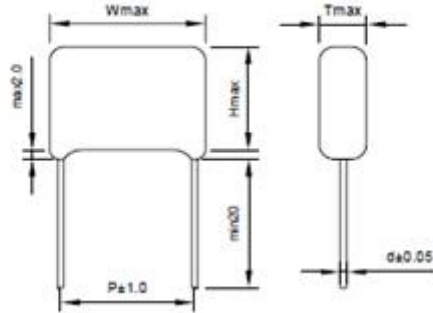


金属化聚丙烯膜电容器 MPR

Metalized Polypropylene Film Capacitor (Dip Type)



■ 特征及用途

金属化聚丙烯

高频损耗小

内部温升小

广泛用于高频、直流、交流和脉冲电路中

适用于要求体积小，LED 灯的阻容降压电路

适用于各种高频、大电流场合

■ Features & Applications

Metallized polypropylene structure

Low loss at high frequency

Small inherent temperature rise

Widely used in high frequency, DC, AC and pulse circuits

"Providing optimum performance with small size in LED resistance-capacitance, drop voltage"

"Specially designed for S-correction circuits of large screen monitor and colour TV"

"Suitable for the situation where applies high frequency and high current pulse"

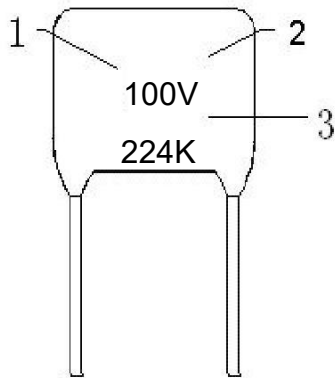
■ 技术参数 Technical Specifications

项目 Items	性能要求 Characteristics
引用标准 Reference Standard	GB 10191 (IEC60384-16)
气候类别 Climatic Category	40/85/21
额定温度 Rate Temperature	85°C
工作温度范围 Operating Temperature Range	-40~105°C (+85°C to +105°C:decreasing factor 1.25% per °C for VR(DC))
额定电压 Rated Voltage	250V /400V/630V
电容量范围 Capacitance Range	0.001μF ~ 10μF
电容量偏差 Capacitance Tolerance	±5%(J) ; ±10%(K) (1kHz)
耐电压 Voltage Proof	1.6UR(2S)
损耗角正切 Dissipation Factor	C≤1uF, ≤0.002 (20°C;1kHz) C > 1uF, ≤0.01
绝缘电阻 Insulation Resistance	IR ≥ 2500 MΩ
结构	金属化聚丙烯膜，粉末包装

■ 外形尺寸 Dimensions (mm)

标志 1、2 — 额定电压以内通用

3—标称容量



容量		250V (2E)					容量		400V (2G)				
直标法	uF	Wmax	Hmax	Tmax	P±0.5	d±0.05	直标法	uF	Wmax	Hmax	Tmax	P±0.5	d±0.05
103	0.01	10.0	8.0	4.5	7.5	0.6	103	0.01	10.0	8.0	4.5	7.5	0.6
223	0.022	10.0	8.0	4.5	7.5	0.6	153	0.015	10.0	8.0	4.5	7.5	0.6
333	0.033	10.0	8.0	4.5	7.5	0.6	223	0.022	10.0	8.0	4.5	7.5	0.6
473	0.047	10.0	8.0	4.5	7.5	0.6	333	0.033	10.0	8.0	4.5	7.5	0.6
683	0.068	10.0	8.0	4.5	7.5	0.6	473	0.047	10.0	10.0	4.5	7.5	0.6
104	0.01	10.0	8.0	4.5	7.5	0.6	473	0.047	10.0	10.0	4.5	8.0	0.6
104	0.01	12.0	10.0	4.5	10.0	0.6	333	0.033	12.0	11.0	5.0	10.0	0.6
154	0.15	12.0	11.5	4.5	10.0	0.6	683	0.068	12.0	11.0	5.0	10.0	0.6
224	0.22	12.0	12.0	5.0	10.0	0.6	104	0.1	12.0	11.0	5.0	10.0	0.6
334	0.33	12.0	12.0	6.0	10.0	0.6	154	0.15	12.0	12.0	5.0	10.0	0.6
474	0.47	12.0	13.0	7.5	10.0	0.6	224	0.22	12.0	12.0	6.0	10.0	0.6
684	0.68	12.0	14.0	8.0	10.0	0.6	334	0.33	12.0	12.0	7.5	10.0	0.6
474	0.47	17.0	16.0	8.5	15.0	0.8	474	0.47	12.0	18.0	7.5	10.0	0.6
105	1.0	17.0	16.0	8.5	15.0	0.8	684	0.68	12.0	16.5	8.5	10.0	0.6
155	1.5	17.0	18.0	11.0	15.0	0.8	274	0.27	17.0	16.0	8.5	15.0	0.8
225	2.2	22.0	19.0	9.0	20.0	0.8	474	0.47	17.0	16.0	8.5	15.0	0.8
335	3.3	29.0	19.0	10.5	27.5	0.8	684	0.68	17.0	16.0	8.5	15.0	0.8
475	4.7	29.0	21.0	12.5	27.5	0.8	105	1.0	17.0	16.0	8.5	15.0	0.8
685	6.8	29.0	24.0	13.5	27.5	0.8	155	1.5	17.0	18.0	11.0	15.0	0.8
106	10.0	29.0	27.0	17.5	27.5	0.8	105	1.0	22.0	19.0	9.0	20.0	0.8
							125	1.2	22.0	19.0	9.0	20.0	0.8
							155	1.5	22.0	19.0	9.0	20.0	0.8
							185	1.8	22.0	19.0	9.0	20.0	0.8
							225	2.2	22.0	19.0	9.0	20.0	0.8
							335	3.3	29.0	19.0	10.5	27.5	0.8
							475	4.7	29.0	21.0	12.5	27.5	0.8

容量		630V (2J)				
直标法	uF	Wmax	Hmax	Tmax	P±0.5	d±0.05
102	0.001	10.0	7.0	4.0	7.5	0.6
222	0.0022	10.0	7.0	4.0	7.5	0.6
332	0.0033	10.0	7.0	4.0	7.5	0.6
472	0.0047	10.0	7.0	4.0	7.5	0.6
682	0.0068	10.0	7.0	4.0	7.5	0.6
222	0.002	12.0	8.0	4.5	10.0	0.6
472	0.0047	12.0	8.0	4.5	10.0	0.6
103	0.01	12.0	8.0	4.5	10.0	0.6
153	0.015	12.0	8.0	4.5	10.0	0.6
223	0.022	12.0	8.0	4.5	10.0	0.6
333	0.033	12.0	9.0	5.0	10.0	0.6
473	0.047	12.0	10.0	6.0	10.0	0.6
683	0.068	12.0	11.0	7.0	10.0	0.6
104	0.01	12.0	12.0	6.0	10.0	0.6
224	0.01	12.0	12.0	6.0	10.0	0.6
154	0.15	17.0	12.0	7.0	15.0	0.8
224	0.22	17.0	14.0	8.5	15.0	0.8
334	0.33	17.0	15.0	9.0	15.0	0.8
474	0.47	17.0	15.0	9.0	15.0	0.8
474	0.47	22.0	16.0	9.0	20.0	0.8
684	0.68	22.0	18.0	11.0	20.0	0.8
105	1.0	22.0	20.0	13.0	20.0	0.8
105	1.0	27.0	20.0	13.0	25.0	0.8
155	1.5	29.0	21.0	12.5	27.5	0.8
225	2.2	29.0	24.0	15.5	27.5	0.8
335	3.3	29.0	28.0	19.0	27.5	0.8