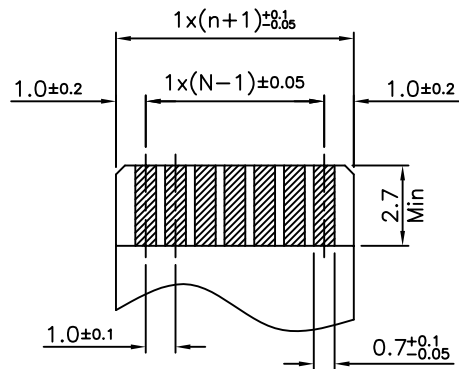


# FPC 1.0mm间距 18P 抽拉式 上接

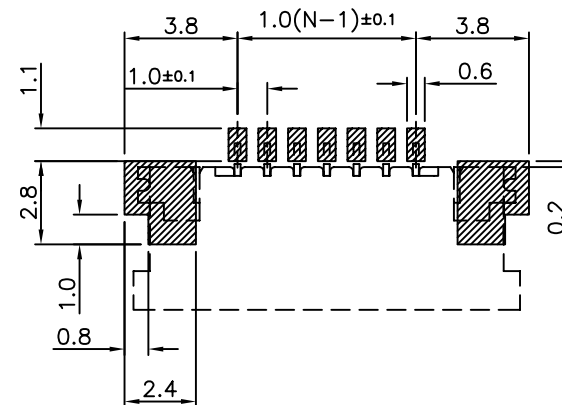
## NOTES:

- 1.MATERIAL:  
HOUSING:NYLON UL94V-0  
LATCH:PPS UL94V-0  
TERMINAL:COPPER ALLOY  
FITTING NAIL:COPPER ALLOY
- 2.PLATING:Sn/Pb OVER Ni
- 3.COPLANARITY 0.1 MM MAX. BASE ON DATUM A
- 4.TRUE POSITION 0.1 MM MAX. BAES ON DATUM B

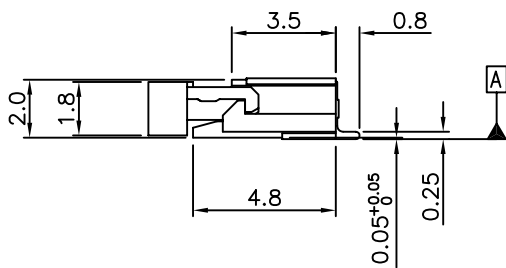
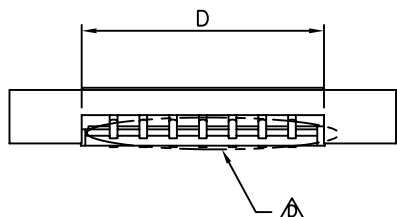
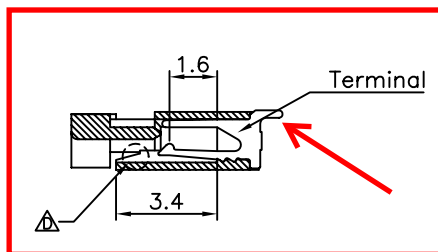
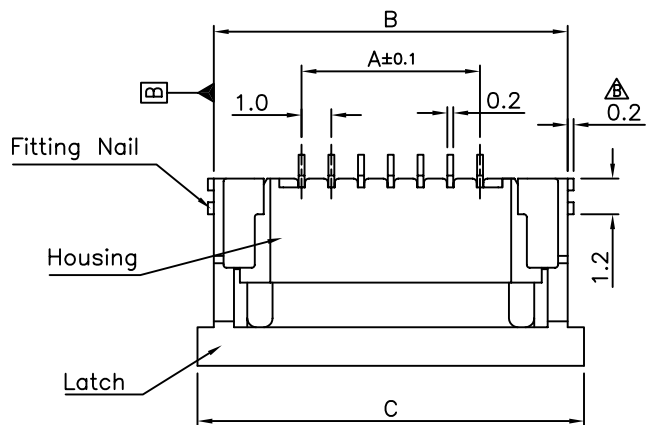


APPLICABLE FPC  
RECOMMENDED DIMENSION  
(THICKNESS:0.3±0.05)

P/N LEGEND  
85202-XX X5  
Packing 05:Tape & Reel  
15:Tube Package  
No Of CKT



PCB PATTERN LAYOUT



CKT	Dim A	Dim B	Dim C	Dim D	CKT	Dim A	Dim B	Dim C	Dim D
3	2.0	7.9	9.0	4.15	18	17.0	22.9	24.0	19.15
4	3.0	8.9	10.0	5.15	19	18.0	23.9	25.0	20.15
5	4.0	9.9	11.0	6.15	20	19.0	24.9	26.0	21.15
6	5.0	10.9	12.0	7.15	21	20.0	25.9	27.0	22.15
7	6.0	11.9	13.0	8.15	22	21.0	26.9	28.0	23.15
8	7.0	12.9	14.0	9.15	23	22.0	27.9	29.0	24.15
9	8.0	13.9	15.0	10.15	24	23.0	28.9	30.0	25.15
10	9.0	14.9	16.0	11.15	25	24.0	29.9	31.0	26.15
11	10.0	15.9	17.0	12.15	26	25.0	30.9	32.0	27.15
12	11.0	16.9	18.0	13.15	27	26.0	31.9	33.0	28.15
13	12.0	17.9	19.0	14.15	28	27.0	32.9	34.0	29.15
14	13.0	18.9	20.0	15.15	29	28.0	33.9	35.0	30.15
15	14.0	19.9	21.0	16.15	30	29.0	34.9	36.0	31.15
16	15.0	20.9	22.0	17.15	31	30.0	35.9	37.0	32.15
17	16.0	21.9	23.0	18.15	32	31.0	36.9	38.0	33.15

一般公差  
TOLERANCES  
X ±0.5 XX ±0.15  
Y ±0.25 ZXX ±0.1  
ANGLES ±2°  
材質 (MAT'L)  
SEE NOTES  
組件 (NEXT ASS'Y)  
-  
表面處理 (FINISH)

LC@SC 立创  
WWW.SZLCSC.COM

LC@SC 立创  
WWW.SZLCSC.COM