

1x1 Port Tab upright RJ45 Connector
with Integrated Magnetics
for 10/100Base-TX NIC Applications



HY951140A

Electrical Specification @25°C

RoHS Compliant (PB Free)

Isolation: 1500Vrms (UTP Side to Chip Side)

OCL: 350uH Minimum @100KHz 100mV with 8mADC

Insertion Loss: -1.1dB Typical @100KHz ~ 100MHz

Return Loss: -20dB Minimum @1MHz ~ 10MHz

-16dB Minimum @10MHz ~ 30MHz

-12dB Minimum @30MHz ~ 60MHz

-10dB Minimum @60MHz ~ 80MHz

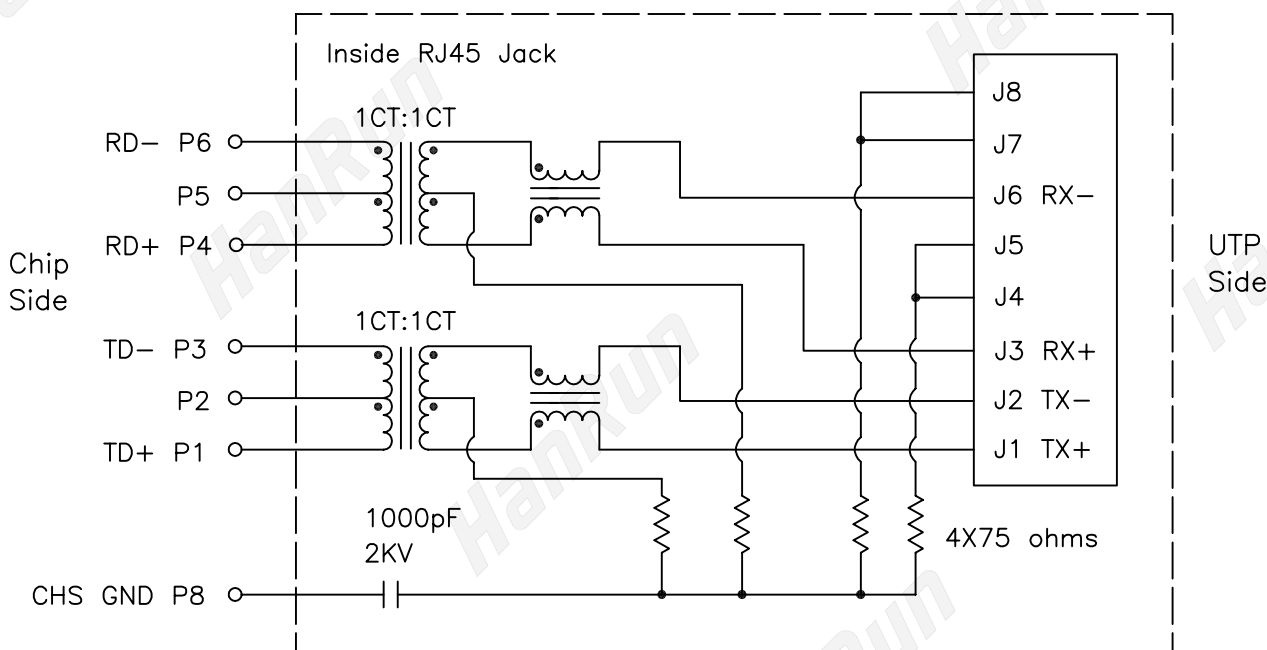
Common to Common Mode Rejection: -35dB Typical @30MHz ~ 100MHz

Crosstalk: -40dB Typical @1MHz ~ 30MHz

-35dB Typical @30MHz ~ 60MHz

-30dB Typical @60MHz ~ 100MHz

Schematics



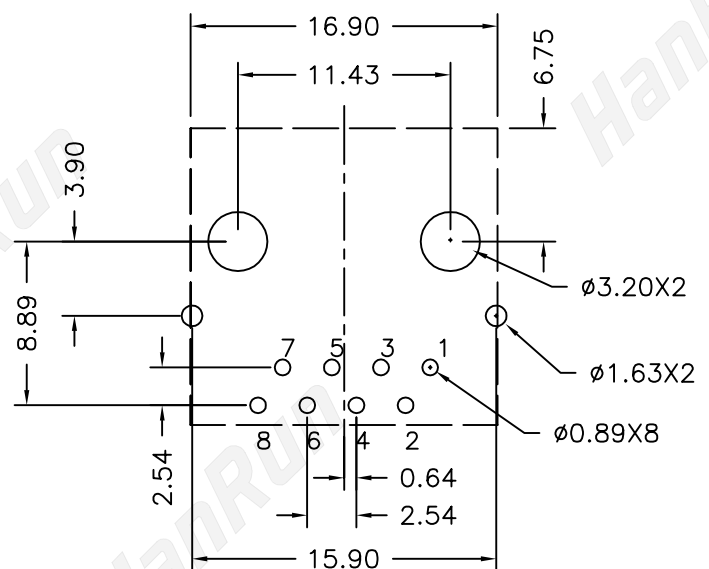
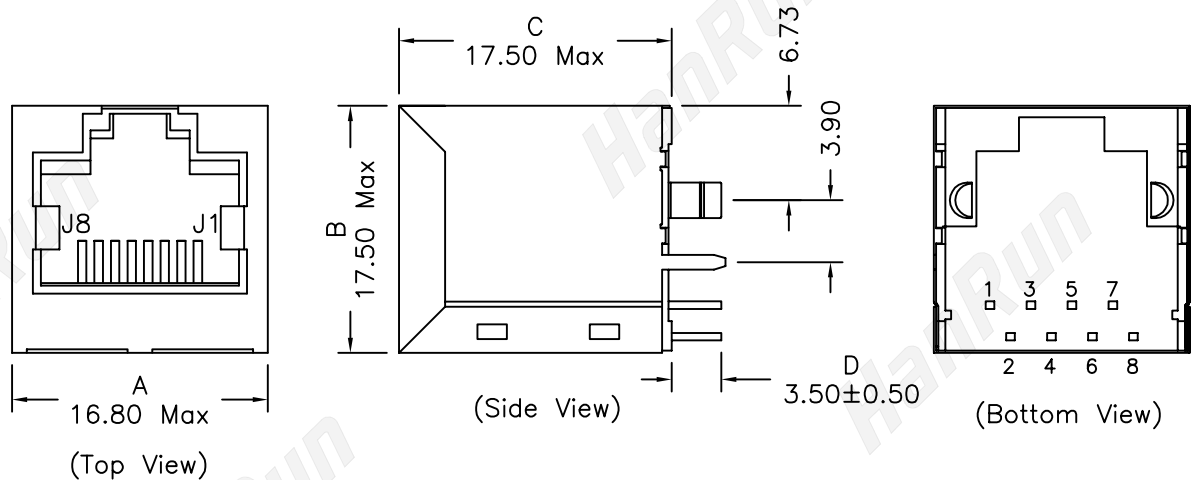
Notes: Connect CHS GND to PCB Ground

1x1 Port Tab upright RJ45 Connector
with Integrated Magnetics

HY951140A

- RoHS Compliant (Pb Free)
- Designed for Network Interface Card Application
- Meets or Exceeds IEEE802.3 standards including 350uH Min OCL with 8mADC
- High performance for EMI suppression, Crosstalk, Return Loss and Consistent Electrical
- Minimum 1500Vrms isolation per IEEE802.3 requirement
- Minimize PCB space and Simplify PCB Layout
- Less magnetic components to place on PCB, Higher reliability and yields

Mechanical Dimensions:



Dimensions in mm

Unless otherwise specified, Tolerance: .xx ± 0.25

REV.A

(Component Side View)
(Mounting Pattern)