

SAW Resonator

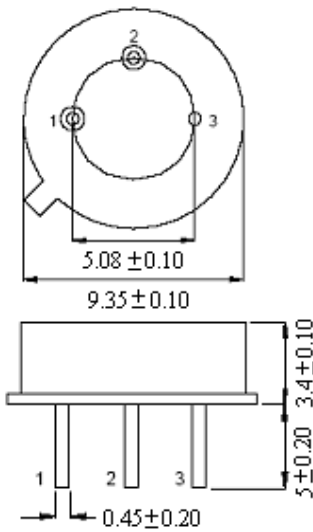
NDR Series

SAW Resonator - Remote Control Products

| Frequency | Type | Tolerance/Bandwidth | Package |
|------------|----------|---------------------|-----------|
| 300.000MHz | One-port | ±75kHz / ±250kHz | TO - 39 |
| 303.825MHz | One-port | ±75kHz / ±250kHz | TO - 39 |
| 303.875MHz | One-port | ±75kHz / ±250kHz | TO - 39 |
| 303.875MHz | One-port | ±75kHz / ±250kHz | TO - 39 |
| 304.300MHz | One-port | ±75kHz / ±250kHz | TO - 39 |
| 310.000MHz | One-port | ±75kHz / ±250kHz | TO - 39 |
| 311.600MHz | One-port | ±75kHz / ±250kHz | TO - 39 |
| 312.000MHz | One-port | ±75kHz / ±250kHz | TO - 39 |
| 314.500MHz | One-port | ±75kHz / ±250kHz | TO - 39 |
| 315.000MHz | One-port | ±75kHz / ±250kHz | SMD 5X3.5 |
| 315.000MHz | One-port | ±75kHz / ±250kHz | F-11-SMD |
| 315.000MHz | One-port | ±75kHz / ±250kHz | TO - 39 |
| 315.000MHz | One-port | ±75kHz / ±250kHz | F-11 |
| 315.000MHz | One-port | ±75kHz / ±250kHz | SMD 5X5 |
| 315.000MHz | One-port | ±75kHz / ±250kHz | TO - 39 |
| 315.500MHz | One-port | ±75kHz / ±250kHz | SMD 5X3.5 |
| 316.800MHz | One-port | ±75kHz / ±250kHz | TO - 39 |
| 318.000MHz | One-port | ±75kHz / ±250kHz | TO - 39 |
| 319.500MHz | One-port | ±75kHz / ±250kHz | TO - 39 |
| 333.000MHz | One-port | ±75kHz / ±250kHz | TO - 39 |
| 333.000MHz | One-port | ±75kHz / ±250kHz | F-11 |
| 340.000MHz | One-port | ±75kHz / ±250kHz | TO - 39 |
| 345.000MHz | One-port | ±75kHz / ±250kHz | SMD 5X3.5 |
| 345.000MHz | One-port | ±75kHz / ±250kHz | TO - 39 |
| 350.000MHz | One-port | ±75kHz / ±250kHz | TO - 39 |
| 360.000MHz | One-port | ±75kHz / ±250kHz | TO - 39 |
| 372.500MHz | One-port | ±75kHz / ±250kHz | SMD 5X3.5 |
| 390.000MHz | One-port | ±75kHz / ±250kHz | TO - 39 |
| 395.000MHz | One-port | ±75kHz / ±250kHz | TO - 39 |
| 395.500MHz | One-port | ±75kHz / ±250kHz | TO - 39 |
| 403.550MHz | One-port | ±75kHz / ±250kHz | SMD 5X5 |
| 418.000MHz | One-port | ±75kHz / ±250kHz | TO - 39 |
| 422.000MHz | One-port | ±75kHz / ±250kHz | TO - 39 |
| 423.220MHz | One-port | ±75kHz / ±250kHz | TO - 39 |

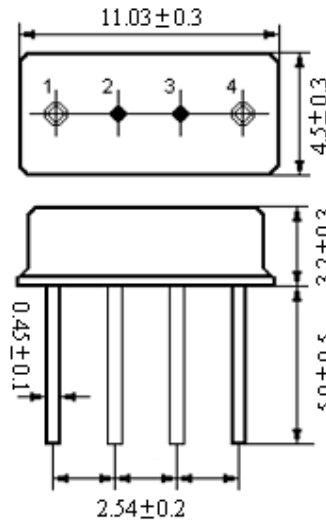
SAW Resonator - Communications

| Frequency | Type | Package |
|------------|----------|---------|
| 350.000MHz | One-port | TO-39 |
| 433.920MHz | One-port | TO-39 |
| 669.500MHz | Two-port | TO-39 |
| 677.500MHz | Two-port | TO-39 |



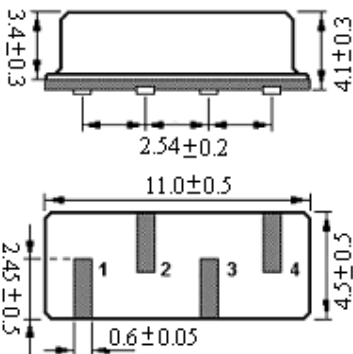
TO 39

Pin Function
 1 Input/Output
 2 Output/Input
 3 Case Ground



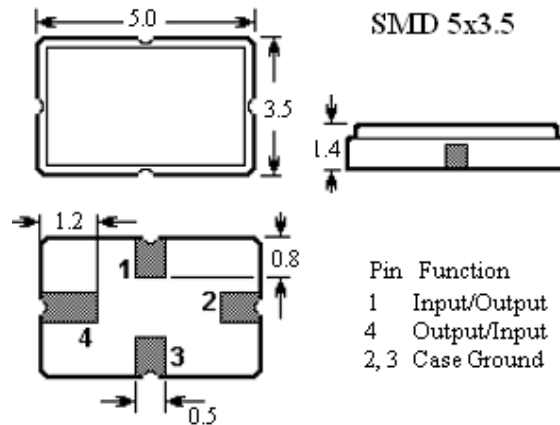
F11

Pin Function
 1 Input/Output
 4 Output/Input
 2, 3 Case Ground



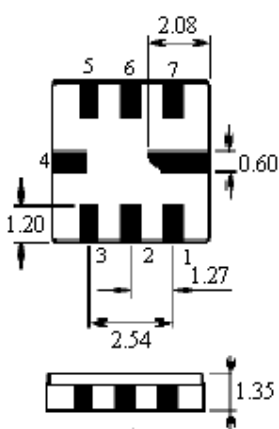
F11-SMD

Pin Function
 1 Input/Output
 4 Output/Input
 2, 3 Case Ground



SMD 5x3.5

Pin Function
 1 Input/Output
 4 Output/Input
 2, 3 Case Ground



SMD 5x5

Pin Function
 2 Input / Output
 6 Output / Input
 4, 8 Case Ground
 1, 3, 5, 7 Empty