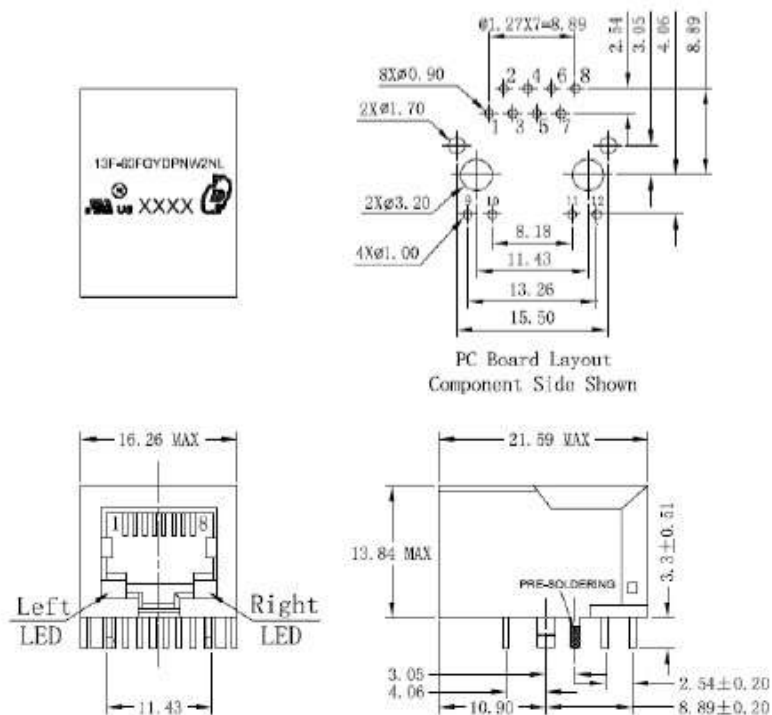
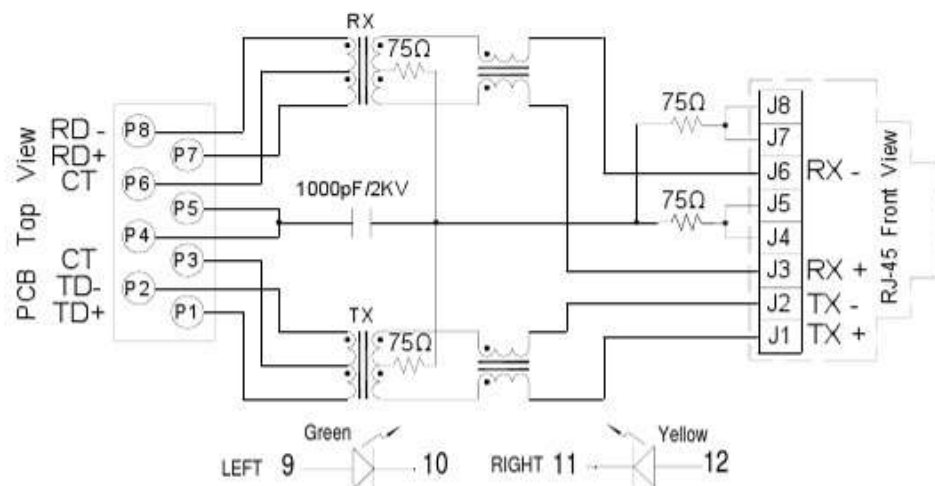


## 一、Mechanical Dimensions



UNIT:mm Unless otherwise specified, all tolerances are  $\pm 0.25$

## 二、Schematics



## 三、ELECTRICAL SPECIFICATIONS@25°C:

1. Turn Ratio( $\pm 2\%$ ): 1CT:1CT
2. Inductance(100KHz/0.1V@8mA): 350uH MIN
3. Insertion Loss(dB MAX): -1.0dB(0.3-100MHz)
4. Return Loss(dB MIN): -20dB(1-10MHz),-16dB(10-30MHz),-12dB(30-60MHz),  
-10dB(60-80MHz)
5. Cross talk(dB MIN): -40dB(1-30MHz),-35dB(30-60MHz),-30dB(60-100MHz)
6. CMR (dB MIN): -30dB(1-50MHz),-20dB(50-150MHz)
7. HI-POT:1500Vrms/0.5mA/60Sec or 1650Vrms/0.5mA/2Sec
8. Operating Temperature:-40°C TO +85°C
9. RoHS compliance:YES

Ref:BOM-AB65

			<b>元册科技股份有限公司</b> YUAN DEAN SCIENTIFIC CO., LTD.		
	TITLE		10/100 BASE-T SINGLE PORT RJ-45 JACK MAGNETICS		
	P/N		13F-60FGYDPNW2NL	REV.	0
	PAGE NO		1-4	DATE	2009-8-10
	AP'PD		Li YueSheng	DWN	Hu XiaoLan