

◆ SPECIFICATIONS

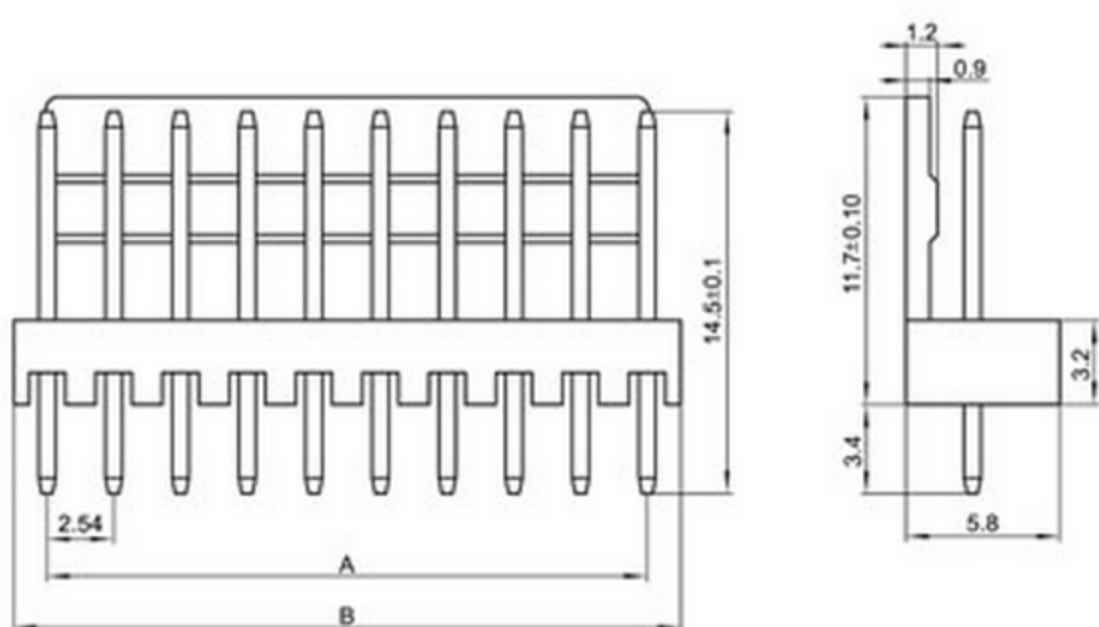
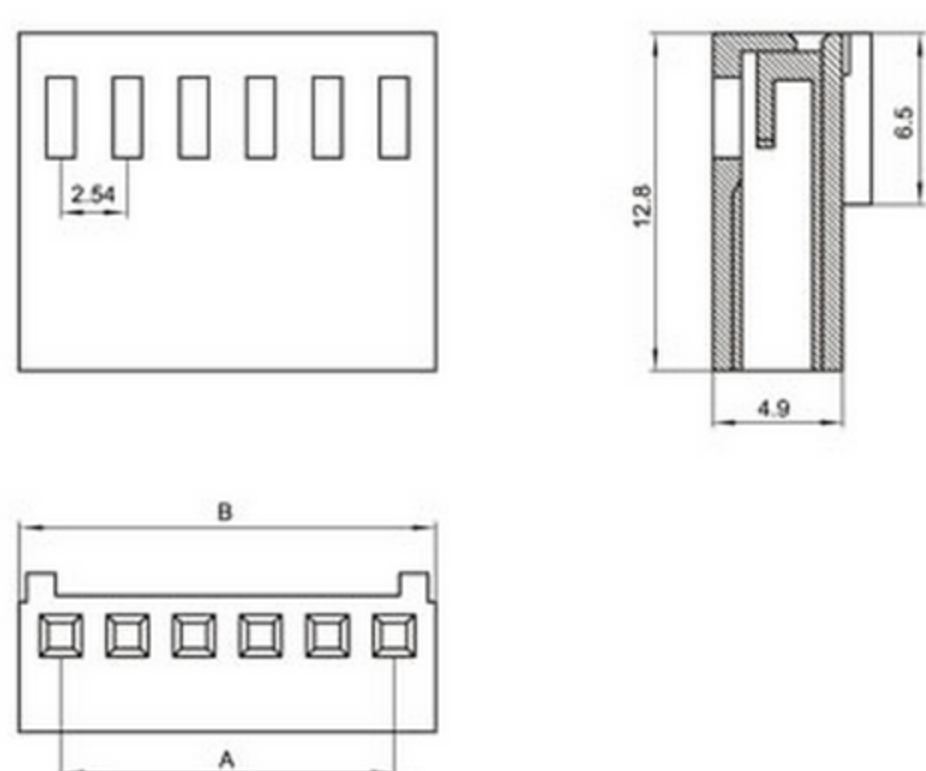
Unit:mm

- ◇ Poles: 2~20
- ◇ Applicable wire: AWG#28-#22
- ◇ Voltage rating: 250V DC/AC
- ◇ Current rating: 2.5A
- ◇ Withstand voltage: 1000V AC
- ◇ Working Temperature: -25°C~+85°C
- ◇ Insulation resistance: ≥ 1000MΩ
- ◇ Contact resistance: ≤ 0.02Ω
- ◇ Applicable PC board thickness: 1.6mm

UL:Recognized No.E309635  
RoHS-specification and Halogen-free products

2510-nY 母头

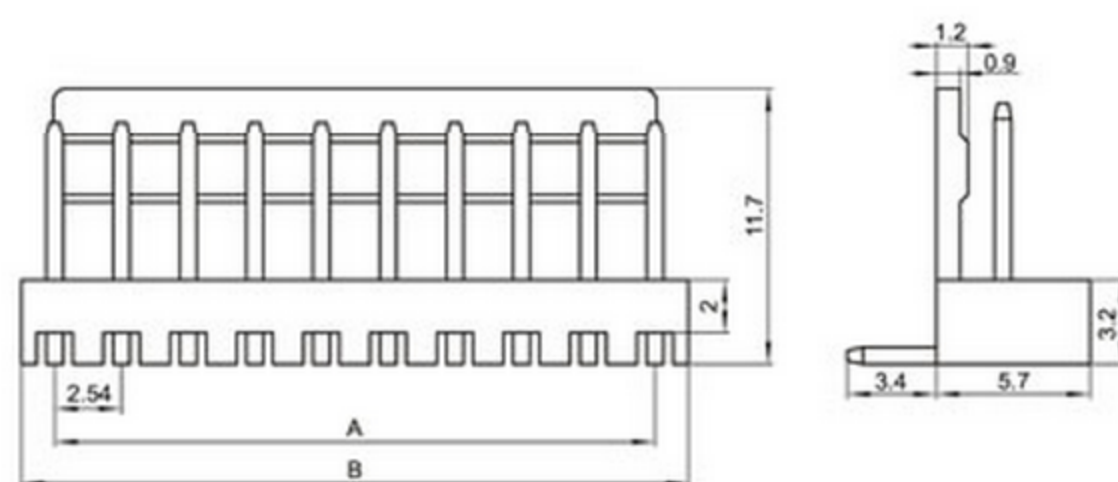
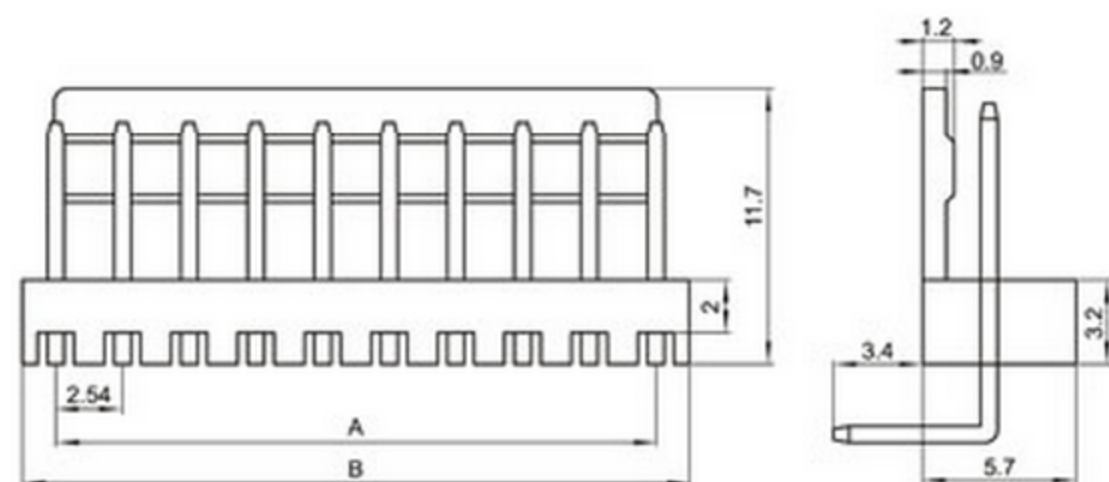
2510-nA 针座



2510-nAGW 弯针针座

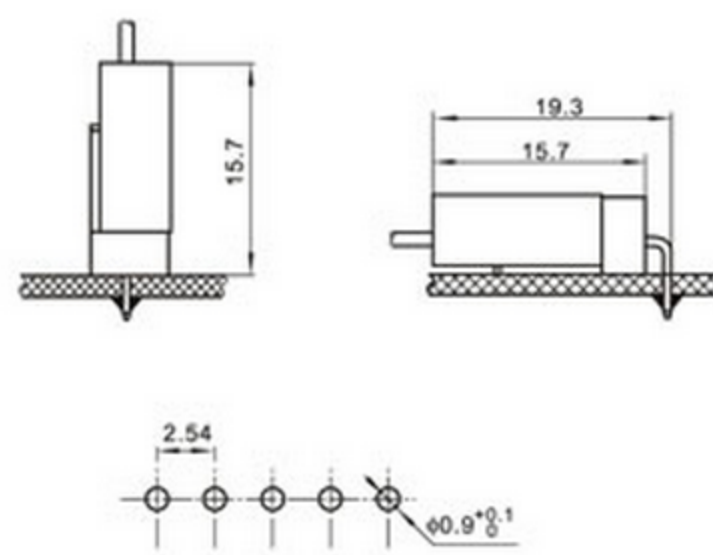
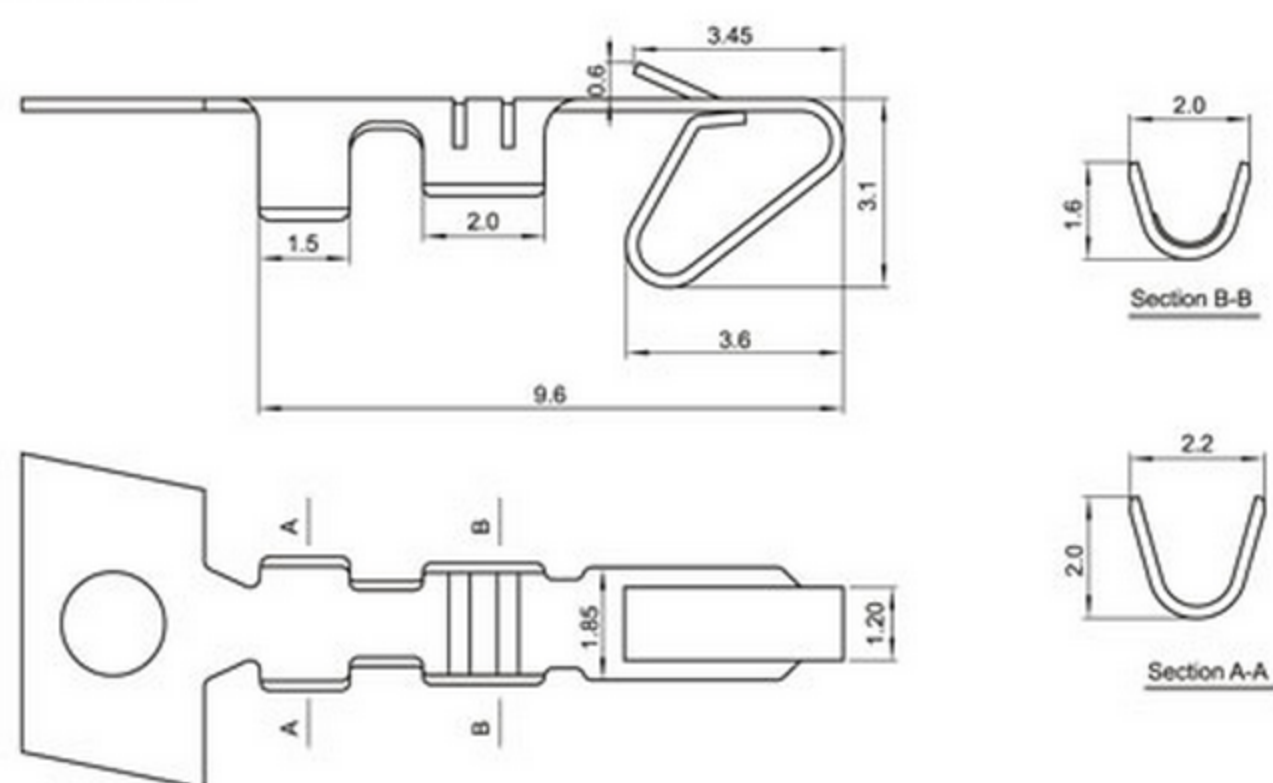
2510-nAW 平弯针座

Unit:mm



2510-PT 接线端子

Mounting Measurement



Terminal(2510)

Type	Applicable wires		O.D of wire ins mm	Material	Finish
	mm <sup>2</sup>	AWG#			
BM-2510	0.08~0.3	22~32	1.2~1.9	Phos.bronze	Tin-plated

Poles	Type	Size(mm)	
		A	B
2	2510-2Y	2.54	5.72
3	2510-3Y	5.08	8.26
4	2510-4Y	7.62	10.80
5	2510-5Y	10.16	13.34
6	2510-6Y	12.70	15.88
7	2510-7Y	15.24	18.42
8	2510-8Y	17.78	20.96
9	2510-9Y	20.32	23.50
10	2510-10Y	22.86	26.04
11	2510-11Y	25.40	28.58
12	2510-12Y	27.94	31.12
13	2510-13Y	30.48	33.66
14	2510-14Y	33.02	36.20
15	2510-15Y	35.56	38.74
16	2510-16Y	38.10	41.28
17	2510-17Y	40.64	43.82
18	2510-18Y	43.18	46.36
19	2510-19Y	45.72	48.90
20	2510-20Y	48.26	51.44

Poles	Type	Size(mm)	
		A	B
2	2510-2A	2.54	5.08
3	2510-3A	5.08	7.62
4	2510-4A	7.62	10.16
5	2510-5A	10.16	12.70
6	2510-6A	12.70	15.24
7	2510-7A	15.24	17.78
8	2510-8A	17.78	20.32
9	2510-9A	20.32	22.86
10	2510-10A	22.86	25.40
11	2510-11A	25.40	27.94
12	2510-12A	27.94	30.48
13	2510-13A	30.48	33.02
14	2510-14A	33.02	35.56
15	2510-15A	35.56	38.10
16	2510-16A	38.10	40.64
17	2510-17A	40.64	43.18
18	2510-18A	43.18	45.72
19	2510-19A	45.72	48.26
20	2510-20A	48.26	50.80