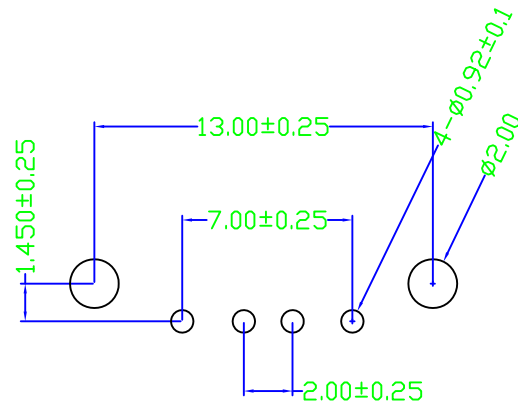
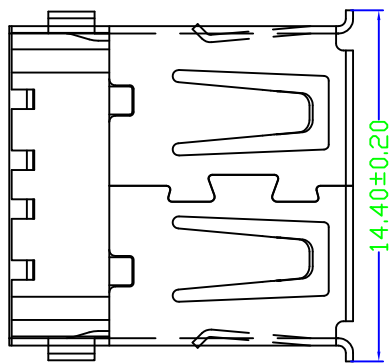
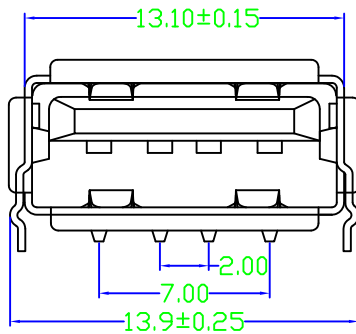
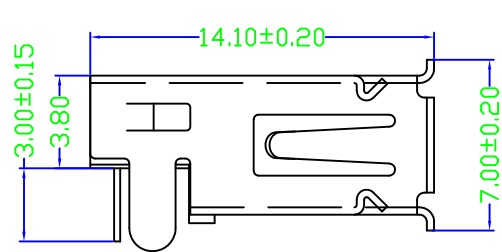


目錄 MAPX	設變內容 MODIFICATION	日期 DATE
------------	----------------------	------------



RECOMMENDED P.C.B LAYOUT

备注：侧弹分为外弹与内弹

NOTES:

- Housing: Thermoplastics
- Contact: Copper Alloy
- Shell: Copper Alloy/Steel
- Voltage Current Rating: 1.5 AMP. 30V AC
- Insulation Resistance: 1000MΩ Min.
- Contact Resistance: 30 MΩ Max.
- Dielectric Withstanding Voltage: 500V AC
- Temperature Range: -35°C to +85°C
- Insulator color: Black/White
- Plastic material: PBT/LCP/Others
- Shell finish: Nickel plated/Tin-Lead plated
- Mechanical:
- Mating Force: 3.5KG MAX
- Unmating Force: 0.7 KG MIN.
- Contact finish:

- 01: Selective Gold Flash
- 02: Selective Gold 3U"
- 03: Selective Gold 5U"
- 04: Selective Gold 15U"
- 05: Selective Gold 30U"

产品图 PRODUCT CHART DWG										
公差一览表 TOLERANCE UNLESS OTHERWISE				单位 UNITS	MM	制图 DRAWING	Z-Y-B	产品料号 PRODUCT PART NO.		
X.	±0.25	X'	±5°	比例 SCALE	1:1	审核 CHKD		产品名称 PRODUCT NO.	C39432	
.X	±0.20	.X'	±2°							
.XX	±0.15	.XX'	±1°	日期 DATE	2014/10/20	核准 APPD		角法 VIEW	版本 VER	A0
.XXX	±0.10	.XXX'	±0.5°							