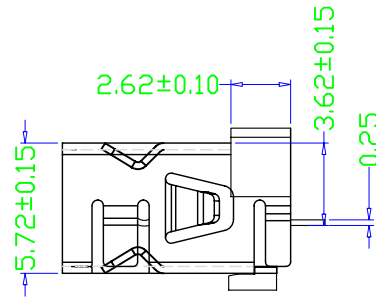
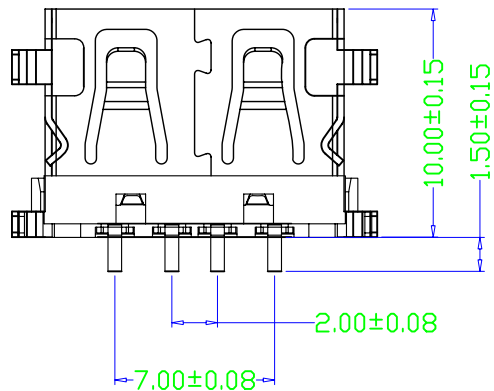
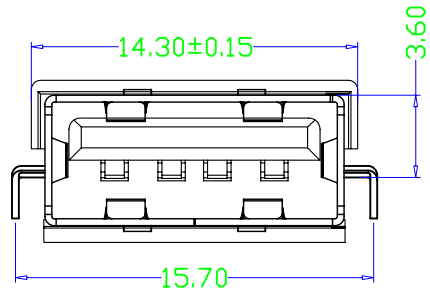
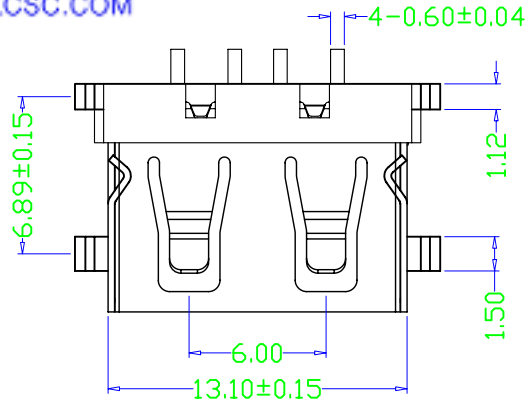


MAPX	MODIFICATION	DATE



NOTE:

1. Material:

Housing: Thermoplastics, UL94V-0 (ROHS, HF)
Contact: Phosphor Bronze C5191-EH/C2680-EH, T=0.25mm
Shell: COPPER ALLOY T=0.30mm

2. FINISH:

Contact: 15u" Gold Plated on Contact Area,
80u" Min. Tin Plated on Solder Area
50u" Min. Nickel Underplating Over All.
Shell: 50u" Min. Nickel Underplating Over All.

3. Specification:

3.1: Rating:

Rated voltage 500V AC/DC. Rated current: 2 A Max.

3.2: Electrical:

Insulation Resistance (EIA-364-21):
1000MΩ Min. at 500V/DC for 1Minute.

Contact Resistance (EIA-364-23):
30 mΩ Max. at 20mV Max, 50mA

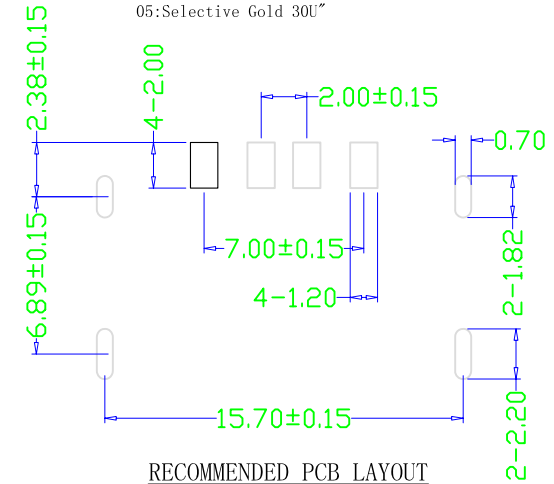
Dielectric Withstanding Voltage (EIA-364-20):

No discharge, flashover or breakdown at 500V/AC 1Minute

4. Plug extraction force shall be between 1.0kgf and 2.00kgf

5. Contact finish:

- 01: Selective Gold Flash
- 02: Selective Gold 3U"
- 03: Selective Gold 5U"
- 04: Selective Gold 15U"
- 05: Selective Gold 30U"



RECOMMENDED PCB LAYOUT
GENERAL TOLERANCES: ±0.05

<p>产品图 PRODUCT CHART DWG 公差一览表 TOLERANCE UNLESS OTHERWISE</p>				<p>单位 UNITS</p>		<p>制图 DRAWING</p>		<p>Z-Y-B</p>		<p>制图料号 PRODUCT PART NO.</p>	
X.	±0.15	X.	±5.°	MM	1:1	审核 CHKD	产品名称 PRODUCT NAME	USB A/F 10.0 无边四脚沉板			
.X	±0.10	.X	±2.°	日期 DATE	2014.11.1	核准 APPD	角法 VIEW	版本 VER	AD		
.XX	±0.05	.XX	±1.°								
.XXX	±0.03	.XXX	±0.5°								