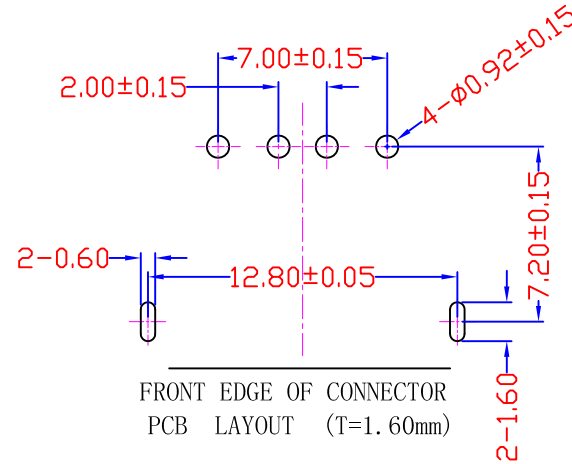
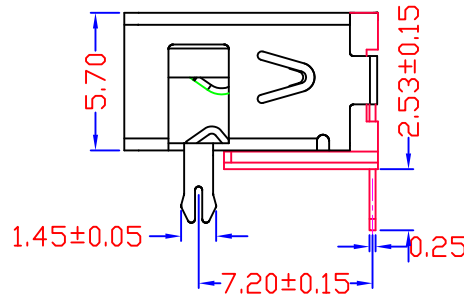
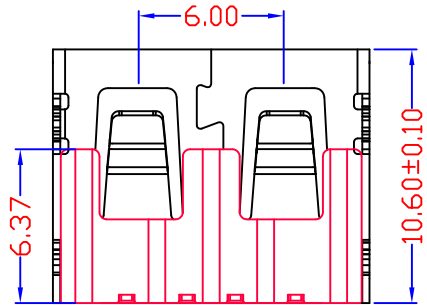
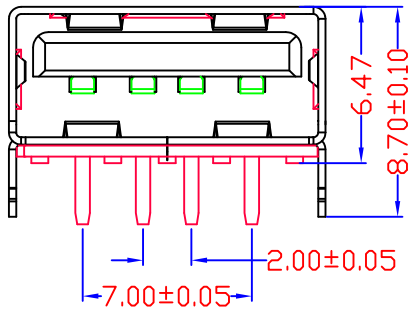
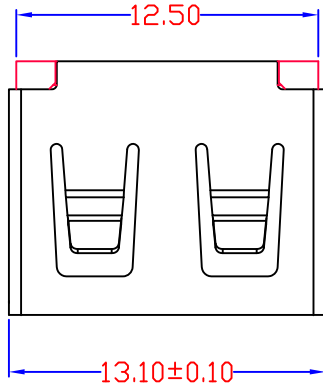


D款, 正向10.6前两脚, DIP-*6.50

| | | |
|------|--------------|------|
| MAPX | MODIFICATION | DATE |
| | | |



NOTES:

- HOUSING: SEE NOTES, UL94V-0 .
- TERMINAL: SEE NOTES.
- SHELL: SEE NOTES.

SPECIFICATION:

- ELECTRICAL CHARACTERISTIC:
 - CONTACT RESISTANCE: 30MΩ MAX
 - DIELECTRIC WITHSTANDING VOLTAGE: 500V AC FOR 1MIN
 - INSULATION RESISTANCE: 1000MΩ MIN
- MECHANICAL CHARACTERISTIC:
 - INSERTION FORCE: 35N(3.57KGF) MAX
 - EXTRACTION FORCE: 10~35N(1.02~3.57KGF)MIN
 - DURABILITY: 1500 CYCLES EXTRACTION FORCE:10~35N
5000 CYCLES MIN
 - 5000 CYCLES EXTRACTION FORCE:3~35N
- ENVIRONMENTAL:
 - OPERATING TEMPERATURE: -55℃+85℃
- Contact finish:
 - 01:Selective Gold Flash
 - 02:Selective Gold 3U"
 - 03:Selective Gold 5U"
 - 04:Selective Gold 15U"
 - 05:Selective Gold 30U"

| | | | | | | | | | | |
|--------------------------|-------|------|-------|-------------------------------------|------------|---------------|-------|--------------------------|-------------------------|----|
| 产品图 PRODUCT CHART DWG | | | | 公差一览表 TOLERANCE UNLESS OTHERWISE | | | | | | |
| X. | ±0.15 | X. | ±5.° | 单位 UNITS | MM | 制图 DRAWING | Z-Y-B | 制图料号 PRODUCT PART NO. | JTJ-USB-10.6-002 | |
| .X | ±0.10 | .X | ±2.° | 比例 SCALE | 1:1 | 审核 CHKD | | 产品名称 PRODUCT NAME | USB A/F 10.6无边前两脚鱼叉(方弹) | |
| .XX | ±0.05 | .XX | ±1.° | 日期 DATE | 2012.09.24 | 核准 APPD | | 角法 VIEW | 版本 VER | AD |
| .XXX | ±0.03 | .XXX | ±0.5° | | | | | | | |