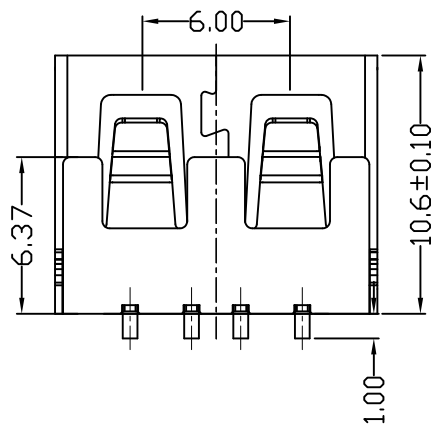
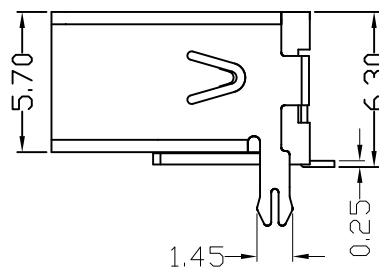
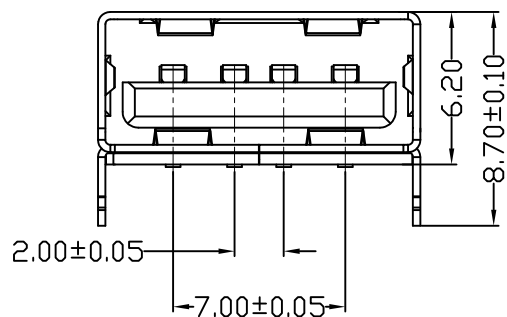
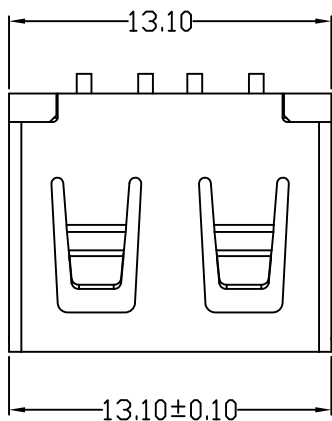


D款, 反向10.6后两脚, SMT-*6.20

| | | |
|------|--------------|------|
| MAPX | MODIFICATION | DATE |
| | | |



NOTES:

- 1.HOUSING: SEE NOTES, UL94V-0 .
- TERMINAL: SEE NOTES.
- SHELL: SEE NOTES.

SPECIFICATION:

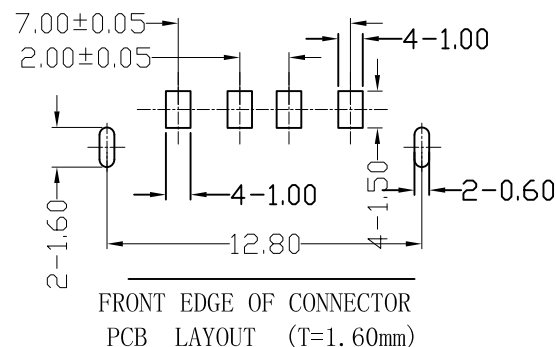
- 1.ELECTRICAL CHARACTERISTIC:
 - CONTACT RESISTANCE: 30MΩ MAX
 - DIELECTRIC WITHSTANDING VOLTAGE: 500V AC FOR 1MIN
 - INSULATION RESISTANCE: 1000MΩ MIN
- 2.MECHANICAL CHARACTERISTIC:
 - INSERTION FORCE: 35N(3.57KGF) MAX
 - EXTRACTION FORCE: 10~35N(1.02~3.57KGF)MIN
 - DURABILITY: 1500 CYCLES EXTRACTION FORCE:10~35N
5000 CYCLES MIN
 - 5000 CYCLES EXTRACTION FORCE:3~35N

3.ENVIRONMENTAL:

OPERATING TEMPERATURE: -55°C+85°C

4.Contact finish:

- 01:Selective Gold Flash
- 02:Selective Gold 3U"
- 03:Selective Gold 5U"
- 04:Selective Gold 15U"
- 05:Selective Gold 30U"



| | | | | | | | | | | | |
|---|-------|------|-------|-------------|------------|---------------|-------|--------------------------|-------------------------|-----------|----|
| <p>产品图 PRODUCT CHART DWG</p> | | | | | | | | | | | |
| <p>公差一览表 TOLERANCE UNLESS OTHERWISE</p> | | | | 单位 UNITS | MM | 制图 DRAWING | Z-Y-B | 制图料号 PRODUCT PART NO. | JTJ-USB-10.6-002 | | |
| X. | ±0.25 | X. | ±5.° | 比例 SCALE | 1:1 | 审核 CHKD | | 产品名称 PRODUCT NAME | USB A/F 10.6无边后两脚鱼叉(方弹) | | |
| .XX | ±0.15 | .XX | ±1.° | 日期 DATE | 2012.09.24 | 核准 APPD | | 角法 VIEW | | 版本 VER | A0 |
| .XXX | ±0.10 | .XXX | ±0.5° | | | | | | | | |