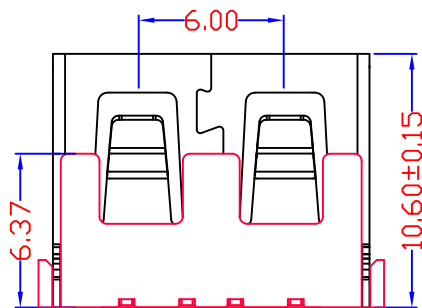
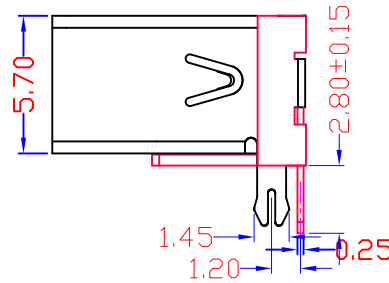
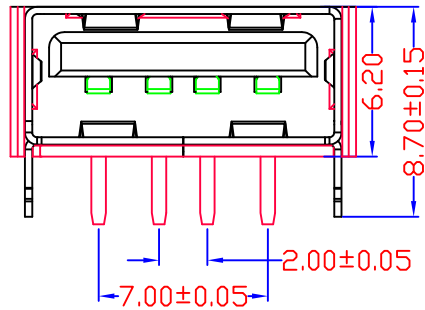
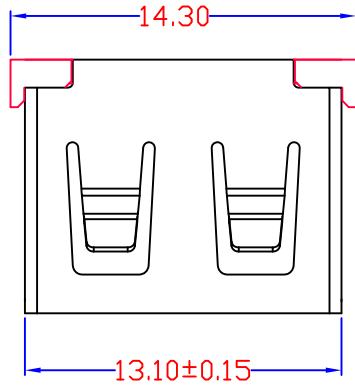


D款, 正向10.6后两脚, DIP-*6.20

MAPX	MODIFICATION	DATE



NOTES:

- 1.HOUSING: SEE NOTES, UL94V-0 .
- TERMINAL: SEE NOTES.
- SHELL: SEE NOTES.

SPECIFICATION:

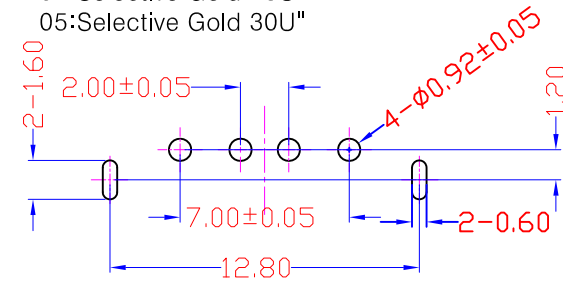
- 1.ELECTRICAL CHARACTERISTIC:
 - CONTACT RESISTANCE: 30MΩ MAX
 - DIELECTRIC WITHSTANDING VOLTAGE: 500V AC FOR 1MIN
 - INSULATION RESISTANCE: 1000MΩ MIN
- 2.MECHANICAL CHARACTERISTIC:
 - INSERTION FORCE: 35N(3.57KGF) MAX
 - EXTRACTION FORCE: 10~35N(1.02~3.57KGF)MIN
 - DURABILITY: 1500 CYCLES EXTRACTION FORCE:10~35N
5000 CYCLES MIN
 - 5000 CYCLES EXTRACTION FORCE:3~35N

3.ENVIRONMENTAL:

OPERATING TEMPERATURE: -55°C+85°C

4.Contact finish:

- 01:Selective Gold Flash
- 02:Selective Gold 3U"
- 03:Selective Gold 5U"
- 04:Selective Gold 15U"
- 05:Selective Gold 30U"



FRONT EDGE OF CONNECTOR
PCB LAYOUT (T=1.60mm)

<p>产品图 PRODUCT CHART DWG</p> <p>公差一览表 TOLERANCE UNLESS OTHERWISE</p>				<p>单位 UNITS</p> <p>MM</p>		<p>制图 DRAWING</p> <p>Z-Y-B</p>		<p>制图料号 PRODUCT PART NO</p> <p>JTJ-USB-10.6-002</p>	
X.	±0.25	X.	±5.°	比例 SCALE	1:1	审核 CHKD	产品名称 PRODUCT NAME	USB A/F 10.6无边后两脚鱼叉(方弹)	
.XX	±0.15	.XX	±1.°	日期 DATE	2012.09.24	核准 APPD	角法 VIEW	版本 VER	AD
.XXX	±0.10	.XXX	±0.5°						