

D款, 正向10.6四脚, DIP-*6.80

01-1X XNNX XNX X XN
1 2 3 4 5 6 7

- 1: 外壳材质代码: A:黄铜C2680, B:磷铜C5191, C:磷铜C5210, E:双光铁
- 2: 外壳电镀代码: A:镀镍12H, B:镀镍24H, C:镀镍48H, D:镀雾镍, E:镀锡, F:镀雾锡, H:镍+金, J:雾镍+金
- 3: 胶芯材质代码: A:PBT, B:LCP, F:PA66
- 4: 胶芯颜色代码: 1:白色, 2:黑色, 3:本色
- 5: 端子材质代码: 1:黄铜C2680, 2:磷铜C5191, 3:磷铜C5210.
- 6: 端子电镀代码: A:半金锡G/F, B:半金锡3U", C:半金锡15U", D:半金锡30U", E:半金雾锡G/F, F:半金雾锡3U", G:半金雾锡15U", H:半金雾锡30U".
- 7: 环保代码: N:非环保, R:ROHS, S:SONY, F:ROHS+无卤

MAPX	MODIFICATION	DATE

NOTES:

- 1.HOUSING: SEE NOTES, UL94V-0 .
- TERMINAL: SEE NOTES.
- SHELL: SEE NOTES.

SPECIFICATION:

- 1.ELECTRICAL CHARACTERISTIC:
CONTACT RESISTANCE: 30mΩ MAX
DIELECTRIC WITHSTANDING VOLTAGE: 500V AC FOR 1MIN
INSULATION RESISTANCE: 1000MΩ MIN
- 2.MECHANICAL CHARACTERISTIC:
INSERTION FORCE: 35N(3.57KGF) MAX
EXTRACTION FORCE: 10~35N(1.02~3.57KGF)MIN
DURABILITY: 1500 CYCLES EXTRACTION FORCE:10~35N
5000 CYCLES MIN
5000 CYCLES EXTRACTION FORCE: 3~35N

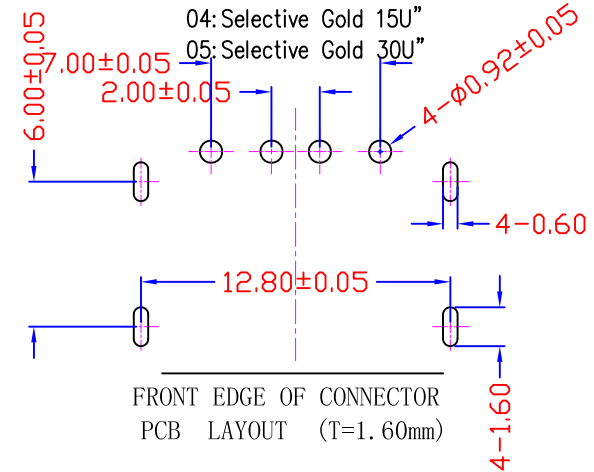
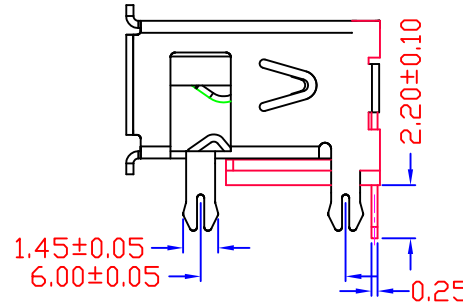
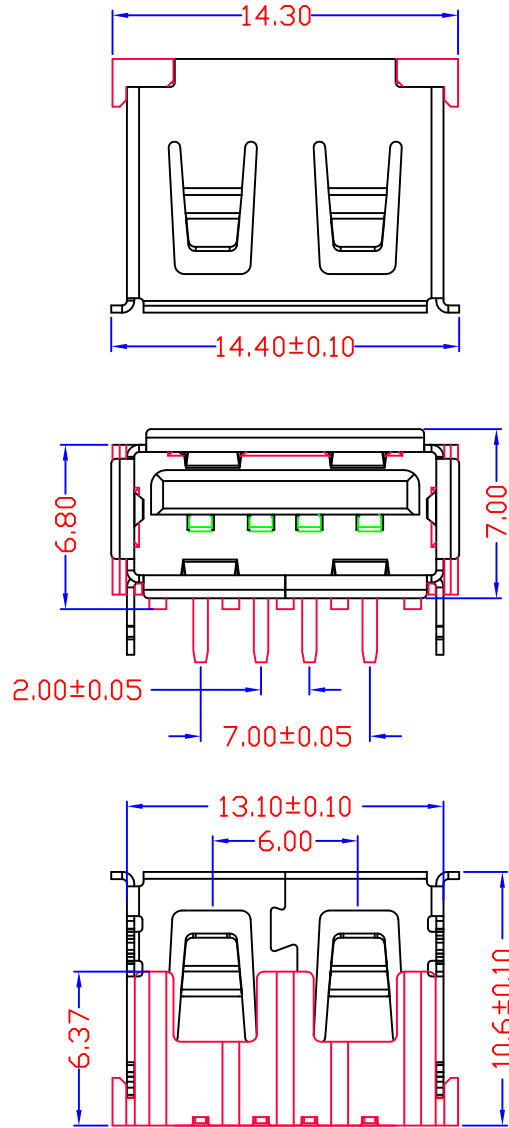
FORCE: 3~35N

3.ENVIRONMENTAL:

OPERATING TEMPERATURE: -55℃+85℃

4.Contact finish:

- 01: Selective Gold Flash
- 02: Selective Gold 3U"
- 03: Selective Gold 5U"
- 04: Selective Gold 15U"
- 05: Selective Gold 30U"



<p>产品图 PRODUCT CHART DWG</p> <p>公差一览表 TOLERANCE UNLESS OTHERWISE</p>				单位 UNITS	MM	制图 DRAWING	Z-Y-B	制图料号 PRODUCT PART NO	JTJ-USB-10.6-001	
X.	±0.25	X.	±5.°	比例 SCALE	1:1	审核 CHKD		产品名称 PRODUCT NAME	USB A/F 10.6有边四脚鱼叉(方弹)	
.X	±0.20	.X	±2.°	日期 DATE	2012.09.24	核准 APPD		角法 VIEW	版本 VER	AD
.XX	±0.05	.XX	±1.°							
.XXX	±0.03	.XXX	±0.5°							