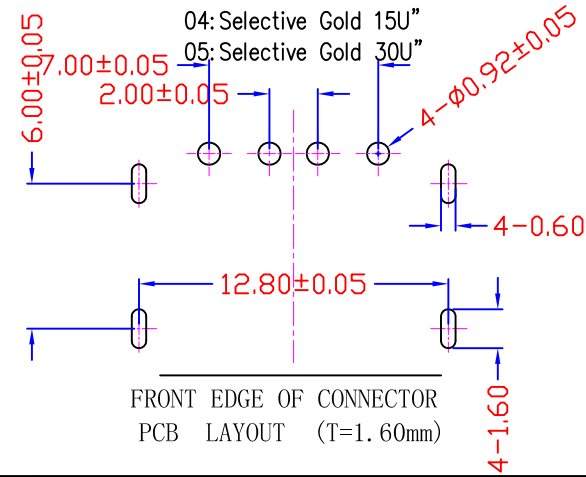
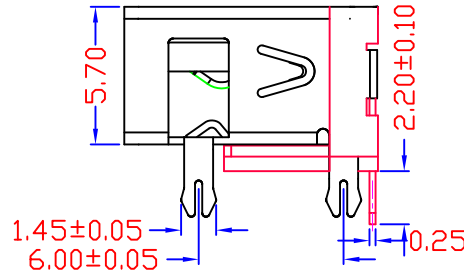
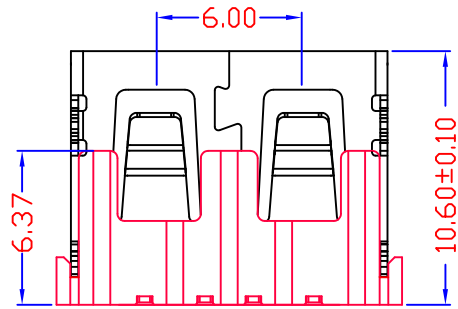
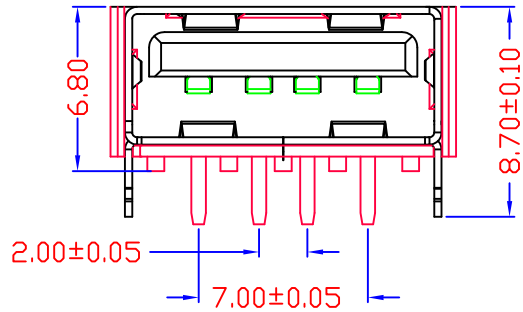
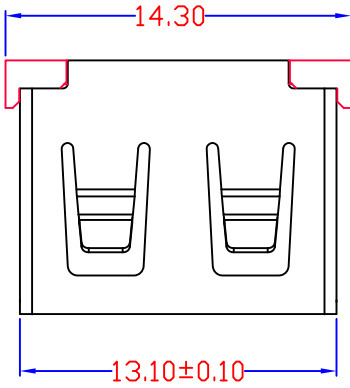


D款, 正向10.6四脚, DIP-*6.80

MAPX	MODIFICATION	DATE



NOTES:
 1.HOUSING: SEE NOTES, UL94V-0 .
 TERMINAL: SEE NOTES.
 SHELL: SEE NOTES.
 SPECIFICATION:
 1.ELECTRICAL CHARACTERISTIC:
 CONTACT RESISTANCE: 30mΩ MAX
 DIELECTRIC WITHSTANDING VOLTAGE: 500V AC FOR 1MIN
 INSULATION RESISTANCE: 1000MΩ MIN
 2.MECHANICAL CHARACTERISTIC:
 INSERTION FORCE: 35N(3.57KGF) MAX
 EXTRACTION FORCE: 10~35N(1.02~3.57KGF)MIN
 DURABILITY: 1500 CYCLES EXTRACTION FORCE:10~35N
 5000 CYCLES MIN
 5000 CYCLES EXTRACTION
 FORCE: 3~35N

3.ENVIRONMENTAL:
 OPERATING TEMPERATURE: -55℃+85℃
 4.Contact finish:
 01: Selective Gold Flash
 02: Selective Gold 3U"
 03: Selective Gold 5U"
 04: Selective Gold 15U"
 05: Selective Gold 30U"

FRONT EDGE OF CONNECTOR
 PCB LAYOUT (T=1.60mm)

产品图 PRODUCT CHART DWG				公差一览表 TOLERANCE UNLESS OTHERWISE						
X.	±0.25	X.	±5°	单位 UNITS	MM	制图 DRAWING	Z-Y-B	制图料号 PRODUCT PART NO.	JTJ-USB-10.6-002	
.X	±0.20	.X	±2°	比例 SCALE	1:1	审核 CHKD		产品名称 PRODUCT NAME	USB A/F 10.6无边四脚鱼叉(方弹)	
.XX	±0.05	.XX	±1°	日期 DATE	2012.09.24	核准 APPD		角法 VIEW	版本 VER	AD
.XXX	±0.03	.XXX	±0.5°							