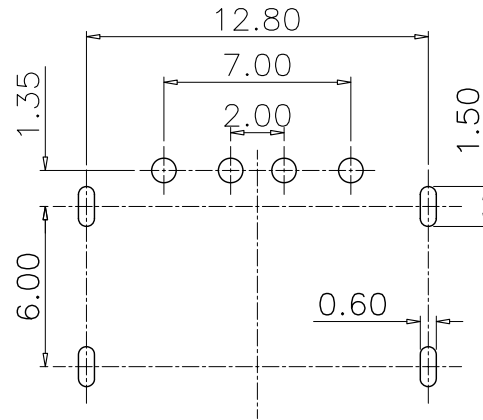
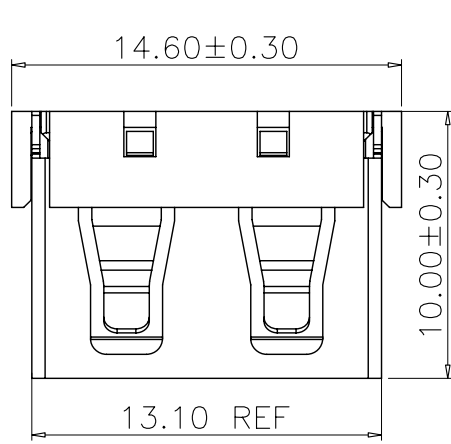
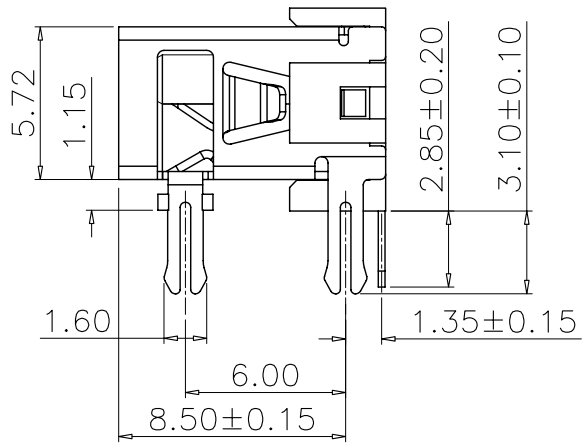
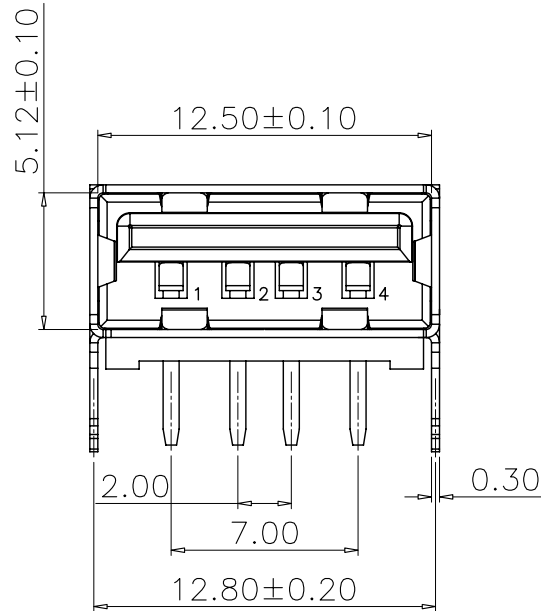


MAPX	MODIFICATION	DATE



PCB HOLES(THE PATTERN SIDE)
NOTE: GENERAL TOLERANCE: ±0.1mm

- NOTES:
1. HOUSING: SEE NOTES,
TERMINAL: SEE NOTES.
SHELL: SEE NOTES.
- SPECIFICATION:
1. ELECTRICAL CHARACTERISTIC:
CONTACT RESISTANCE: 30MΩ MAX
DIELECTRIC WITHSTANDING VOLTAGE: 500V AC FOR 1MIN
INSULATION RESISTANCE: 1000MΩ MIN
2. MECHANICAL CHARACTERISTIC:
INSERTION FORCE: 35N(3.57KGF) MAX
EXTRACTION FORCE: 10~35N(1.02~3.57KGF)MIN
DURABILITY: 1500 CYCLES EXTRACTION FORCE:10~35N
5000 CYCLES MIN
5000 CYCLES EXTRACTION FORCE:3~35N
3. ENVIRONMENTAL:
OPERATING TEMPERATURE: -55℃+85℃
4. Contact finish:
01:Selective Gold Flash
02:Selective Gold 3U"
03:Selective Gold 5U"
04:Selective Gold 15U"
05:Selective Gold 30U"



产品图 PRODUCT CHART DWG										
公差一览表 TOLERANCE UNLESS OTHERWISE				单位 UNITS	MM	制图 DRAWING	Z-Y-B	制图料号 PRODUCT PART NO.	USB A/F 10.0-B-001	
X	±0.15	X	±5.°	比例 SCALE	1:1	审核 CHKD		产品名称 PRODUCT NO.	USB A/F 10.0 (四脚无边)	
.X	±0.10	.X	±2.°	日期 DATE	2010.05.06	核准 APPD		角法 VIEW		
.XX	±0.05	.XX	±1.°						版本 VER	
.XXX	±0.03	.XXX	±0.5°							AO