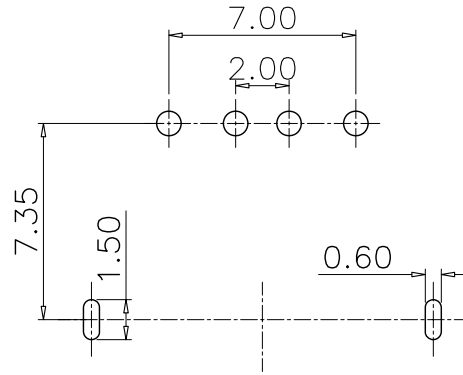
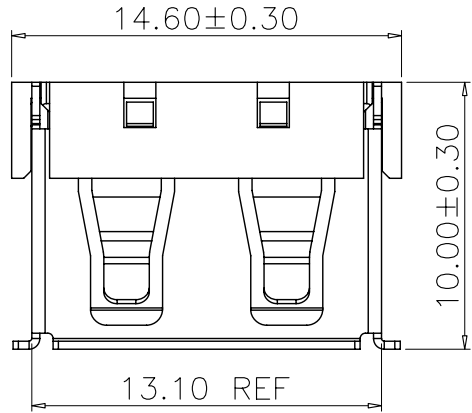
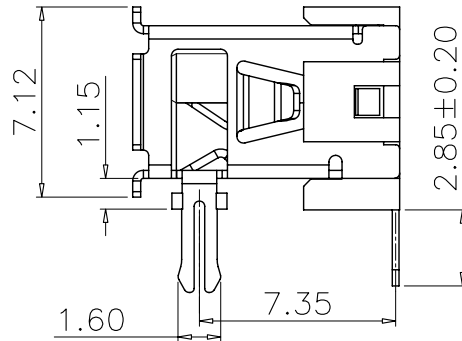
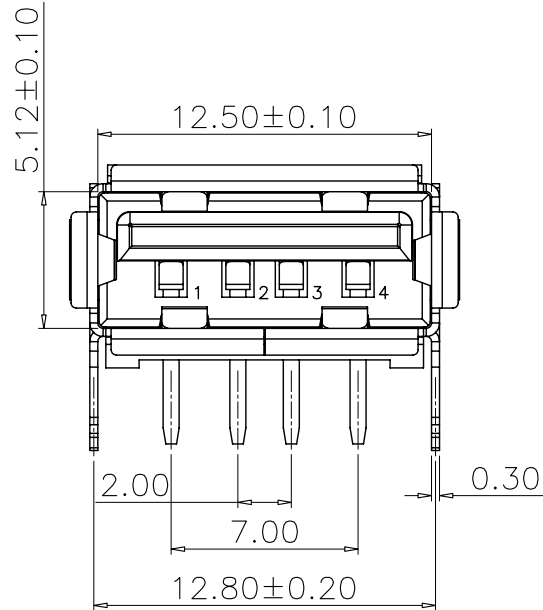


MAPX	MODIFICATION	DATE



PCB HOLES(THE PATTERN SIDE)  
NOTE: GENERAL TOLERANCE: ±0.1mm



NOTES:

- 1. HOUSING: SEE NOTES,
- TERMINAL: SEE NOTES.
- SHELL: SEE NOTES.

SPECIFICATION:

- 1. ELECTRICAL CHARACTERISTIC:
  - CONTACT RESISTANCE: 30MΩ MAX
  - DIELECTRIC WITHSTANDING VOLTAGE: 500V AC FOR 1MIN
  - INSULATION RESISTANCE: 1000MΩ MIN
- 2. MECHANICAL CHARACTERISTIC:
  - INSERTION FORCE: 35N(3.57KGF) MAX
  - EXTRACTION FORCE: 10~35N(1.02~3.57KGF)MIN
  - DURABILITY: 1500 CYCLES EXTRACTION FORCE:10~35N  
5000 CYCLES MIN
  - 5000 CYCLES EXTRACTION FORCE:3~35N
- 3. ENVIRONMENTAL:
  - OPERATING TEMPERATURE: -55℃+85℃
- 4. Contact finish:
  - 01:Selective Gold Flash
  - 02:Selective Gold 3U"
  - 03:Selective Gold 5U"
  - 04:Selective Gold 15U"
  - 05:Selective Gold 30U"

产品图

PRODUCT CHART DWG

公差一览表

TOLERANCE UNLESS OTHERWISE			
X	±0.15	X	±5.°
.X	±0.10	.X	±2.°
.XX	±0.05	.XX	±1.°
.XXX	±0.03	.XXX	±0.5°

单位 UNITS	MM	制图 DRAWING	Z-Y-B	制图料号 PRODUCT PART NO.	USB A/F 10.0-B-006
比例 SCALE	1:1	审核 CHKD		产品名称 PRODUCT NO.	USB A/F 10.0 (前两脚有边)
日期 DATE	2010.05.06	核准 APPD		角法 VIEW	版本 VER
					AO