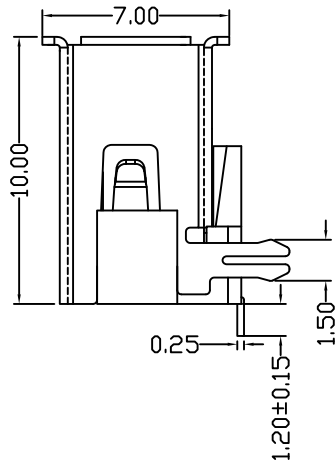
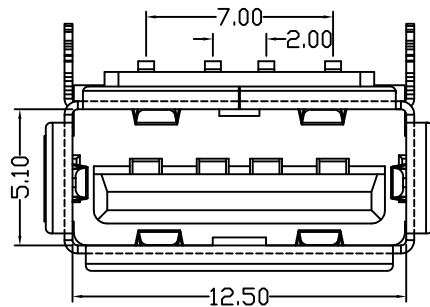
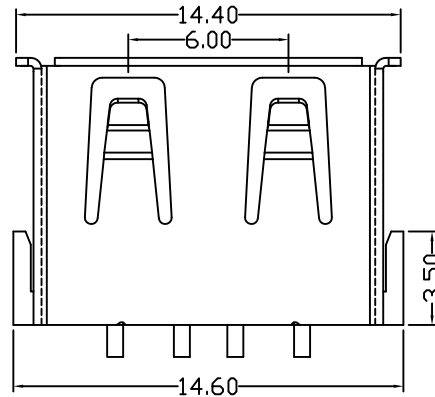
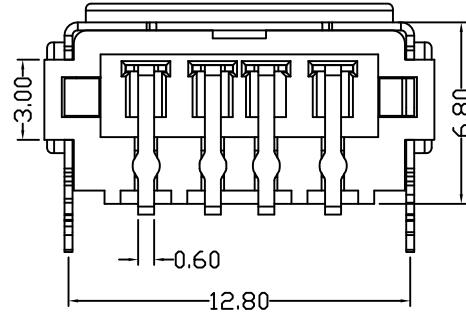


MAPX	MODIFICATION	DATE



Specification:

1. Electrical Characteristics:

Dielectric Withstanding Voltage: AC 500V/1MINUTE.
Insulation Resistance: 1000 MΩ/Min.
Contact Resistance: 30 mΩ Max.

2. Mechanical Characteristics:

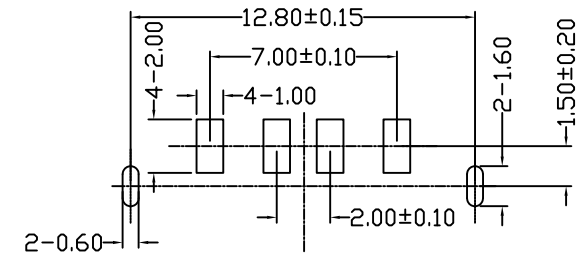
INSERTION FORCE: 30N(3.06Kgf) MAX
EXTRACTION FORCE: 10~30N(1.02~3.06Kgf)
Durability: 1500cycles. EXTRACTION FORCE: 10~30N(1.02~3.06Kgf)

3. Material:

Terminal: Phosphor Bronze, C5191/C2680R-EH T=0.25
Plating: Gold 0.76 um Min plating over 1.27 um Min Nickel underplate, 2.54 um Min Sn selective plating on solder tail;
Shell: Bronze, C2680R-H =0.30mm
Plating: Nickel underplate 2.54 um Min;
Housing: LCP Black

4. Environmental:

Operating Temperature: 0°C to +85°C.



RECOMMENDED P.C.B LAYOUT

SMT/胶芯T=6.50

<p>产品图 PRODUCT CHART DWG</p> <p>公差一览表 TOLERANCE UNLESS OTHERWISE</p>									
X.	+0.30	X.	±5.°	单位	MM	制图	Z-Y-B	制图料号	JTJ-USB-A/F-10.0-032
.X	+0.25	.X	±2.°	UNITS		DRAWING		PRODUCT PART NO.	
.XX	+0.15	.XX	±1.°	比例	1:1	审核		产品名称	USB A/F SMT 短体后两脚有边
.XXX	+0.10	.XXX	±0.5°	SCALE		CHKD		PRODUCT NO.	
				日期	2012.04.1	核准		角法	版本
				DATE		APPD		VIEW	VER
								AD	