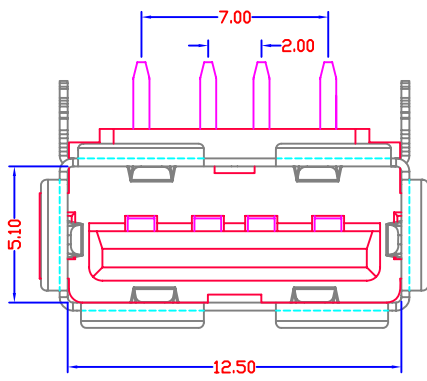
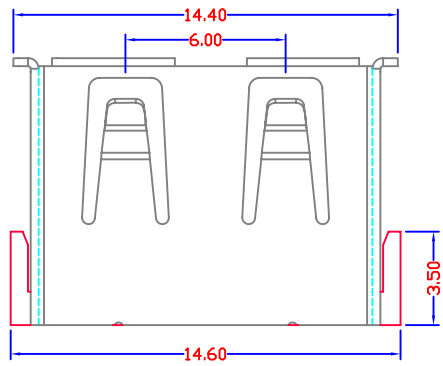
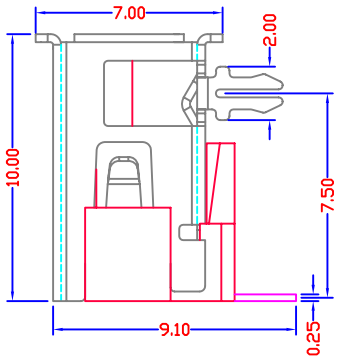
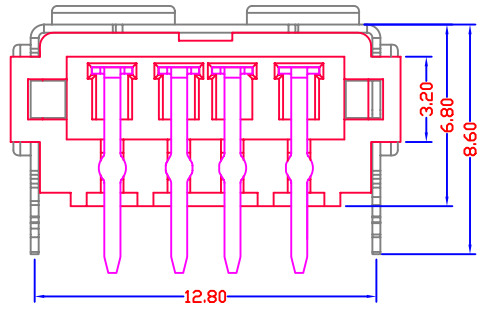


MAPX	MODIFICATION	DATE



Specification:

1. Electrical Characteristics:

Dielectric Withstanding Voltage: AC 500V/1MINUTE.
Insulation Resistance: 1000 MΩ/Min.
Contact Resistance: 30 mΩ Max.

2. Mechanical Characteristics:

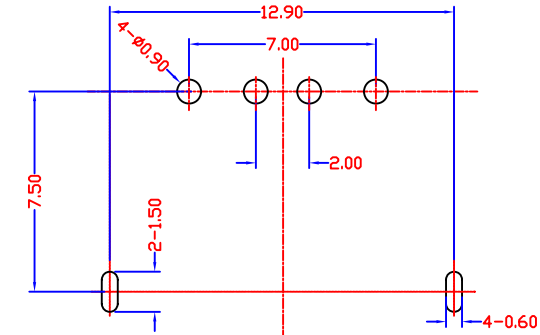
INSERTION FORCE: 30N(3.06KgF) MAX
EXTRACTION FORCE: 10~30N(1.02~3.06KgF)
Durability:1500cycles.EXTRACTION FORCE:10~30N(1.02~3.06KgF)

3. Material:

Terminal: Phosphor Bronze, C5191/C2680R-EH T=0.25
Plating: Gold 0.76 um Min plating over 1.27 um Min Nickel underplate, 2.54 um Min Sn selective plating on solder tail;
Shell: Bronze, C2680R-H =0.30mm
Plating: Nickel underplate 2.54 um Min;
Housing: LCP Black

4. Environmental:

Operating Temperature: 0°C to +85°C.



RECOMMENDED P.C.B LAYOUT

<p>产品图 PRODUCT CHART DWG</p> <p>公差一览表 TOLERANCE UNLESS OTHERWISE</p>				单位 UNITS	MM	制图 DRAWING	Z-Y-B	制图料号 PRODUCT PART NO	JTJ-USB-A/F-10.0-007
X.	±0.15	X.	±5.°	比例 SCALE	1:1	审核 CHKD		产品名称 PRODUCT NAME	USB A/F 90° 短体前两脚有缺口
.XX	±0.10	.XX	±2.°	日期 DATE	2012.04.1	核准 APPD		角法 VIEW	版本 VER
.XXX	±0.05	.XXX	±1.°						AD
	±0.03		±0.5°						