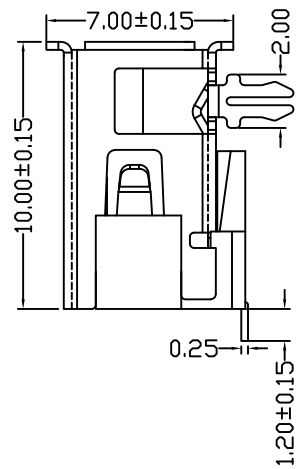
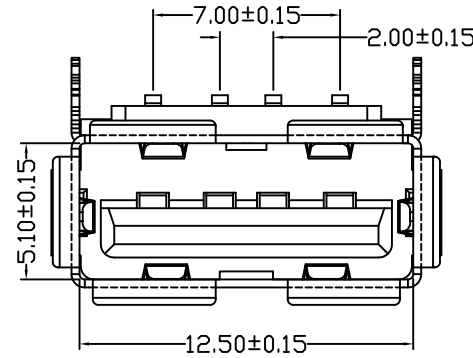
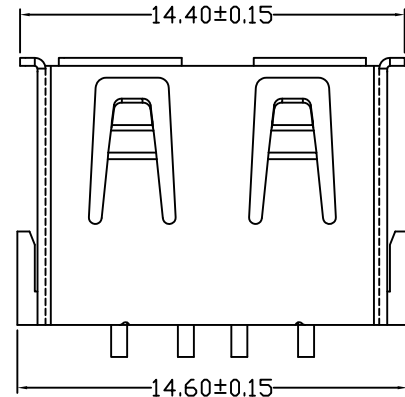
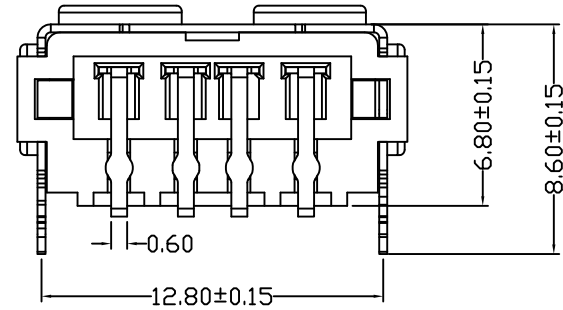


MAPX	MODIFICATION	DATE



Specification:

1. Electrical Characteristics:

Dielectric Withstanding Voltage: AC 500V/1MINUTE.  
Insulation Resistance: 1000 MΩ/Min.  
Contact Resistance: 30 mΩ Max.

2. Mechanical Characteristics:

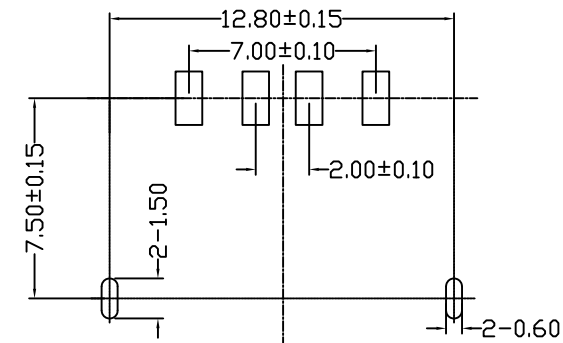
INSERTION FORCE: 30N(3.06Kgf) MAX  
EXTRACTION FORCE: 10~30N(1.02~3.06Kgf)  
Durability: 1500cycles. EXTRACTION FORCE: 10~30N(1.02~3.06Kgf)

3. Material:

Terminal: Phosphor Bronze, C5191/C2680R-EH T=0.25  
Plating: Gold 0.76 um Min plating over 1.27 um Min Nickel underplate, 2.54 um Min Sn selective plating on solder tail;  
Shell: Bronze, C2680R-H =0.30mm  
Plating: Nickel underplate 2.54 um Min;  
Housing: LCP Black

4. Environmental:

Operating Temperature: 0°C to +85°C.



RECOMMENDED P.C.B LAYOUT

SMT/胶芯T=6.50

<p>产品图 PRODUCT CHART DWG</p> <p>公差一览表 TOLERANCE UNLESS OTHERWISE</p>				<p>单位 UNITS</p>		<p>制图 DRAWING</p>		<p>制图料号 PRODUCT PART NO</p>		<p>JTJ-USB-A/F-10.0-034</p>	
X.	±0.30	X.	±5.°	MM	Z-Y-B	审核 CHKD	产品名称 PRODUCT NAME	USB A/F SMT 短体前两脚有缺口			
.X	±0.25	.X	±2.°	比例 SCALE	1:1	日期 DATE	角法 VIEW	版本 VER	AD		
.XX	±0.15	.XX	±1.°	日期 DATE	2012.04.1	核准 APPD	角法 VIEW	版本 VER	AD		
.XXX	±0.10	.XXX	±0.5°								