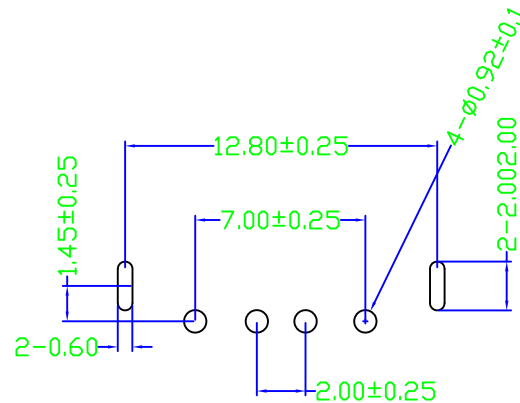
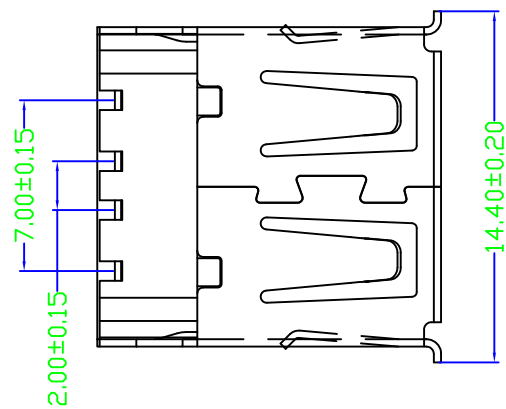
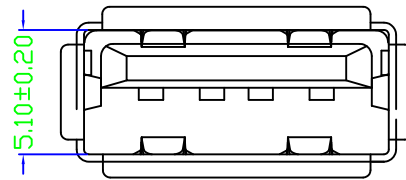
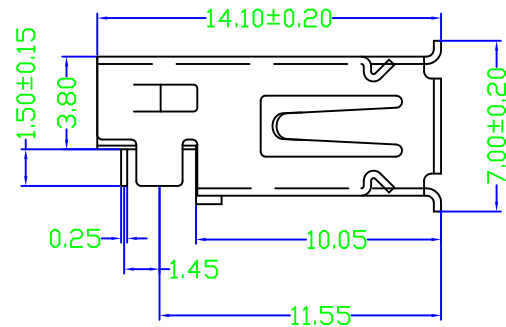


目錄 MAPX	設變內容 MODIFICATION	日期 DATE



RECOMMENDED P.C.B LAYOUT

备注：侧弹分为外弹与内弹

NOTES:
 Housing: Thermoplastics
 Shell: Copper Alloy/Steel
 Voltage Current Rating: 1.5 AMP. 30V AC
 Insulation Resistance: 1000MΩ Min.
 Contact Resistance: 30 MΩ Max.
 Dielectric Withstanding Voltage: 500V AC
 Temperature Range: -35°C to +85°C
 Insulator color: Black/White
 Plastic material: PBT/LCP/Others
 Shell finish: Nickel plated/Tin-Lead plated
 Mechanical:
 Mating Force: 3.5KG MAX
 Unmating Force: 0.7 KG MIN.
 Contact finish:
 01: Selective Gold Flash
 02: Selective Gold 3U"
 03: Selective Gold 5U"
 04: Selective Gold 15U"
 05: Selective Gold 30U"

产品图 PRODUCT CHART DWG									
公差一览表 TOLERANCE UNLESS OTHERWISE				单位 UNITS	MM	制图 DRAWING	Z-Y-B	产品料号 PRODUCT PART NO.	
X.	±0.25	X'	±5°	比例 SCALE	1:1	审核 CHKD		产品名称 PRODUCT NO.	C42623
.XX	±0.15	.XX'	±1°	日期 DATE	2013/10/20	核准 APPD		角法 VIEW	⊕
.XXX	±0.10	.XXX'	±0.5°					版本 VER	A0