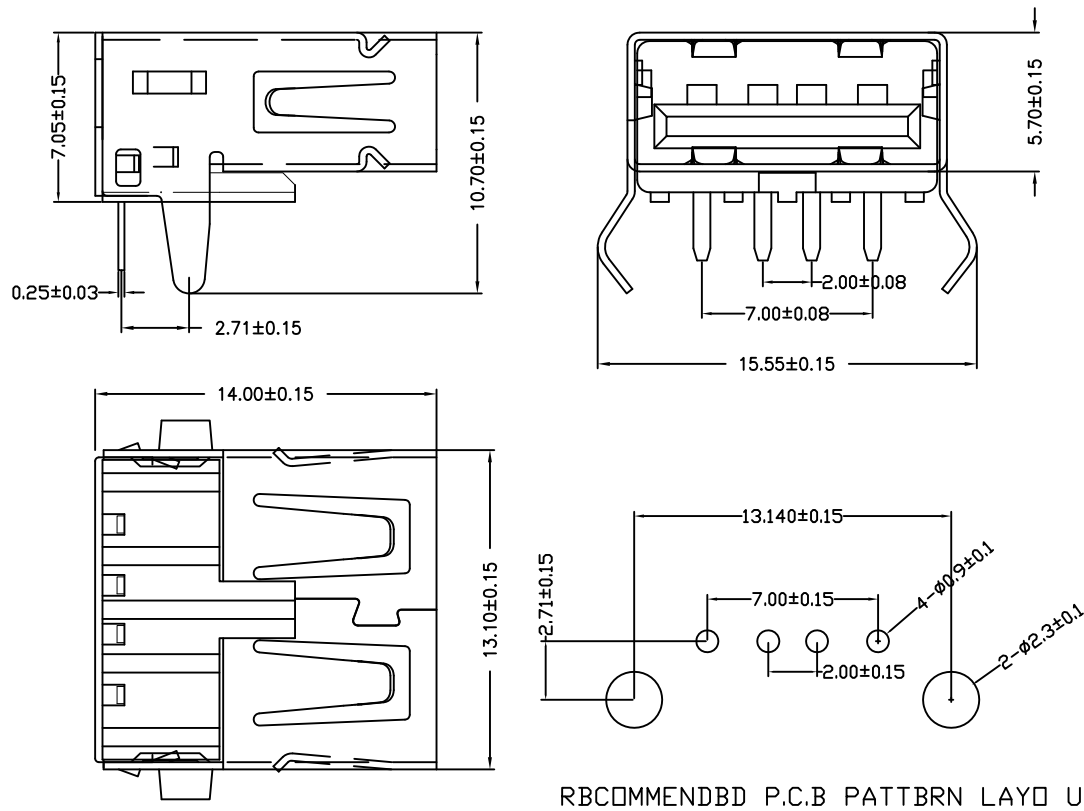


| | | |
|------------|----------------------|------------|
| 目錄 MAPX | 設變內容 MODIFICATION | 日期 DATE |
| | | |



RBCOMMENDBD P.C.B PATTBRN LAYD UT

备注：侧弹分为外弹与内弹

NOTES:
 Housing: Thermoplastics,UL94V-0
 Contact: Copper Alloy
 Shell: Copper Alloy/Steel
 Voltage Current Rating:1.5 AMP. 30V AC
 Insulation Resistance:1000MΩ Min.
 Contact Resistance:30 MΩ Max.
 Dielectric Withstanding Voltage:500W AC
 Temperature Range:-35°C to +85°C
 Insulator color: Black/White
 Plastic material:PBT/LCP/Others
 Shell finish:Nickel plated/Tin-Lead plated
 Mechanical:
 Mating Force: 3.5KG MAX
 Unmating Force: 0.7 KG MIN.
 Contact finish:
 01: Selective Gold Flash
 02: Selective Gold 3U"
 03: Selective Gold 5U"
 04: Selective Gold 15U"
 05: Selective Gold 30U"

| 产品图 PRODUCT CHART DWG | | | | | | | | | | | |
|-------------------------------------|-------|-------|-------|-------------|------------|---------------|-------|--------------------------|---------------|-----------|----|
| 公差一览表 TOLERANCE UNLESS OTHERWISE | | | | 单位 UNITS | MM | 制图 DRAWING | Z-Y-B | 产品料号 PRODUCT PART NO. | JTJ-USB-AF-01 | | |
| X. | ±0.25 | X' | ±5' | 比例 SCALE | 1:1 | 审核 CHKD | | 产品名称 PRODUCT NO. | USB-AF外扣无边弯脚 | | |
| .X | ±0.20 | .X' | ±2' | | | | | | | | |
| .XX | ±0.15 | .XX' | ±1' | 日期 DATE | 2014/10/20 | 核准 APPD | | 角法 VIEW | | 版本 VER | A0 |
| .XXX | ±0.10 | .XXX' | ±0.5' | | | | | | | | |