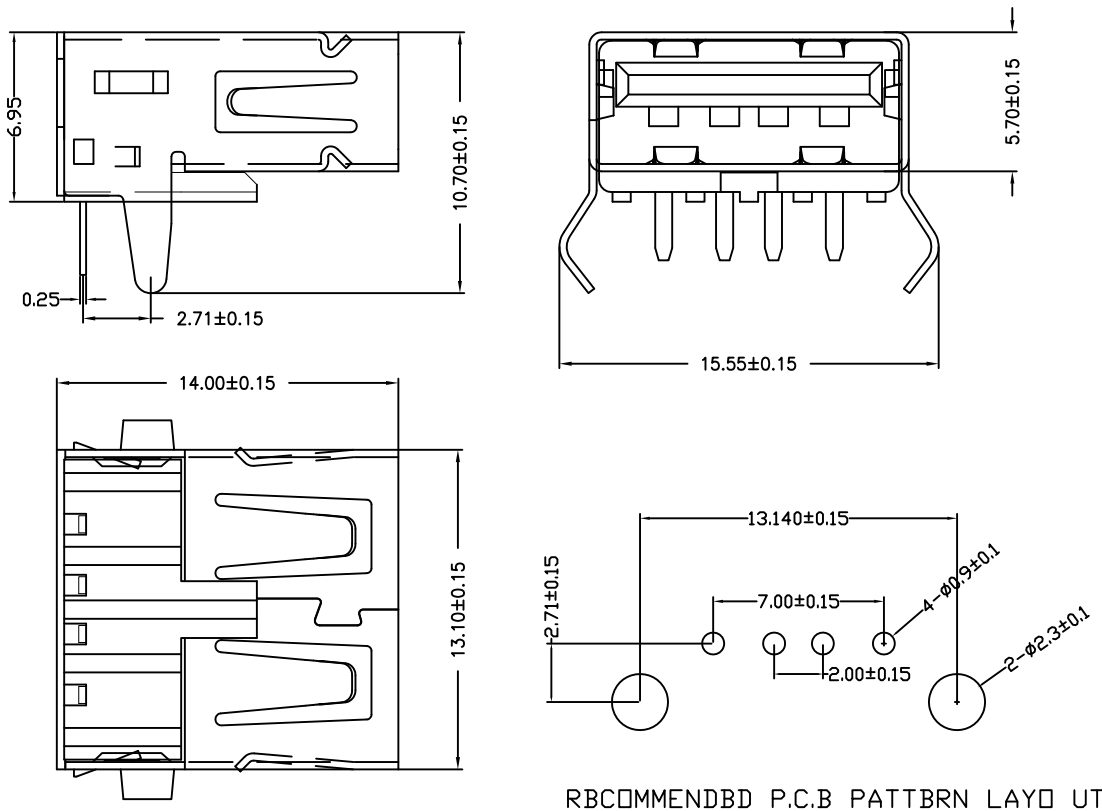


目錄 MAPX	设变内容 MODIFICATION	日期 DATE



RBCOMMENDBD P.C.B PATTBRN LAYD UT

备注：侧弹分为外弹与内弹

NOTES:
 Housing: Thermoplastics,UL94V-0
 Contact: Copper Alloy
 Shell: Copper Alloy/Steel
 Voltage Current Rating:1.5 AMP. 30V AC
 Insulation Resistance:1000MΩ Min.
 Contact Resistance:30 MΩ Max.
 Dielectric Withstanding Voltage:500W AC
 Temperature Range:-35°C to +85°C
 Insulator color: Black/White
 Plastic material:PBT/LCP/Others
 Shell finish:Nickel plated/Tin-Lead plated
 Mechanical:
 Mating Force: 3.5KG MAX
 Unmating Force: 0.7 KG MIN.
 Contact finish:
 01: Selective Gold Flash
 02: Selective Gold 3U"
 03: Selective Gold 5U"
 04: Selective Gold 15U"
 05: Selective Gold 30U"

产品图 PRODUCT CHART DWG					
公差一览表 TOLERANCE UNLESS OTHERWISE					
X.	±0.25	X'	±5°	单位 UNITS	MM
.X	±0.20	.X'	±2°	比例 SCALE	1:1
.XX	±0.15	.XX'	±1°	日期 DATE	2009/10/20
.XXX	±0.10	.XXX'	±0.5°	制图 DRAWING	Z-Y-B
				审核 CHKD	雷永键
				核准 APPD	雷永键
				产品料号 PRODUCT PART NO.	JTJ-USB-AF-04
				产品名称 PRODUCT NO.	USB-AF内扣无边弯脚
				角法 VIEW	⊕ ⊞
				版本 VER	A0