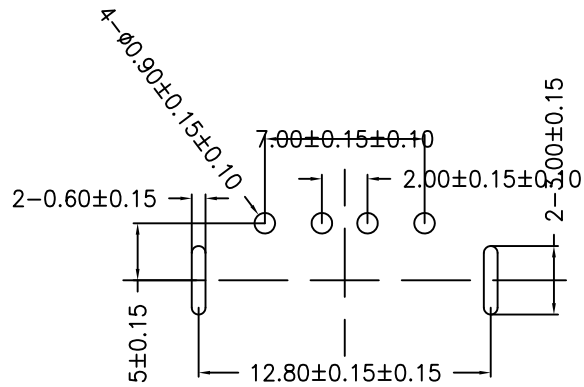
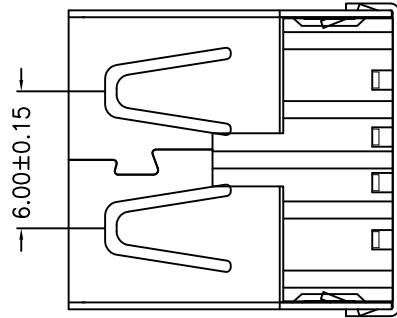
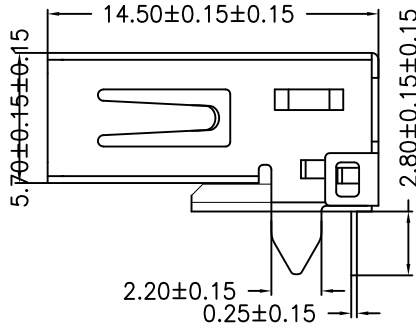
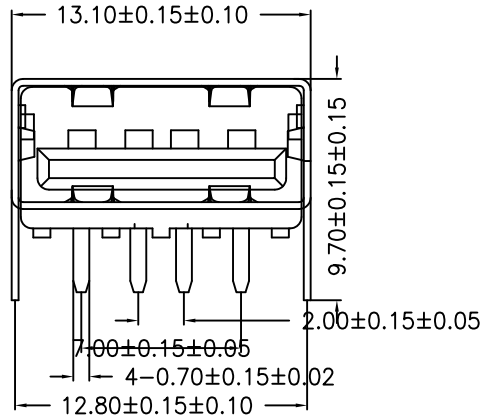


MAPX	MODIFICATION	DATE



RBCOMMENDBD P.C.B PATTBRN LAYD UT

NOTES:

Housing: Thermoplastics,UL94V-0

Contact: Copper Alloy

Shell: Copper Alloy/Steel

Voltage Current Rating:1.5 AMP. 30V AC

Insulation Resistance:1000MΩ Min.

Contact Resistance: 30 MΩ Max.

Dielectric Withstanding Voltage:500W AC

Temperature Range:-35°C to +85°C

Insulator color: Black/White

Plastic material:PBT/LCP/Others

Shell finish:Nickel plated/Tin-Lead plated

Mechanical:

Mating Force: 3.5KG MAX

Unmating Force: 0.7 KG MIN.

Contact finish:

01: Selective Gold Flash

02: Selective Gold 3U"

03: Selective Gold 5U"

04: Selective Gold 15U"

05: Selective Gold 30U"

产品图

PRODUCT CHART DWG

公差一览表

TOLERANCE UNLESS OTHERWISE

X.	±0.25	X.	±5.°
.X	±0.20	.X	±2.°
.XX	±0.15	.XX	±1.°
.XXX	±0.10	.XXX	±0.5°

单位 UNITS	MM	制图 DRAWING	Z-Y-B	制图料号 PRODUCT PART NO.	
比例 SCALE	1:1	审核 CHKD		产品名称 PRODUCT NO.	USB A/F外扣14.50
日期 DATE	2013.07.25	核准 APPD		角法 VIEW	版本 VER

