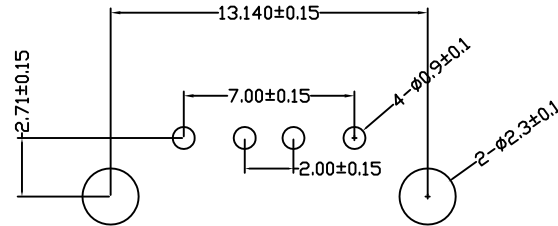
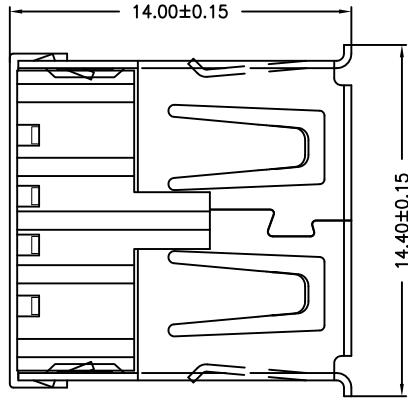
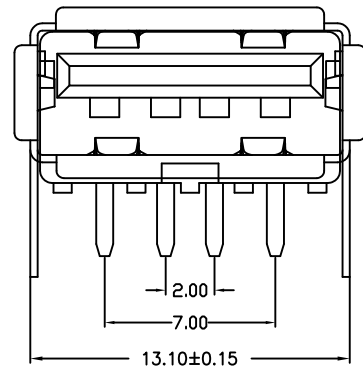
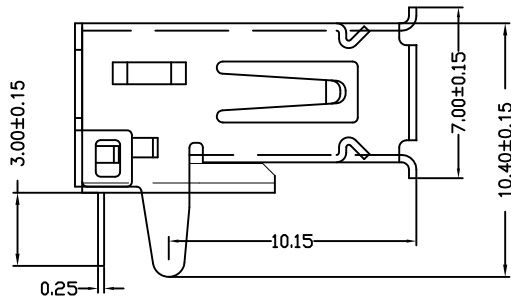


目錄 MAPX	設變內容 MODIFICATION	日期 DATE



RBCOMMENDBD P.C.B PATTBRN LAYO UT

备注：侧弹分为外弹与内弹

NOTES:

Housing: Thermoplastics,UL94V-0

Contact: Copper Alloy

Shell: Copper Alloy/Steel

Voltage Current Rating:1.5 AMP. 30V AC

Insulation Resistance:1000MΩ Min.

Contact Resistance:30 MΩ Max.

Dielectric Withstanding Voltage:500V AC

Temperature Range:-35°C to +85°C

Insulator color: Black/White

Plastic material:PBT/LCP/Others

Shell finish:Nickel plated/Tin-Lead plated

Mechanical:

Mating Force: 3.5KG MAX

Unmating Force: 0.7 KG MIN.

Contact finish:

01: Selective Gold Flash

02: Selective Gold 3U"

03: Selective Gold 5U"

04: Selective Gold 15U"

05: Selective Gold 30U"

产品图 PRODUCT CHART DWG										
公差一览表 TOLERANCE UNLESS OTHERWISE				单位 UNITS	MM	制图 DRAWING	Z-Y-B	产品料号 PRODUCT PART NO.	JTJ-USB-AF-06	
X.	±0.25	X'	±5'	比例 SCALE	1:1	审核 CHKD	雷永键	产品名称 PRODUCT NO.	USB-AF外扣直脚	
.X	±0.20	.X'	±2'						日期 DATE	2013/10/20
.XX	±0.15	.XX'	±1'						版本 VER	A0
.XXX	±0.10	.XXX'	±0.5'							