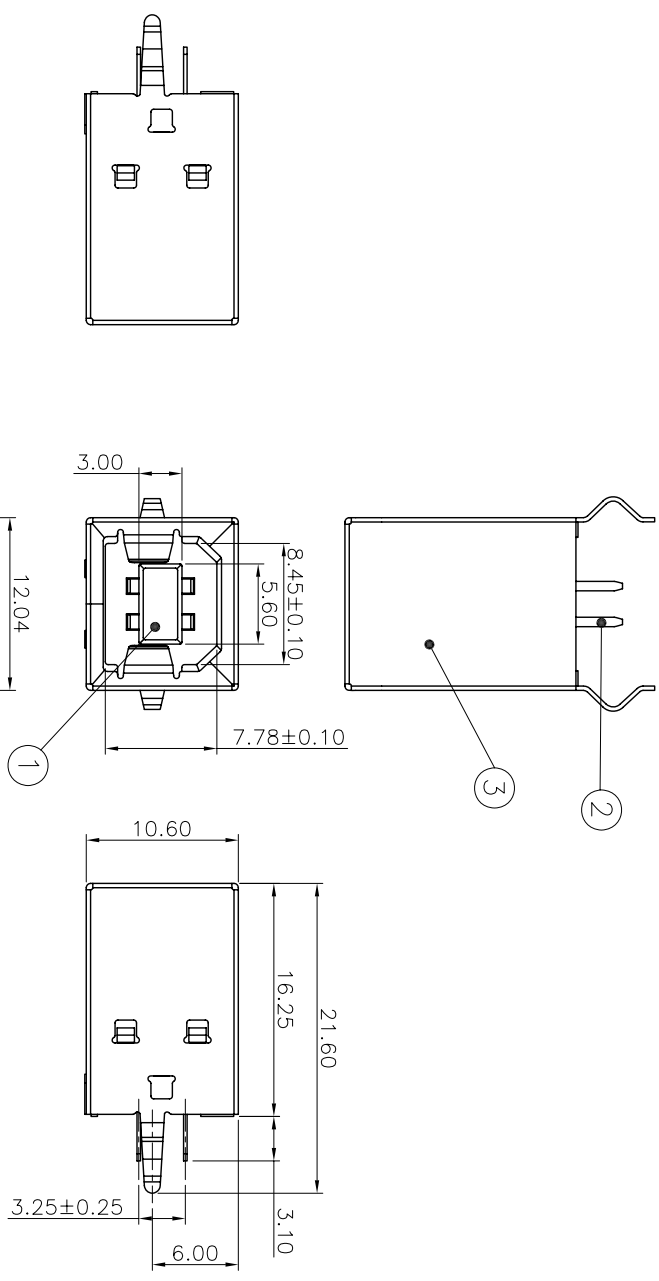


Recommended P.C.B Layout



Specifications:

1. Current Rating: 1.0A at 30V AC.
2. Withstanding Voltage: 500V AC for one minute.
3. Insulation Resistance: 1000MΩ Min.
4. Contact Resistance: 30mΩ Max.
5. Mating Force: 3.57kgf Max.
6. Unmating Force: 1.02kgf Min.

3	外壳	SPCC	—	NICKEL/GOLD PLATED
2	端子	C5191	—	GOLD/TIN PLATED
1	胶芯	PBT	WHITE/BLACK	UL 94V-0
NO.	DESCRIPTION	MATERIAL	COLOR	REMARK

品名		USB BF 180度插板式(铁壳)	
TITLE:			
料号 PART NO.			
SCALE	1:1	UNIT:mm	A4
SHEET: 1 of 1			

REV	DATE	变更说明	变更者	公差	DRAW
A	08/12/23	NEW	孙兵	~ 10	CHECK
B	09/03/24	B1: 减少卡点; B2: 增加防呆槽	孙兵	10 ~ 30	DESIGN
DESCRIPTION					
GENERAL TOLERANCE					
APPRO.					
REVISER					
ANGLE					
±2°					
±0.30					
±0.20					
±0.15					
CHECK					
APPRO.					
DRAW					
DESIGN					
CHECK					
APPRO.					
REVISER					
DATE					
REV					