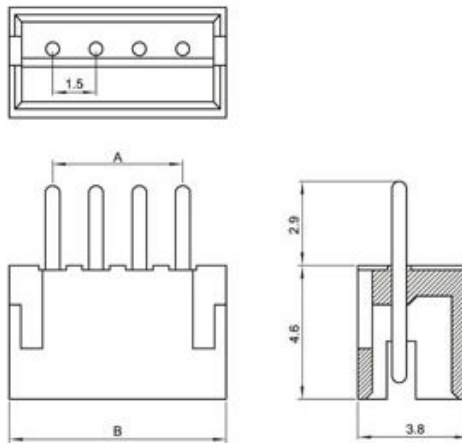


◆ SPECIFICATIONS

Unit:mm

- ◇ Poles: 2~16
- ◇ Applicable wire: AWG#28-#22
- ◇ Voltage rating: 250V DC/AC
- ◇ Current rating: 1.0A
- ◇ Withstand voltage: 500V AC
- ◇ Working Temperature: -25°C ~ +85°C
- ◇ Insulation resistance: $\geq 1000M\Omega$
- ◇ Contact resistance: $\leq 0.02\Omega$
- ◇ Applicable PC board thickness: 0.6~1.2mm

ZH-nA



Poles	Type	Size(mm)	
		A	B
2	ZH-2A	1.5	4.5
3	ZH-3A	3.0	6.0
4	ZH-4A	4.5	7.5
5	ZH-5A	6.0	9.0
6	ZH-6A	7.5	10.5
7	ZH-7A	9.0	12.0
8	ZH-8A	10.5	13.5
9	ZH-9A	12.0	15.0
10	ZH-10A	13.5	16.5
11	ZH-11A	15.0	18.0
12	ZH-12A	16.5	19.5
13	ZH-13A	18.0	21.0
14	ZH-14A	19.5	22.5
15	ZH-15A	21.0	24.0
16	ZH-16A	22.5	25.5

产品图片

