

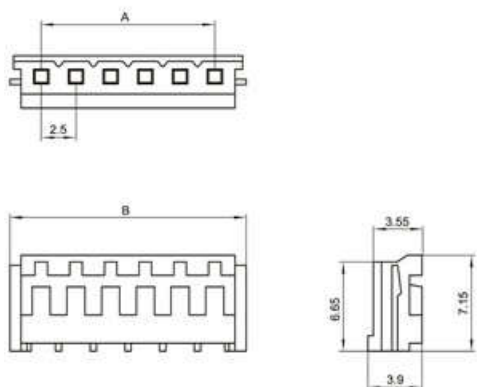
◆ SPECIFICATIONS

Unit:mm

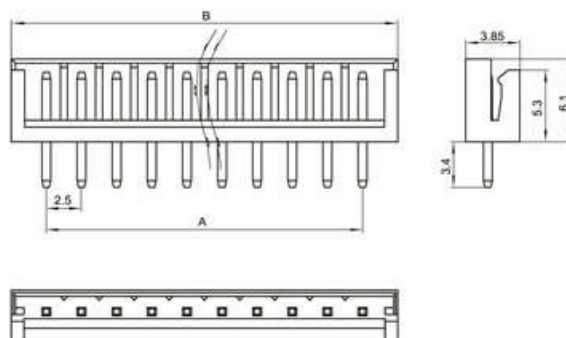
- ◇ Poles: 2~13
- ◇ Applicable wire: AWG#22-#32
- ◇ Voltage rating: 250V DC/AC
- ◇ Current rating: 2.5A
- ◇ Withstand voltage: 800V AC
- ◇ Working Temperature: -25°C~+85°C
- ◇ Insulation resistance:  $\geq 1000M\Omega$
- ◇ Contact resistance:  $\leq 0.01\Omega$
- ◇ Applicable PC board thickness: 1.6mm

UL:Recognized No.E309635  
 RoHS-specification and  
 Halogen-free products

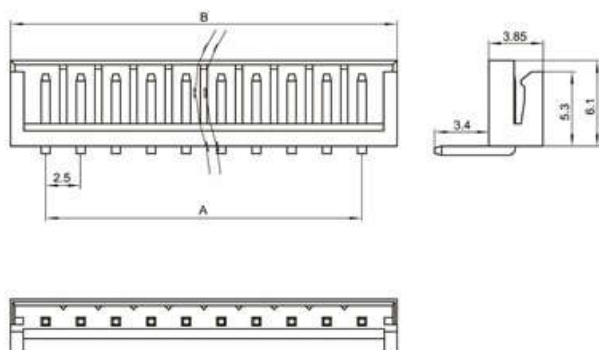
**EH-nY**



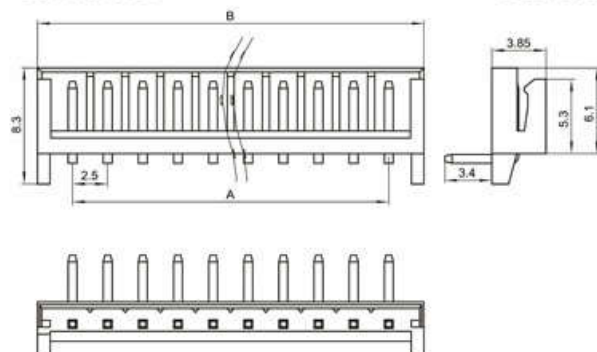
**EH-nA**



**EH-nAW**



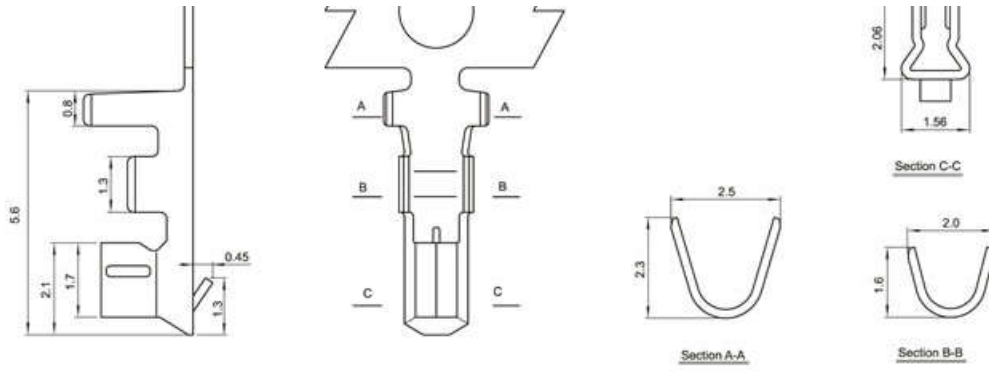
**EH-nAWD**



Unit:mm

**EH-PT**





**Terminal(EH)**

Type	Applicable wires		O.D of wire ins mm	Material	Finish
	mm <sup>2</sup>	AWG#			
BM-EH	0.08-0.3	22-32	1.2-1.9	Phos.bronze	Tin-plated

Poles	Type	Size(mm)	
		A	B
2	EH-2Y	2.5	6.5
3	EH-3Y	5.0	9.0
4	EH-4Y	7.5	11.5
5	EH-5Y	10.0	14.0
6	EH-6Y	12.5	16.5
7	EH-7Y	15.0	19.0
8	EH-8Y	17.5	21.5
9	EH-9Y	20.0	24.0
10	EH-10Y	22.5	26.5
11	EH-11Y	25.0	29.0
12	EH-12Y	27.5	31.5
13	EH-13Y	30.0	34.0
14	EH-14Y	32.5	36.5
15	EH-15Y	35.0	39.0
16	EH-16Y	37.5	41.5

Poles	Type	Size(mm)	
		A	B
2	EH-2A	2.5	7.5
3	EH-3A	5.0	10.0
4	EH-4A	7.5	12.5
5	EH-5A	10.0	15.0
6	EH-6A	12.5	17.5
7	EH-7A	15.0	20.0
8	EH-8A	17.5	22.5
9	EH-9A	20.0	25.0
10	EH-10A	22.5	27.5
11	EH-11A	25.0	30.0
12	EH-12A	27.5	32.5
13	EH-13A	30.0	35.0
14	EH-14A	32.5	37.5
15	EH-15A	35.0	40.0
16	EH-16A	37.5	42.5

**Mounting Measurement**

