



# DP83848C/I/VYB/YB PHYTER™ QFP Single Port 10/100 Mb/s Ethernet Physical Layer Transceiver

## 1 Introduction

### 1.1 Features

- Multiple Temperature Range from –40°C to 105°C
- Low-Power 3.3-V, 0.18- $\mu$ m CMOS Technology
- Low-Power Consumption < 270 mW Typical
- 3.3-V MAC Interface
- Auto-MDIX for 10/100 Mb/s
- Energy Detection Mode
- 25-MHz Clock Output
- SNI Interface (Configurable)
- RMII Rev. 1.2 Interface (Configurable)
- MII Serial Management Interface (MDC and MDIO)
- IEEE 802.3 MII
- IEEE 802.3 Auto-Negotiation and Parallel Detection
- IEEE 802.3 ENDEC, 10BASE-T Transceivers and Filters
- IEEE 802.3 PCS, 100BASE-TX Transceivers and Filters
- IEEE 1149.1 JTAG
- Integrated ANSI X3.263 Compliant TP-PMD Physical Sub-Layer with Adaptive Equalization and Baseline Wander Compensation
- Error-Free Operation up to 150 Meters
- Programmable LED Support for Link, 10/100 Mb/s Mode, Activity, Duplex and Collision Detect
- Single Register Access for Complete PHY Status
- 10/100 Mb/s Packet BIST (Built in Self Test)

### 1.2 Applications

- Automotive/Transportation
- Industrial Controls and Factory Automation
- General Embedded Applications

### 1.3 Description

The number of applications requiring Ethernet connectivity continues to increase, driving Ethernet enabled devices into harsher environments.

The DP83848C/I/VYB/YB was designed to meet the challenge of these new applications with an extended temperature performance that goes beyond the typical Industrial temperature range. The DP83848C/I/VYB/YB is a highly reliable, feature rich, robust device which meets IEEE 802.3 standards over multiple temperature ranges from commercial to extreme temperatures. This device is ideally suited for harsh environments such as wireless remote base stations, automotive/transportation, and industrial control applications.

It offers enhanced ESD protection and the choice of an MII or RMII interface for maximum flexibility in MPU selection; all in a 48 pin package.

The DP83848VYB extends the leadership position of the PHYTER™ family of devices with a wide operating temperature range. The TI line of PHYTER transceivers builds on decades of Ethernet expertise to offer the high performance and flexibility that allows the end user an easy implementation tailored to meet these application needs.

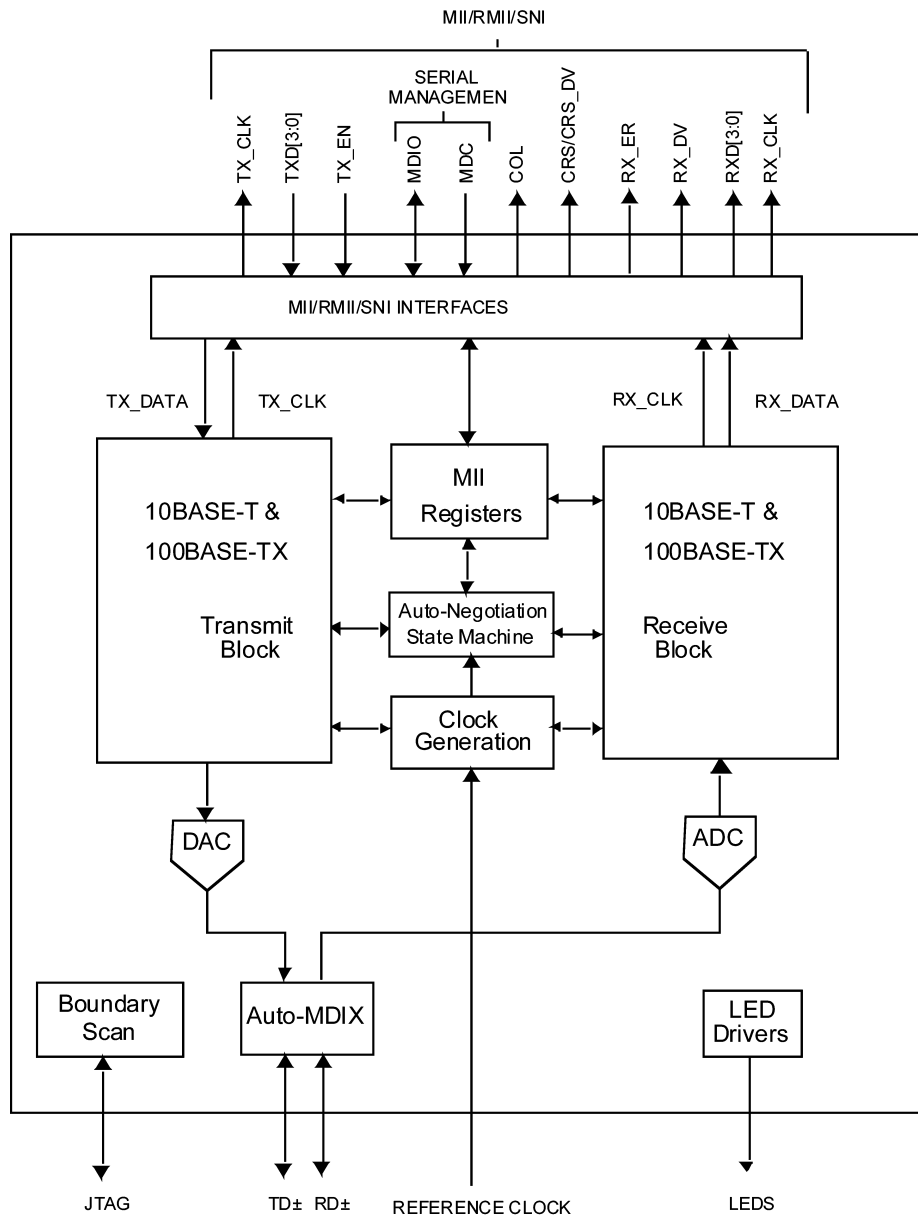
#### Device Information<sup>(1)</sup>

| PART NUMBER   | PACKAGE    | BODY SIZE (NOM)   |
|---------------|------------|-------------------|
| DP83848VYB/YB | HLQFP (48) | 7.00 mm × 7.00 mm |
| DP83848I/C    | LQFP (48)  |                   |

(1) For more information, see [Section 9, Mechanical, Packaging, and Orderable Information](#).



## 1.4 Functional Block Diagram



## Table of Contents

|          |  |                           |          |   |                           |
|----------|--|---------------------------|----------|---|---------------------------|
| <b>1</b> | <b>Introduction</b> .....                    | <b><a href="#">1</a></b>  | 5.3      | Recommended Operating Conditions.....                         | <a href="#">11</a>        |
| 1.1      | Features .....                               | <a href="#">1</a>         | 5.4      | Thermal Information.....                                      | <a href="#">11</a>        |
| 1.2      | Applications.....                            | <a href="#">1</a>         | 5.5      | DC Specifications .....                                       | <a href="#">12</a>        |
| 1.3      | Description.....                             | <a href="#">1</a>         | 5.6      | AC Timing Requirements .....                                  | <a href="#">13</a>        |
| 1.4      | Functional Block Diagram .....               | <a href="#">2</a>         | <b>6</b> | <b>Detailed Description</b> .....                             | <b><a href="#">26</a></b> |
| <b>2</b> | <b>Revision History</b> .....                | <b><a href="#">3</a></b>  | 6.1      | Overview .....  | <a href="#">26</a>        |
| <b>3</b> | <b>Device Comparison</b> .....               | <b><a href="#">4</a></b>  | 6.2      | Functional Block Diagram.....                                 | <a href="#">27</a>        |
| <b>4</b> | <b>Pin Configuration and Functions</b> ..... | <b><a href="#">4</a></b>  | 6.3      | Feature Description .....                                     | <a href="#">28</a>        |
| 4.1      | Pin Layout .....                             | <a href="#">5</a>         | 6.4      | Device Functional Modes .....                                 | <a href="#">33</a>        |
| 4.2      | Package Pin Assignments.....                 | <a href="#">6</a>         | 6.5      | Programming .....   | <a href="#">39</a>        |
| 4.3      | Serial Management Interface.....             | <a href="#">6</a>         | 6.6      | Memory.....   | <a href="#">48</a>        |
| 4.4      | Mac Data Interface .....                     | <a href="#">6</a>         | <b>7</b> | <b>Application, Implementation, and Layout</b> .....          | <b><a href="#">68</a></b> |
| 4.5      | Clock Interface .....                        | <a href="#">7</a>         | 7.1      | Application Information.....                                  | <a href="#">68</a>        |
| 4.6      | LED Interface.....                           | <a href="#">8</a>         | 7.2      | Typical Application .....                                     | <a href="#">68</a>        |
| 4.7      | JTAG Interface for DP83848I/VYB/YB .....     | <a href="#">8</a>         | 7.3      | Layout .....  | <a href="#">76</a>        |
| 4.8      | Reset and Power Down .....                   | <a href="#">8</a>         | 7.4      | Power Supply Recommendations.....                             | <a href="#">78</a>        |
| 4.9      | Strap Options.....                           | <a href="#">8</a>         | <b>8</b> | <b>Device and Documentation Support</b> .....                 | <b><a href="#">79</a></b> |
| 4.10     | 10 Mb/s and 100 Mb/s PMD Interface .....     | <a href="#">9</a>         | 8.1      | Documentation Support .....                                   | <a href="#">79</a>        |
| 4.11     | Special Connections .....                    | <a href="#">10</a>        | 8.2      | Related Links.....  | <a href="#">79</a>        |
| 4.12     | Power Supply Pins .....                      | <a href="#">10</a>        | 8.3      | Trademarks.....   | <a href="#">79</a>        |
| <b>5</b> | <b>Specifications</b> .....                  | <b><a href="#">11</a></b> | 8.4      | Electrostatic Discharge Caution.....                          | <a href="#">79</a>        |
| 5.1      | Absolute Maximum Ratings .....               | <a href="#">11</a>        | 8.5      | Glossary .....  | <a href="#">79</a>        |
| 5.2      | ESD Ratings .....                            | <a href="#">11</a>        | <b>9</b> | <b>Mechanical, Packaging, and Orderable Information</b> ..... | <b><a href="#">79</a></b> |

## 2 Revision History

NOTE: Page numbers for previous revisions may differ from page numbers in the current version.

| <b>Changes from Revision D (April 2013) to Revision E</b>   | <b>Page</b>       |
|---|-------------------|
| <ul style="list-style-type: none"> <li>Added <i>ESD Ratings</i> table, <i>Feature Description</i> section, <i>Device Functional Modes</i>, <i>Application and Implementation</i> section, <i>Power Supply Recommendations</i> section, <i>Layout</i> section, <i>Device and Documentation Support</i> section, and <i>Mechanical, Packaging, and Orderable Information</i> section .....</li> </ul> | <a href="#">1</a> |

| <b>Changes from Revision C (April 2013) to Revision D</b>  | <b>Page</b>        |
|--|--------------------|
| <ul style="list-style-type: none"> <li>Changed layout of National Data Sheet to TI format .....</li> </ul> | <a href="#">67</a> |

### 3 Device Comparison

**Table 3-1. Device Features Comparison**

| DEVICE     | TEMPERATURE RANGE |       | TEMPERATURE GRADE |
|------------|-------------------|-------|-------------------|
| DP83848C   | 0°C               | 70°C  | Commercial        |
| DP83848I   | -40°C             | 85°C  | Industrial        |
| DP83848VYB | -40°C             | 105°C | Extended          |
| DP83848YB  | -40°C             | 125°C | Extreme           |

### 4 Pin Configuration and Functions

The DP83848VYB pins are classified into the following interface categories (each interface is described in the sections that follow):

- Serial Management Interface
- MAC Data Interface
- Clock Interface
- LED Interface
- JTAG Interface
- Reset and Power Down
- Strap Options
- 10/100 Mb/s PMD Interface
- Special Connect Pins
- Power and Ground pins

**NOTE**

Strapping pin option. See [Section 4.9](#) for strap definitions.

All DP83848VYB signal pins are I/O cells regardless of the particular use. The definitions below define the functionality of the I/O cells for each pin.

**Type: I** Input

**Type: O** Output

**Type: I/O** Input/Output

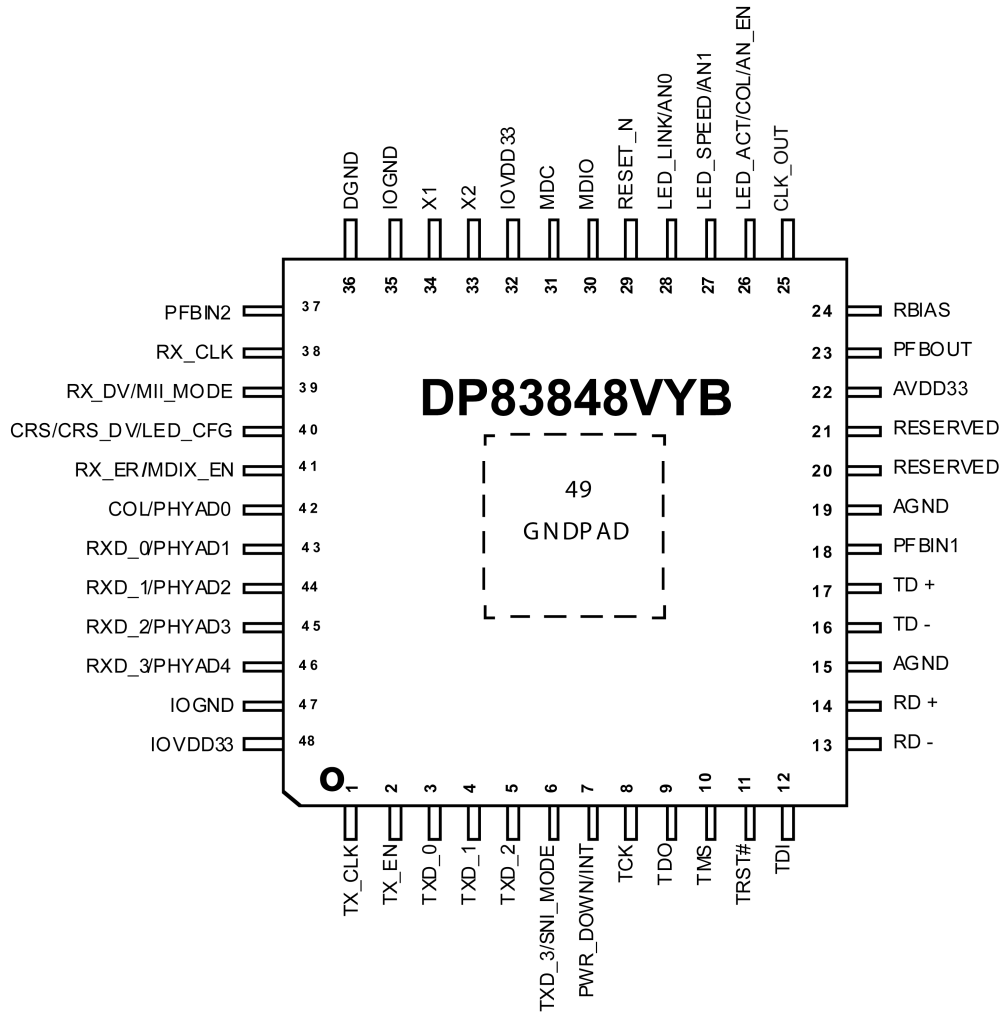
**Type: OD** Open Drain

**Type: PD,PU** Internal Pulldown/Pullup

**Type: S** Strapping Pin (All strap pins have weak internal pullups or pulldowns. If the default strap value is to be changed then an external 2.2 kΩ resistor should be used. See [Section 4.9](#) for details.)

## 4.1 Pin Layout

PTB Package  
48-Pin HLQFP  
Top View



## 4.2 Package Pin Assignments

| VBH48A PIN # | PIN NAME       | VBH48A PIN # | PIN NAME           |
|--------------|----------------|--------------|--------------------|
| 1            | TX_CLK         | 26           | LED_ACT/COL/AN_EN  |
| 2            | TX_EN          | 27           | LED_SPEED/AN1      |
| 3            | TXD_0          | 28           | LED_LINK/AN0       |
| 4            | TXD_1          | 29           | RESET_N            |
| 5            | TXD_2          | 30           | MDIO               |
| 6            | TXD_3/SNI_MODE | 31           | MDC                |
| 7            | PWR_DOWN/INT   | 32           | IOVDD33            |
| 8            | TCK            | 33           | X2                 |
| 9            | TDO            | 34           | X1                 |
| 10           | TMS            | 35           | IOGND              |
| 11           | TRST#          | 36           | DGND               |
| 12           | TDI            | 37           | PFBIN2             |
| 13           | RD -           | 38           | RX_CLK             |
| 14           | RD +           | 39           | RX_DV/MII_MODE     |
| 15           | AGND           | 40           | CRS/CRS_DV/LED_CFG |
| 16           | TD -           | 41           | RX_ER/MDIX_EN      |
| 17           | TD +           | 42           | COL/PHYAD0         |
| 18           | PFBIN1         | 43           | RXD_0/PHYAD1       |
| 19           | AGND           | 44           | RXD_1/PHYAD2       |
| 20           | RESERVED       | 45           | RXD_2/PHYAD3       |
| 21           | RESERVED       | 46           | RXD_3/PHYAD4       |
| 22           | AVDD33         | 47           | IOGND              |
| 23           | PFBOUT         | 48           | IOVDD33            |
| 24           | RBIAS          | 49           | GNDPAD             |
| 25           | CLK_OUT        |              |                    |

## 4.3 Serial Management Interface

| SIGNAL NAME | TYPE | PIN # | DESCRIPTION  |
|-------------|------|-------|--|
| MDC         | I    | 31    | <b>MANAGEMENT DATA CLOCK:</b> Synchronous clock to the MDIO management data input/output serial interface which may be asynchronous to transmit and receive clocks. The maximum clock rate is 25 MHz with no minimum clock rate. |
| MDIO        | I/O  | 30    | <b>MANAGEMENT DATA I/O:</b> Bi-directional management instruction/data signal that may be sourced by the station management entity or the PHY. This pin requires a 1.5 kΩ pullup resistor.                                       |

## 4.4 Mac Data Interface

| SIGNAL NAME | TYPE  | PIN # | DESCRIPTION  |
|-------------|-------|-------|--|
| TX_CLK      | O     | 1     | <b>MII TRANSMIT CLOCK:</b> 25 MHz Transmit clock output in 100 Mb/s mode or 2.5 MHz in 10 Mb/s mode derived from the 25 MHz reference clock.<br>Unused in RMII mode. The device uses the X1 reference clock input as the 50 MHz reference for both transmit and receive.<br><b>SNI TRANSMIT CLOCK:</b> 10 MHz Transmit clock output in 10 Mb SNI mode. The MAC should source TX_EN and TXD_0 using this clock. |
| TX_EN       | I, PD | 2     | <b>MII TRANSMIT ENABLE:</b> Active high input indicates the presence of valid data inputs on TXD[3:0].<br><b>RMII TRANSMIT ENABLE:</b> Active high input indicates the presence of valid data on TXD[1:0].<br><b>SNI TRANSMIT ENABLE:</b> Active high input indicates the presence of valid data on TXD_0.   |

| SIGNAL NAME                      | TYPE              | PIN #                | DESCRIPTION  |
|----------------------------------|-------------------|----------------------|--|
| TXD_0<br>TXD_1<br>TXD_2<br>TXD_3 | I<br><br>S, I, PD | 3<br>4<br>5<br>6     | <p><b>MII TRANSMIT DATA:</b> Transmit data MII input pins, TXD[3:0], that accept data synchronous to the TX_CLK (2.5 MHz in 10 Mb/s mode or 25 MHz in 100 Mb/s mode).</p> <p><b>RMII TRANSMIT DATA:</b> Transmit data RMII input pins, TXD[1:0], that accept data synchronous to the 50 MHz reference clock.</p> <p><b>SNI TRANSMIT DATA:</b> Transmit data SNI input pin, TXD_0, that accept data synchronous to the TX_CLK (10 MHz in 10 Mb/s SNI mode).</p>   |
| RX_CLK                           | O                 | 38                   | <p><b>MII RECEIVE CLOCK:</b> Provides the 25 MHz recovered receive clocks for 100 Mb/s mode and 2.5 MHz for 10 Mb/s mode. Unused in RMII mode. The device uses the X1 reference clock input as the 50 MHz reference for both transmit and receive.</p> <p><b>SNI RECEIVE CLOCK:</b> Provides the 10 MHz recovered receive clocks for 10 Mb/s SNI mode.</p>   |
| RX_DV                            | S, O, PD          | 39                   | <p><b>MII RECEIVE DATA VALID:</b> Asserted high to indicate that valid data is present on the corresponding RXD[3:0]. MII mode by default with internal pulldown.</p> <p><b>RMII Synchronous RECEIVE DATA VALID:</b> This signal provide the RMII Receive Data Valid indication independent of Carrier Sense. This pin is not used in SNI mode.</p>  |
| RX_ER                            | S, O, PU          | 41                   | <p><b>MII RECEIVE ERROR:</b> Asserted high synchronously to RX_CLK to indicate that an invalid symbol has been detected within a received packet in 100 Mb/s mode.</p> <p><b>RMII RECEIVE ERROR:</b> Asserted high synchronously to X1 whenever an invalid symbol is detected, and CRS_DV is asserted in 100 Mb/s mode. This pin is not required to be used by a MAC in either MII or RMII mode, since the Phy is required to corrupt data on a receive error. This pin is not used in SNI mode.</p>   |
| RXD_0<br>RXD_1<br>RXD_2<br>RXD_3 | S, O, PD          | 43<br>44<br>45<br>46 | <p><b>MII RECEIVE DATA:</b> Nibble wide receive data signals driven synchronously to the RX_CLK, 25 MHz for 100 Mb/s mode, 2.5 MHz for 10 Mb/s mode). RXD[3:0] signals contain valid data when RX_DV is asserted.</p> <p><b>RMII RECEIVE DATA:</b> 2-bits receive data signals, RXD[1:0], driven synchronously to the X1 clock, 50 MHz.</p> <p><b>SNI RECEIVE DATA:</b> Receive data signal, RXD_0, driven synchronously to the RX_CLK. RXD_0 contains valid data when CRS is asserted. RXD[3:1] are not used in this mode.</p>  |
| CRS/CRS_D<br>V                   | S, O, PU          | 40                   | <p><b>MII CARRIER SENSE:</b> Asserted high to indicate the receive medium is non-idle.</p> <p><b>RMII CARRIER SENSE/RECEIVE DATA VALID:</b> This signal combines the RMII Carrier and Receive Data Valid indications. For a detailed description of this signal, see the RMII Specification.</p> <p><b>SNI CARRIER SENSE:</b> Asserted high to indicate the receive medium is non-idle. It is used to frame valid receive data on the RXD_0 signal.</p>  |
| COL                              | S, O, PU          | 42                   | <p><b>MII COLLISION DETECT:</b> Asserted high to indicate detection of a collision condition (simultaneous transmit and receive activity) in 10 Mb/s and 100 Mb/s Half Duplex Modes. While in 10BASE-T Half Duplex mode with heartbeat enabled this pin is also asserted for a duration of approximately 1<math>\mu</math>s at the end of transmission to indicate heartbeat (SQE test). In Full Duplex Mode, for 10 Mb/s or 100 Mb/s operation, this signal is always logic 0. There is no heartbeat function during 10 Mb/s full duplex operation.</p> <p><b>RMII COLLISION DETECT:</b> Per the RMII Specification, no COL signal is required. The MAC will recover CRS from the CRS_DV signal and use that along with its TX_EN signal to determine collision.</p> <p><b>SNI COLLISION DETECT:</b> Asserted high to indicate detection of a collision condition (simultaneous transmit and receive activity) in 10 Mb/s SNI mode.</p> |

#### 4.5 Clock Interface

| SIGNAL NAME | TYPE | PIN # | DESCRIPTION  |
|-------------|------|-------|--|
| X1          | I    | 34    | <p><b>CRYSTAL/OSCILLATOR INPUT:</b> This pin is the primary clock reference input for the DP83848C/I/VYB/YB and must be connected to a 25 MHz 0.005% (<math>\pm</math>50 ppm) clock source. The DP83848C/I/VYB/YB supports either an external crystal resonator connected across pins X1 and X2, or an external CMOS-level oscillator source connected to pin X1 only.</p> <p><b>RMII REFERENCE CLOCK:</b> This pin is the primary clock reference input for the RMII mode and must be connected to a 50 MHz 0.005% (<math>\pm</math>50 ppm) CMOS-level oscillator source.</p> |
| X2          | O    | 33    | <p><b>CRYSTAL OUTPUT:</b> This pin is the primary clock reference output to connect to an external 25 MHz crystal resonator device. This pin must be left unconnected if an external CMOS oscillator clock source is used.</p>   |
| CLK_OUT     | O    | 25    | <p><b>25 MHz CLOCK OUTPUT:</b><br/>In MII mode, this pin provides a 25 MHz clock output to the system.<br/>In RMII mode, this pin provides a 50 MHz clock output to the system.<br/>This allows other devices to use the reference clock from the DP83848VYB without requiring additional clock sources.</p>   |

## 4.6 LED Interface

See [Table 6-2](#) for LED Mode Selection.

| SIGNAL NAME | TYPE     | PIN # | DESCRIPTION  |
|-------------|----------|-------|--|
| LED_LINK    | S, O, PU | 28    | <b>LINK LED:</b> In Mode 1, this pin indicates the status of the LINK. The LED will be ON when Link is good.<br><b>LINK/ACT LED:</b> In Mode 2 and Mode 3, this pin indicates transmit and receive activity in addition to the status of the Link. The LED will be ON when Link is good. It will blink when the transmitter or receiver is active. |
| LED_SPEED   | S, O, PU | 27    | <b>SPEED LED:</b> The LED is ON when device is in 100 Mb/s and OFF when in 10 Mb/s. Functionality of this LED is independent of mode selected.   |
| LED_ACT/COL | S, O, PU | 26    | <b>ACTIVITY LED:</b> In Mode 1, this pin is the Activity LED which is ON when activity is present on either Transmit or Receive.<br><b>COLLISION/DUPLEX LED:</b> In Mode 2, this pin by default indicates Collision detection. For Mode 3, this LED output may be programmed to indicate Full-duplex status instead of Collision.                  |

## 4.7 JTAG Interface for DP83848I/VYB/YB

| SIGNAL NAME | TYPE  | PIN # <sup>(1)</sup> | DESCRIPTION  |
|-------------|-------|----------------------|--|
| TCK         | I, PU | 8                    | <b>TEST CLOCK</b><br>This pin has a weak internal pullup.                                      |
| TDI         | I, PU | 12                   | <b>TEST DATA INPUT</b><br>This pin has a weak internal pullup.                                 |
| TDO         | O     | 9                    | <b>TEST OUTPUT</b>   |
| TMS         | I, PU | 10                   | <b>TEST MODE SELECT</b><br>This pin has a weak internal pullup.                                |
| TRST#       | I, PU | 11                   | <b>TEST RESET:</b> Active low asynchronous test reset.<br>This pin has a weak internal pullup. |

(1) DP83848C does not support JTAG. Pins 8-12 should be left unconnected.

## 4.8 Reset and Power Down

| SIGNAL NAME  | TYPE  | PIN # | DESCRIPTION  |
|--------------|-------|-------|--|
| RESET_N      | I, PU | 29    | <b>RESET:</b> Active Low input that initializes or re-initializes the DP83848VYB. Asserting this pin low for at least 1 $\mu$ s will force a reset process to occur. All internal registers will re-initialize to their default states as specified for each bit in the <a href="#">Section 6.6</a> section. All strap options are re-initialized as well.   |
| PWR_DOWN/INT | I, PU | 7     | See <a href="#">Section 7.2.1.3.1</a> for detailed description.<br>The default function of this pin is POWER DOWN.<br><b>POWER DOWN:</b> The pin is an active low input in this mode and should be asserted low to put the device in a Power Down mode.<br><b>INTERRUPT:</b> The pin is an open drain output in this mode and will be asserted low when an interrupt condition occurs. Although the pin has a weak internal pullup, some applications may require an external pullup resistor. Register access is required for the pin to be used as an interrupt mechanism. See <a href="#">Section 7.2.1.3.1.2</a> for more details on the interrupt mechanisms. |

## 4.9 Strap Options

The DP83848VYB uses many of the functional pins as strap options. The values of these pins are sampled during reset and used to strap the device into specific modes of operation. The strap option pin assignments are defined below. The functional pin name is indicated in parentheses.

A 2.2 k $\Omega$  resistor should be used for pulldown or pullup to change the default strap option. If the default option is required, then there is no need for external pullup or pulldown resistors. Since these pins may have alternate functions after reset is deasserted, they should not be connected directly to  $V_{CC}$  or GND.



| SIGNAL NAME  | TYPE                 | PIN #                      | DESCRIPTION  |          |          |                    |             |   |          |   |                       |           |   |   |                       |   |   |   |                         |   |   |   |                         |       |     |     |                 |   |   |   |                            |   |   |   |                              |   |   |   |   |   |   |   |   |
|--|----------------------|----------------------------|--|----------|----------|--------------------|-------------|---|----------|---|-----------------------|-----------|---|---|-----------------------|---|---|---|-------------------------|---|---|---|-------------------------|-------|-----|-----|-----------------|---|---|---|----------------------------|---|---|---|------------------------------|---|---|---|---|---|---|---|---|
| PHYAD0 (COL)<br>PHYAD1 (RXD1_0)<br>PHYAD2 (RXD0_1)<br>PHYAD3 (RXD1_2)<br>PHYAD4 (RXD1_3) | S, O, PU<br>S, O, PD | 42<br>43<br>44<br>45<br>46 | <p><b>PHY ADDRESS [4:0]:</b> The DP83848VYB provides five PHY address pins, the state of which are latched into the PHYCTRL register at system Hardware-Reset.</p> <p>The DP83848VYB supports PHY Address strapping values 0 (&lt;00000&gt;) through 31 (&lt;11111&gt;). <b>A PHY Address of 0 puts the part into the MII isolate Mode.</b> The MII isolate mode must be selected by strapping Phy Address 0; changing to Address 0 by register write will not put the Phy in the MII isolate mode. Please refer to <a href="#">Section 6.4.5</a> for additional information.</p> <p>PHYAD0 pin has weak internal pullup resistor.<br/>PHYAD[4:1] pins have weak internal pulldown resistors.</p>  |          |          |                    |             |   |          |   |                       |           |   |   |                       |   |   |   |                         |   |   |   |                         |       |     |     |                 |   |   |   |                            |   |   |   |                              |   |   |   |   |   |   |   |   |
| AN_EN(LED_ACT/COL)<br>AN_1 (LED_SPEED)<br>AN_0 (LED_LINK)                                | S, O, PU             | 26<br>27<br>28             | <p><b>Auto-Negotiation Enable:</b> When high, this enables Auto-Negotiation with the capability set by AN0 and AN1 pins. When low, this puts the part into Forced Mode with the capability set by AN0 and AN1 pins.</p> <p><b>AN0 / AN1:</b> These input pins control the forced or advertised operating mode of the DP83848VYB according to the following table. The value on these pins is set by connecting the input pins to GND (0) or V<sub>CC</sub> (1) through 2.2 kΩ resistors. <b>These pins should NEVER be connected directly to GND or V<sub>CC</sub>.</b></p> <p>The value set at this input is latched into the DP83848VYB at Hardware-Reset. The float/pulldown status of these pins are latched into the Basic Mode Control Register and the Auto_Negotiation Advertisement Register during Hardware-Reset. The default is 111 since the these pin have internal pullups.</p> <table border="1"> <thead> <tr> <th>AN_EN</th> <th>AN1</th> <th>AN0</th> <th>Forced Mode</th> </tr> </thead> <tbody> <tr> <td>0</td> <td>0</td> <td>0</td> <td>10BASE-T, Half-Duplex</td> </tr> <tr> <td>0</td> <td>0</td> <td>1</td> <td>10BASE-T, Full-Duplex</td> </tr> <tr> <td>0</td> <td>1</td> <td>0</td> <td>100BASE-TX, Half-Duplex</td> </tr> <tr> <td>0</td> <td>1</td> <td>1</td> <td>100BASE-TX, Full-Duplex</td> </tr> <tr> <th>AN_EN</th> <th>AN1</th> <th>AN0</th> <th>Advertised Mode</th> </tr> <tr> <td>1</td> <td>0</td> <td>0</td> <td>10BASE-T, Half/Full-Duplex</td> </tr> <tr> <td>1</td> <td>0</td> <td>1</td> <td>100BASE-TX, Half/Full-Duplex</td> </tr> <tr> <td>1</td> <td>1</td> <td>0</td> <td>10BASE-T, Half-Duplex,<br/>100BASE-TX, Half-Duplex</td> </tr> <tr> <td>1</td> <td>1</td> <td>1</td> <td>10BASE-T, Half/Full-Duplex,<br/>100BASE-TX, Half/Full-Duplex</td> </tr> </tbody> </table> | AN_EN    | AN1      | AN0                | Forced Mode | 0 | 0        | 0 | 10BASE-T, Half-Duplex | 0         | 0 | 1 | 10BASE-T, Full-Duplex | 0 | 1 | 0 | 100BASE-TX, Half-Duplex | 0 | 1 | 1 | 100BASE-TX, Full-Duplex | AN_EN | AN1 | AN0 | Advertised Mode | 1 | 0 | 0 | 10BASE-T, Half/Full-Duplex | 1 | 0 | 1 | 100BASE-TX, Half/Full-Duplex | 1 | 1 | 0 | 10BASE-T, Half-Duplex,<br>100BASE-TX, Half-Duplex | 1 | 1 | 1 | 10BASE-T, Half/Full-Duplex,<br>100BASE-TX, Half/Full-Duplex |
| AN_EN  | AN1                  | AN0                        | Forced Mode  |          |          |                    |             |   |          |   |                       |           |   |   |                       |   |   |   |                         |   |   |   |                         |       |     |     |                 |   |   |   |                            |   |   |   |                              |   |   |   |   |   |   |   |   |
| 0  | 0                    | 0                          | 10BASE-T, Half-Duplex  |          |          |                    |             |   |          |   |                       |           |   |   |                       |   |   |   |                         |   |   |   |                         |       |     |     |                 |   |   |   |                            |   |   |   |                              |   |   |   |   |   |   |   |   |
| 0  | 0                    | 1                          | 10BASE-T, Full-Duplex  |          |          |                    |             |   |          |   |                       |           |   |   |                       |   |   |   |                         |   |   |   |                         |       |     |     |                 |   |   |   |                            |   |   |   |                              |   |   |   |   |   |   |   |   |
| 0  | 1                    | 0                          | 100BASE-TX, Half-Duplex  |          |          |                    |             |   |          |   |                       |           |   |   |                       |   |   |   |                         |   |   |   |                         |       |     |     |                 |   |   |   |                            |   |   |   |                              |   |   |   |   |   |   |   |   |
| 0  | 1                    | 1                          | 100BASE-TX, Full-Duplex  |          |          |                    |             |   |          |   |                       |           |   |   |                       |   |   |   |                         |   |   |   |                         |       |     |     |                 |   |   |   |                            |   |   |   |                              |   |   |   |   |   |   |   |   |
| AN_EN  | AN1                  | AN0                        | Advertised Mode  |          |          |                    |             |   |          |   |                       |           |   |   |                       |   |   |   |                         |   |   |   |                         |       |     |     |                 |   |   |   |                            |   |   |   |                              |   |   |   |   |   |   |   |   |
| 1  | 0                    | 0                          | 10BASE-T, Half/Full-Duplex   |          |          |                    |             |   |          |   |                       |           |   |   |                       |   |   |   |                         |   |   |   |                         |       |     |     |                 |   |   |   |                            |   |   |   |                              |   |   |   |   |   |   |   |   |
| 1  | 0                    | 1                          | 100BASE-TX, Half/Full-Duplex   |          |          |                    |             |   |          |   |                       |           |   |   |                       |   |   |   |                         |   |   |   |                         |       |     |     |                 |   |   |   |                            |   |   |   |                              |   |   |   |   |   |   |   |   |
| 1  | 1                    | 0                          | 10BASE-T, Half-Duplex,<br>100BASE-TX, Half-Duplex  |          |          |                    |             |   |          |   |                       |           |   |   |                       |   |   |   |                         |   |   |   |                         |       |     |     |                 |   |   |   |                            |   |   |   |                              |   |   |   |   |   |   |   |   |
| 1  | 1                    | 1                          | 10BASE-T, Half/Full-Duplex,<br>100BASE-TX, Half/Full-Duplex  |          |          |                    |             |   |          |   |                       |           |   |   |                       |   |   |   |                         |   |   |   |                         |       |     |     |                 |   |   |   |                            |   |   |   |                              |   |   |   |   |   |   |   |   |
| MII_MODE (RX_DV)<br>SNI_MODE (TXD_3)   | S, O, PD             | 39<br>6                    | <p><b>MII MODE SELECT:</b> This strapping option pair determines the operating mode of the MAC Data Interface. Default operation (No pullups) will enable normal MII Mode of operation. Strapping MII_MODE high will cause the device to be in RMII or SNI modes of operation, determined by the status of the SNI_MODE strap. Since the pins include internal pulldowns, the default values are 0.</p> <p>The following table details the configurations:</p> <table border="1"> <thead> <tr> <th>MII_MODE</th> <th>SNI_MODE</th> <th>MAC Interface Mode</th> </tr> </thead> <tbody> <tr> <td>0</td> <td>X</td> <td>MII Mode</td> </tr> <tr> <td>1</td> <td>0</td> <td>RMII Mode</td> </tr> <tr> <td>1</td> <td>1</td> <td>10 Mb SNI Mode</td> </tr> </tbody> </table>  | MII_MODE | SNI_MODE | MAC Interface Mode | 0           | X | MII Mode | 1 | 0                     | RMII Mode | 1 | 1 | 10 Mb SNI Mode        |   |   |   |                         |   |   |   |                         |       |     |     |                 |   |   |   |                            |   |   |   |                              |   |   |   |   |   |   |   |   |
| MII_MODE   | SNI_MODE             | MAC Interface Mode         |  |          |          |                    |             |   |          |   |                       |           |   |   |                       |   |   |   |                         |   |   |   |                         |       |     |     |                 |   |   |   |                            |   |   |   |                              |   |   |   |   |   |   |   |   |
| 0  | X                    | MII Mode                   |  |          |          |                    |             |   |          |   |                       |           |   |   |                       |   |   |   |                         |   |   |   |                         |       |     |     |                 |   |   |   |                            |   |   |   |                              |   |   |   |   |   |   |   |   |
| 1  | 0                    | RMII Mode                  |  |          |          |                    |             |   |          |   |                       |           |   |   |                       |   |   |   |                         |   |   |   |                         |       |     |     |                 |   |   |   |                            |   |   |   |                              |   |   |   |   |   |   |   |   |
| 1  | 1                    | 10 Mb SNI Mode             |  |          |          |                    |             |   |          |   |                       |           |   |   |                       |   |   |   |                         |   |   |   |                         |       |     |     |                 |   |   |   |                            |   |   |   |                              |   |   |   |   |   |   |   |   |
| LED_CFG (CRS)  | S, O, PU             | 40                         | <p><b>LED CONFIGURATION:</b> This strapping option determines the mode of operation of the LED pins. Default is Mode 1. Mode 1 and Mode 2 can be controlled through the strap option. All modes are configurable through register access. See <a href="#">Table 6-2</a> for LED Mode Selection.</p>  |          |          |                    |             |   |          |   |                       |           |   |   |                       |   |   |   |                         |   |   |   |                         |       |     |     |                 |   |   |   |                            |   |   |   |                              |   |   |   |   |   |   |   |   |
| MDIX_EN (RX_ER)  | S, O, PU             | 41                         | <p><b>MDIX ENABLE:</b> Default is to enable MDIX. This strapping option disables Auto-MDIX. An external pulldown will disable Auto-MDIX mode.</p>  |          |          |                    |             |   |          |   |                       |           |   |   |                       |   |   |   |                         |   |   |   |                         |       |     |     |                 |   |   |   |                            |   |   |   |                              |   |   |   |   |   |   |   |   |

#### 4.10 10 Mb/s and 100 Mb/s PMD Interface

| SIGNAL NAME | TYPE | PIN #    | DESCRIPTION   |
|-------------|------|----------|---|
| TD-, TD+    | I/O  | 16<br>17 | <p>Differential common driver transmit output (PMD Output Pair). These differential outputs are automatically configured to either 10BASE-T or 100BASE-TX signaling.</p> <p>In Auto-MDIX mode of operation, this pair can be used as the Receive Input pair. These pins require 3.3-V bias for operation.</p> |

| SIGNAL NAME | TYPE | PIN #    | DESCRIPTION  |
|-------------|------|----------|--|
| RD-, RD+    | I/O  | 13<br>14 | Differential receive input (PMD Input Pair). These differential inputs are automatically configured to accept either 100BASE-TX or 10BASE-T signaling. In Auto-MDIX mode of operation, this pair can be used as the Transmit Output pair. These pins require 3.3-V bias for operation. |

#### 4.11 Special Connections

| SIGNAL NAME      | TYPE | PIN #    | DESCRIPTION  |
|------------------|------|----------|--|
| RBIAS            | I    | 24       | <b>Bias Resistor Connection:</b> A 4.87 kΩ 1% resistor should be connected from RBIAS to GND.  |
| PFBOUT           | O    | 23       | <b>Power Feedback Output:</b> Parallel caps, 10 μF (Tantalum preferred) and 0.1 μF, should be placed close to the PFBOUT. Connect this pin to PFBIN1 (pin 18) and PFBIN2 (pin 37). See <a href="#">Section 7.2.1.3</a> for proper placement pin. |
| PFBIN1<br>PFBIN2 | I    | 18<br>37 | <b>Power Feedback Input:</b> These pins are fed with power from PFBOUT pin. A small capacitor of 0.1 μF should be connected close to each pin. <sup>(1)</sup>  |
| RESERVED         | I/O  | 20, 21   | <b>RESERVED:</b> These pins must be pulled-up through 2.2 kΩ resistors to AVDD33 supply.   |

(1) Note: Do not supply power to these pins other than from PFBOUT.

#### 4.12 Power Supply Pins

| SIGNAL NAME | PIN #  | DESCRIPTION         |
|-------------|--------|---------------------|
| IOVDD33     | 32, 38 | I/O 3.3-V Supply    |
| IOGND       | 35, 47 | I/O Ground          |
| DGND        | 36     | Digital Ground      |
| AVDD33      | 22     | Analog 3.3-V Supply |
| AGND        | 15, 19 | Analog Ground       |
| GNDPAD      | 49     | Ground PAD          |

## 5 Specifications

### 5.1 Absolute Maximum Ratings <sup>(1)(2)</sup>

|  | MIN  | MAX            | UNIT |
|--|------|----------------|------|
| Supply Voltage ( $V_{CC}$ )                | -0.5 | 4.2            | V    |
| DC Input Voltage ( $V_{IN}$ )              | -0.5 | $V_{CC} + 0.5$ | V    |
| DC Output Voltage ( $V_{OUT}$ )            | -0.5 | $V_{CC} + 0.5$ | V    |
| Maximum Die Temperature                    |      | 121.5          | °C   |
| Lead Temperature (TL) (Soldering, 10 sec.) |      | 260            | °C   |
| Storage Temperature, $T_{stg}$             | -65  | 150            | °C   |

- (1) Stresses beyond those listed under *Absolute Maximum Ratings* may cause permanent damage to the device. These are stress ratings only, which do not imply functional operation of the device at these or any other conditions beyond those indicated under *Recommended Operating Conditions*. Exposure to absolute-maximum-rated conditions for extended periods may affect device reliability.
- (2) If Military/Aerospace specified devices are required, please contact the TI Sales Office/ Distributors for availability and specifications.

### 5.2 ESD Ratings

|                                     |  | VALUE | UNIT |
|-------------------------------------|--|-------|------|
| $V_{(ESD)}$ Electrostatic discharge | Human body model (HBM), per ANSI/ESDA/JEDEC JS-001, all pins <sup>(1)</sup>              | ±4000 | V    |
|                                     | Charged device model (CDM), per JEDEC specification JESD22-C101, all pins <sup>(2)</sup> | ±1000 |      |

- (1) JEDEC document JEP155 states that 500-V HBM allows safe manufacturing with a standard ESD control process.
- (2) JEDEC document JEP157 states that 250-V CDM allows safe manufacturing with a standard ESD control process.

### 5.3 Recommended Operating Conditions

|                             | MIN         | MAX | UNIT |
|-----------------------------|-------------|-----|------|
| Supply voltage ( $V_{CC}$ ) | 3.3 V ± 0.3 |     | V    |
| Commercial                  | 0           | 70  | °C   |
| Industrial                  | -40         | 85  |      |
| Extended                    | -40         | 105 |      |
| Extreme                     | -40         | 125 |      |
| Power Dissipation ( $P_D$ ) |             | 267 | mW   |

### 5.4 Thermal Information

| THERMAL METRIC <sup>(1)</sup> |  | DP83848C/I | DP83848VYB/YB | UNIT |
|-------------------------------|--|------------|---------------|------|
|                               |  | PT [HLQFP] | PTB [LQFP]    |      |
|                               |  | 48 PINS    | 48 PINS       |      |
| $R_{\theta JA}$               | Junction-to-ambient thermal resistance       | 73.9       | 40.1          | °C/W |
| $R_{\theta JC(top)}$          | Junction-to-case (top) thermal resistance    | 30.9       | 25.5          |      |
| $R_{\theta JB}$               | Junction-to-board thermal resistance         | 37.2       | 21            |      |
| $\psi_{JT}$                   | Junction-to-top characterization parameter   | 2.8        | 2.7           |      |
| $\psi_{JB}$                   | Junction-to-board characterization parameter | 37         | 20.9          |      |
| $R_{\theta JC(bot)}$          | Junction-to-case (bottom) thermal resistance | N/A        | 3.6           |      |

- (1) For more information about traditional and new thermal metrics, see the *IC Package Thermal Metrics* application report, [SPRA953](#).

## 5.5 DC Specifications

| PARAMETER             |  | TEST CONDITIONS                    | PIN TYPES        | MIN                   | TYP | MAX  | UNIT          |
|-----------------------|--|------------------------------------|------------------|-----------------------|-----|------|---------------|
| V <sub>IH</sub>       | Input High Voltage                         | Nominal V <sub>CC</sub>            | I <sub>I</sub>   | 2.0                   |     |      | V             |
|                       |  |                                    | I/O              |                       |     |      |               |
| V <sub>IL</sub>       | Input Low Voltage                          |                                    | I <sub>I</sub>   |                       |     | 0.8  | V             |
|                       |  |                                    | I/O              |                       |     |      |               |
| I <sub>IH</sub>       | Input High Current                         | V <sub>IN</sub> = V <sub>CC</sub>  | I <sub>I</sub>   |                       |     | 10   | μA            |
|                       |  |                                    | I/O              |                       |     |      |               |
| I <sub>IL</sub>       | Input Low Current                          | V <sub>IN</sub> = GND              | I <sub>I</sub>   |                       |     | 10   | μA            |
|                       |  |                                    | I/O              |                       |     |      |               |
| V <sub>OL</sub>       | Output Low Voltage                         | I <sub>OL</sub> = 4 mA             | O <sub>I</sub>   |                       |     | 0.4  | V             |
|                       |  |                                    | I/O              |                       |     |      |               |
| V <sub>OH</sub>       | Output High Voltage                        | I <sub>OH</sub> = -4 mA            | O <sub>I</sub>   | V <sub>CC</sub> - 0.5 |     |      | V             |
|                       |  |                                    | I/O              |                       |     |      |               |
| I <sub>OZ</sub>       | TRI-STATE Leakage                          | V <sub>OUT</sub> = V <sub>CC</sub> | I/O <sub>I</sub> |                       |     | ±10  | μA            |
|                       |  | V <sub>OUT</sub> = GND             | O                |                       |     |      |               |
| V <sub>TPTD_100</sub> | 100M Transmit Voltage                      |                                    | PMD Output Pair  | 0.95                  | 1   | 1.05 | V             |
| V <sub>TPTDsym</sub>  | 100M Transmit Voltage Symmetry             |                                    | PMD Output Pair  |                       |     | ±2%  |               |
| V <sub>TPTD_10</sub>  | 10M Transmit Voltage                       |                                    | PMD Output Pair  | 2.2                   | 2.5 | 2.8  | V             |
| C <sub>IN1</sub>      | CMOS Input Capacitance                     |                                    | I                |                       | 5   |      | pF            |
|                       |  |                                    |                  |                       |     |      |               |
| C <sub>OUT1</sub>     | CMOS Output Capacitance                    |                                    | O                |                       | 5   |      | pF            |
|                       |  |                                    |                  |                       |     |      |               |
| SD <sub>THon</sub>    | 100BASE-TX Signal detect turnon threshold  |                                    | PMD Input Pair   |                       |     | 1000 | mV diff pk-pk |
|                       |  |                                    |                  |                       |     |      |               |
| SD <sub>THoff</sub>   | 100BASE-TX Signal detect turnoff threshold |                                    | PMD Input Pair   | 200                   |     |      | mV diff pk-pk |
|                       |  |                                    |                  |                       |     |      |               |
| V <sub>TH1</sub>      | 10BASE-T Receive Threshold                 |                                    | PMD Input Pair   |                       |     | 585  | mV            |
| I <sub>dd100</sub>    | 100BASE-TX (Full Duplex)                   |                                    | Supply           |                       | 81  |      | mA            |
|                       |  |                                    |                  |                       |     |      |               |
| I <sub>dd10</sub>     | 100BASE-TX (Full Duplex)                   |                                    | Supply           |                       | 92  |      | mA            |
|                       |  |                                    |                  |                       |     |      |               |
| I <sub>dd</sub>       | Power Down Mode                            | CLK2MAC disabled                   | Supply           |                       | 14  |      | mA            |

## 5.6 AC Timing Requirements

| PARAMETER  | DESCRIPTION   | NOTES  | MIN | TYP | MAX | UNIT |
|--|---|--|-----|-----|-----|------|
| <b>POWER-UP TIMING</b>                               |   |  |     |     |     |      |
| T2.1.1   | Post Power-Up Stabilization time prior to MDC preamble for register accesses <sup>(1)</sup>             | MDIO is pulled high for 32-bit serial management initialization<br>X1 Clock must be stable for a min. of 167 ms at power up.                     | 167 |     |     | ms   |
| T2.1.2   | Hardware Configuration Latch-in Time from power up <sup>(1)</sup>                                       | Hardware Configuration Pins are described in the <a href="#">Section 4</a> section.<br>X1 Clock must be stable for a min. of 167 ms at power up. | 167 |     |     | ms   |
| T2.1.3   | Hardware Configuration pins transition to output drivers  |  |     | 50  |     | ns   |
| <b>RESET TIMING</b>                                  |   |  |     |     |     |      |
| T2.2.1   | Post RESET Stabilization time prior to MDC preamble for register accesses <sup>(2)</sup>                | MDIO is pulled high for 32-bit serial management initialization  |     | 3   |     | μs   |
| T2.2.2   | Hardware Configuration Latch-in Time from the Deassertion of RESET (either soft or hard) <sup>(2)</sup> | Hardware Configuration Pins are described in the <a href="#">Section 4</a> section   |     | 3   |     | μs   |
| T2.2.3   | Hardware Configuration pins transition to output drivers  |  |     | 50  |     | ns   |
| T2.2.4   | RESET pulse width   | X1 Clock must be stable for at min. of 1us during RESET pulse low time.  | 1   |     |     | μs   |
| <b>MII SERIAL MANAGEMENT TIMING</b>                  |   |  |     |     |     |      |
| T2.3.1   | MDC to MDIO (Output) Delay Time   |  | 0   |     | 30  | ns   |
| T2.3.2   | MDIO (Input) to MDC Setup Time  |  | 10  |     |     | ns   |
| T2.3.3   | MDIO (Input) to MDC Hold Time   |  | 10  |     |     | ns   |
| T2.3.4   | MDC Frequency   |  |     | 2.5 | 25  | MHz  |
| <b>100 Mb/s MII TRANSMIT TIMING</b>                  |   |  |     |     |     |      |
| T2.4.1   | TX_CLK High/Low Time  | 100 Mb/s Normal mode   | 16  | 20  | 24  | ns   |
| T2.4.2   | TXD[3:0], TX_EN Data Setup to TX_CLK  | 100 Mb/s Normal mode   | 10  |     |     | ns   |
| T2.4.3   | TXD[3:0], TX_EN Data Hold from TX_CLK   | 100 Mb/s Normal mode   | 0   |     |     | ns   |
| <b>100 Mb/s MII RECEIVE TIMING</b>                   |   |  |     |     |     |      |
| T2.5.1   | RX_CLK High/Low Time <sup>(3)</sup>   | 100 Mb/s Normal mode   | 16  | 20  | 24  | ns   |
| T2.5.2   | RX_CLK to RXD[3:0], RX_DV, RX_ER Delay  | 100 Mb/s Normal mode   | 10  |     | 30  | ns   |
| <b>100BASE-TX MII TRANSMIT PACKET LATENCY TIMING</b> |   |  |     |     |     |      |
| T2.6.1   | TX_CLK to PMD Output Pair Latency <sup>(4)</sup>  | 100BASE-TX mode  |     | 6   |     | bits |
| <b>100BASE-TX TRANSMIT PACKET DEASSERTION TIMING</b> |   |  |     |     |     |      |
| T2.7.1   | TX_CLK to PMD Output Pair Deassertion <sup>(5)</sup>  | 100BASE-TX mode  |     | 5   |     | bits |

- (1) In RMII Mode, the minimum Post Power-up Stabilization and Hardware Configuration Latch-in times are 84ms.
- (2) It is important to choose pullup and/or pulldown resistors for each of the hardware configuration pins that provide fast RC time constants in order to latch-in the proper value prior to the pin transitioning to an output driver.
- (3) RX\_CLK may be held low or high for a longer period of time during transition between reference and recovered clocks. Minimum high and low times will not be violated.
- (4) For Normal mode, latency is determined by measuring the time from the first rising edge of TX\_CLK occurring after the assertion of TX\_EN to the first bit of the "J" code group as output from the PMD Output Pair. 1 bit time = 10 ns in 100 Mb/s mode.
- (5) Deassertion is determined by measuring the time from the first rising edge of TX\_CLK occurring after the deassertion of TX\_EN to the first bit of the "T" code group as output from the PMD Output Pair. 1 bit time = 10 ns in 100 Mb/s mode.

### AC Timing Requirements (continued)

| PARAMETER   | DESCRIPTION   | NOTES                                | MIN | TYP | MAX | UNIT |
|---|---|--------------------------------------|-----|-----|-----|------|
| <b>100BASE-TX TRANSMIT TIMING (<math>t_{R/F}</math> and Jitter)</b> |   |                                      |     |     |     |      |
| T2.8.1  | 100 Mb/s PMD Output Pair $t_R$ and $t_F$ <sup>(6)</sup> |                                      | 3   | 4   | 5   | ns   |
|   | 100 Mb/s $t_R$ and $t_F$ Mismatch <sup>(7)(6)</sup>     |                                      |     |     | 500 | ps   |
| T2.8.2  | 100 Mb/s PMD Output Pair Transmit Jitter                |                                      |     |     | 1.4 | ns   |
| <b>100BASE-TX RECEIVE PACKET LATENCY TIMING<sup>(8)</sup></b>       |   |                                      |     |     |     |      |
| T2.9.1  | Carrier Sense ON Delay <sup>(9)</sup>                   | 100 Mb/s Normal mode <sup>(10)</sup> |     | 20  |     | bits |
| T2.9.2  | Receive Data Latency                                    | 100 Mb/s Normal mode <sup>(10)</sup> |     | 24  |     | bits |
| <b>100BASE-TX RECEIVE PACKET DEASSERTION TIMING</b>                 |   |                                      |     |     |     |      |
| T2.10.1   | Carrier Sense OFF Delay <sup>(11)</sup>                 | 100 Mb/s Normal mode <sup>(10)</sup> |     | 24  |     | bits |
| <b>10 Mb/s MII TRANSMIT TIMING<sup>(12)</sup></b>                   |   |                                      |     |     |     |      |
| T2.11.1   | TX_CLK High/Low Time                                    | 10 Mb/s MII mode                     | 190 | 200 | 210 | ns   |
| T2.11.2   | TXD[3:0], TX_EN Data Setup to TX_CLK fall               | 10 Mb/s MII mode                     | 25  |     |     | ns   |
| T2.11.3   | TXD[3:0], TX_EN Data Hold from TX_CLK rise              | 10 Mb/s MII mode                     | 0   |     |     | ns   |
| <b>10 Mb/s MII RECEIVE TIMING</b>                                   |   |                                      |     |     |     |      |
| T2.12.1   | RX_CLK High/Low Time <sup>(13)</sup>                    |                                      | 160 | 200 | 240 | ns   |
| T2.12.2   | RX_CLK TO RXD[3:0], RX_DV Delay                         | 10 Mb/s MII mode                     | 100 |     |     | ns   |
| T2.12.3   | RX_CLK rising edge delay from RXD[3:0], RX_DV Valid     | 10 Mb/s MII mode                     | 100 |     |     | ns   |
| <b>10 Mb/s SERIAL MODE (SNI) TRANSMIT TIMING</b>                    |   |                                      |     |     |     |      |
| T2.13.1   | TX_CLK High Time  | 10 Mb/s Serial mode (SNI)            | 20  | 25  | 30  | ns   |
| T2.13.2   | TX_CLK Low Time   | 10 Mb/s Serial mode (SNI)            | 70  | 75  | 80  | ns   |
| T2.13.3   | TXD_0, TX_EN Data Setup to TX_CLK rise                  | 10 Mb/s Serial mode (SNI)            | 25  |     |     | ns   |
| T2.13.4   | TXD_0, TX_EN Data Hold from TX_CLK rise                 | 10 Mb/s Serial mode (SNI)            | 0   |     |     | ns   |
| <b>10 Mb/s SERIAL MODE (SNI) RECEIVE TIMING</b>                     |   |                                      |     |     |     |      |
| T2.14.1   | RX_CLK High/Low Time <sup>(14)</sup>                    |                                      | 35  | 50  | 65  | ns   |
| T2.14.2   | RX_CLK fall to RXD_0, RX_DV Delay                       | 10 Mb/s Serial mode (SNI)            | -10 |     | 10  | ns   |
| <b>10BASE-T TRANSMIT TIMING (START OF PACKET)</b>                   |   |                                      |     |     |     |      |
| T2.15.1   | Transmit Output Delay from the Falling Edge of TX_CLK   | 10 Mb/s MII mode <sup>(15)</sup>     | 3.5 |     |     | bits |
|   | Transmit Output Delay from the Rising Edge of TX_CLK    |                                      | 3.5 |     |     | bits |

- (6) Rise and fall times taken at 10% and 90% of the +1 or -1 amplitude
- (7) Normal Mismatch is the difference between the maximum and minimum of all rise and fall times
- (8) PMD Input Pair voltage amplitude is greater than the Signal Detect Turnon Threshold Value.
- (9) Carrier Sense On Delay is determined by measuring the time from the first bit of the "J" code group to the assertion of Carrier Sense.
- (10) 1 bit time = 10 ns in 100 Mb/s mode.
- (11) Carrier Sense Off Delay is determined by measuring the time from the first bit of the "T" code group to the deassertion of Carrier Sense.
- (12) An attached Mac should drive the transmit signals using the positive edge of TX\_CLK. As shown above, the MII signals are sampled on the falling edge of TX\_CLK.
- (13) RX\_CLK may be held low for a longer period of time during transition between reference and recovered clocks. Minimum high and low times will not be violated.
- (14) RX\_CLK may be held high for a longer period of time during transition between reference and recovered clocks. Minimum high and low times will not be violated.
- (15) 1 bit time = 100 ns in 10 Mb/s.

## AC Timing Requirements (continued)

| PARAMETER   | DESCRIPTION  | NOTES   | MIN | TYP  | MAX  | UNIT |
|---|--|---|-----|------|------|------|
| <b>10BASE-T TRANSMIT TIMING (END OF PACKET)</b>                     |  |   |     |      |      |      |
| T2.16.1   | End of Packet High Time                            |   | 250 | 300  |      | ns   |
|   | (with '0' ending bit)                              |   |     |      |      |      |
| T2.16.2   | End of Packet High Time                            |   | 250 | 300  |      | ns   |
|   | (with '1' ending bit)                              |   |     |      |      |      |
| <b>10BASE-T RECEIVE TIMING (START OF PACKET)<sup>(16)</sup></b>     |  |   |     |      |      |      |
| T2.17.1   | Carrier Sense Turnon Delay (PMD Input Pair to CRS) |   |     | 630  | 1000 | ns   |
| T2.17.2   | RX_DV Latency <sup>(17)</sup>                      |   |     | 10   |      | bits |
| T2.17.3   | Receive Data Latency                               | Measurement shown from SFD                      |     | 8    |      | bits |
| <b>10BASE-T RECEIVE TIMING (END OF PACKET)</b>                      |  |   |     |      |      |      |
| T2.18.1   | Carrier Sense Turn Off Delay                       |   |     |      | 1    | μs   |
| <b>10 Mb/s HEARTBEAT TIMING</b>                                     |  |   |     |      |      |      |
| T2.19.1   | CD Heartbeat Delay                                 | 10 Mb/s half-duplex mode                        |     | 1200 |      | ns   |
| T2.19.2   | CD Heartbeat Duration                              | 10 Mb/s half-duplex mode                        |     | 1000 |      | ns   |
| <b>10 Mb/s JABBER TIMING</b>  |  |   |     |      |      |      |
| T2.20.1   | Jabber Activation Time                             |   |     | 85   |      | ms   |
| T2.20.2   | Jabber Deactivation Time                           |   |     | 500  |      | ms   |
| <b>10BASE-T NORMAL LINK PULSE TIMING<sup>(18)</sup></b>             |  |   |     |      |      |      |
| T2.21.1   | Pulse Width  |   |     | 100  |      | ns   |
| T2.21.2   | Pulse Period                                       |   |     | 16   |      | ms   |
| <b>AUTO-NEGOTIATION FAST LINK PULSE (FLP) TIMING<sup>(18)</sup></b> |  |   |     |      |      |      |
| T2.22.1   | Clock, Data Pulse Width                            |   |     | 100  |      | ns   |
| T2.22.2   | Clock Pulse to Clock Pulse                         |   |     | 125  |      | μs   |
|   | Period   |   |     |      |      |      |
| T2.22.3   | Clock Pulse to Data Pulse                          | Data = 1  |     | 62   |      | μs   |
|   | Period   |   |     |      |      |      |
| T2.22.4   | Burst Width  |   |     | 2    |      | ms   |
| T2.22.5   | FLP Burst to FLP Burst Period                      |   |     | 16   |      | ms   |
| <b>100BASE-TX SIGNAL DETECT TIMING<sup>(19)</sup></b>               |  |   |     |      |      |      |
| T2.23.1   | SD Internal Turnon Time                            |   |     |      | 1    | ms   |
| T2.23.2   | SD Internal Turnoff Time                           |   |     |      | 350  | μs   |
| <b>100 Mb/s INTERNAL LOOPBACK TIMING</b>                            |  |   |     |      |      |      |
| T2.24.1   | TX_EN to RX_DV Loopback <sup>(20)</sup>            | 100 Mb/s internal loopback mode <sup>(21)</sup> |     |      | 240  | ns   |
| <b>10 Mb/s INTERNAL LOOPBACK TIMING</b>                             |  |   |     |      |      |      |
| T2.25.1   | TX_EN to RX_DV Loopback <sup>(20)</sup>            | 10 Mb/s internal loopback mode                  |     |      | 2    | μs   |
| <b>RMII TRANSMIT TIMING</b>   |  |   |     |      |      |      |
| T2.26.1   | X1 Clock Period                                    | 50 MHz Reference Clock                          |     | 20   |      | ns   |
| T2.26.2   | TXD[1:0], TX_EN, Data Setup to X1 rising           |   | 4   |      |      | ns   |
| T2.26.3   | TXD[1:0], TX_EN, Data Hold from X1 rising          |   | 2   |      |      | ns   |

(16) 1 bit time = 100 ns in 10 Mb/s mode.

(17) 10BASE-T RX\_DV Latency is measured from first bit of preamble on the wire to the assertion of RX\_DV

(18) These specifications represent transmit timings.

(19) The signal amplitude on PMD Input Pair must be TP-PMD compliant.

(20) Measurement is made from the first rising edge of TX\_CLK after assertion of TX\_EN.

(21) Due to the nature of the descrambler function, all 100BASE-TX Loopback modes will cause an initial "dead-time" of up to 550 μs during which time no data will be present at the receive MII outputs. The 100BASE-TX timing specified is based on device delays after the initial 550μs "dead-time".

### AC Timing Requirements (continued)

| PARAMETER                           | DESCRIPTION  | NOTES  | MIN | TYP  | MAX | UNIT |
|-------------------------------------|--|--|-----|------|-----|------|
| T2.26.4                             | X1 Clock to PMD Output Pair Latency  | From X1 Rising edge to first bit of symbol                               |     | 17   |     | bits |
| <b>RMII RECEIVE TIMING</b>          |  |  |     |      |     |      |
| T2.27.1                             | X1 Clock Period  | 50 MHz Reference Clock   |     | 20   |     | ns   |
| T2.27.2                             | RXD[1:0], CRS_DV, RX_DV and RX_ER output delay from X1 rising <sup>(22)(23)(24)</sup>            |  | 2   |      | 14  | ns   |
| T2.27.3                             | CRS ON delay (100Mb)   | From JK symbol on PMD Receive Pair to initial assertion of CRS_DV        |     | 18.5 |     | bits |
| T2.27.4                             | CRS OFF delay (100Mb)  | From TR symbol on PMD Receive Pair to initial deassertion of CRS_DV      |     | 27   |     | bits |
| T2.27.5                             | RXD[1:0] and RX_ER latency (100Mb)   | From symbol on Receive Pair. Elasticity buffer set to default value (01) |     | 38   |     | bits |
| <b>ISOLATION TIMING</b>             |  |  |     |      |     |      |
| T2.28.1                             | From software clear of bit 10 in the BMCR register to the transition from Isolate to Normal mode |  |     |      | 100 | μs   |
| T2.28.2                             | From Deassertion of S/W or H/W Reset to transition from Isolate to Normal mode                   |  |     |      | 500 | μs   |
| <b>25 MHz_OUT TIMING</b>            |  |  |     |      |     |      |
| T2.29.1                             | 25 MHz_OUT High/Low Time <sup>(25)</sup>   | MII mode   |     | 20   |     | ns   |
|                                     |  | RMII mode  |     | 10   |     | ns   |
| T2.29.2                             | 25 MHz_OUT propagation delay <sup>(25)</sup>   | Relative to X1   |     |      | 8   | ns   |
| <b>100 Mb/s X1 TO TX_CLK TIMING</b> |  |  |     |      |     |      |
| T2.30.1                             | X1 to TX_CLK delay <sup>(26)</sup>   | 100 Mb/s Normal mode   | 0   |      | 5   | ns   |

(22) Per the RMII Specification, output delays assume a 25pF load.

(23) CRS\_DV is asserted asynchronously in order to minimize latency of control signals through the Phy. CRS\_DV may toggle synchronously at the end of the packet to indicate CRS deassertion.

(24) RX\_DV is synchronous to X1. While not part of the RMII specification, this signal is provided to simplify recovery of receive data.

(25) 25 MHz\_OUT characteristics are dependent upon the X1 input characteristics.

(26) X1 to TX\_CLK timing is provided to support devices that use X1 instead of TX\_CLK as the reference for transmit MII data.



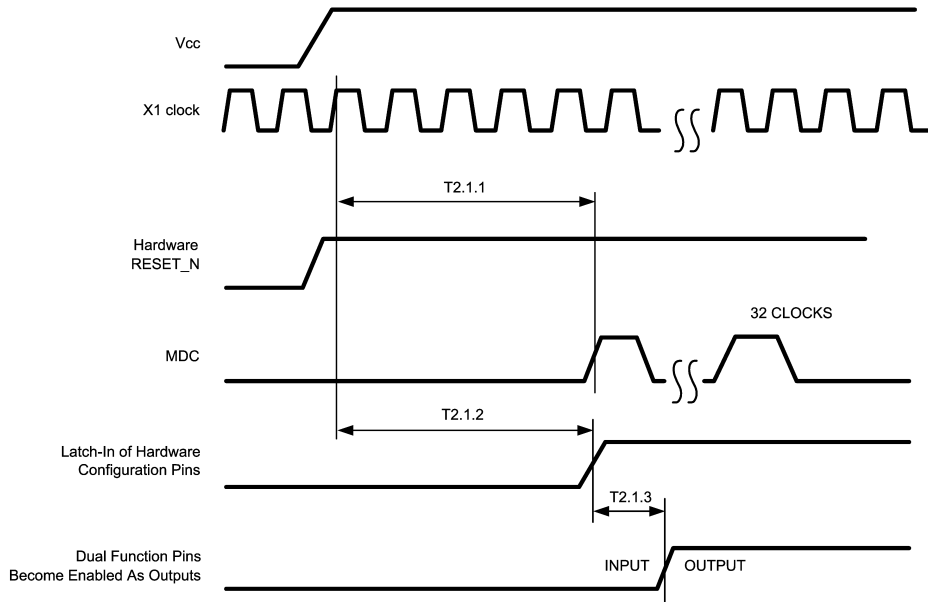


Figure 5-1. Power-Up Timing

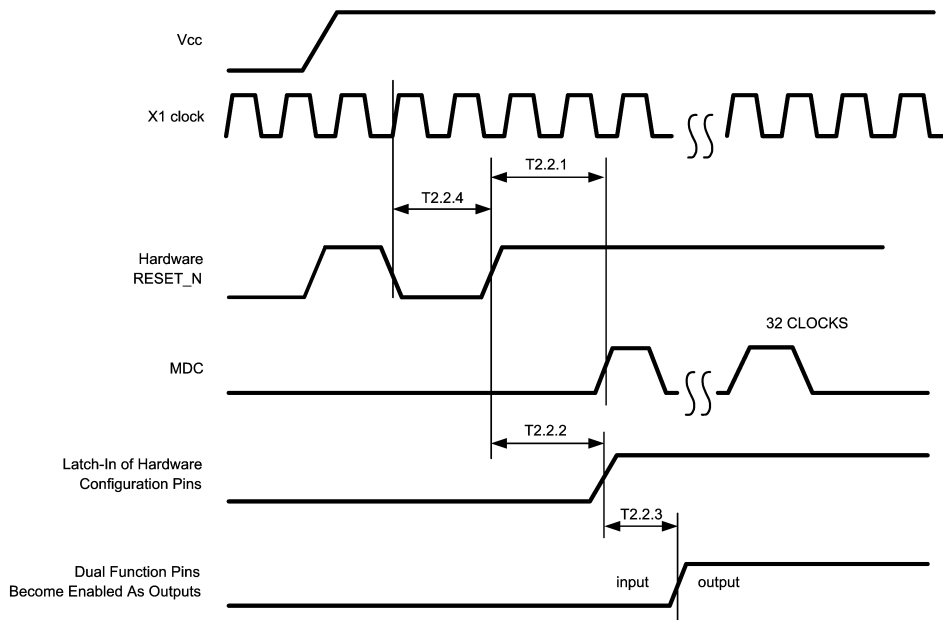
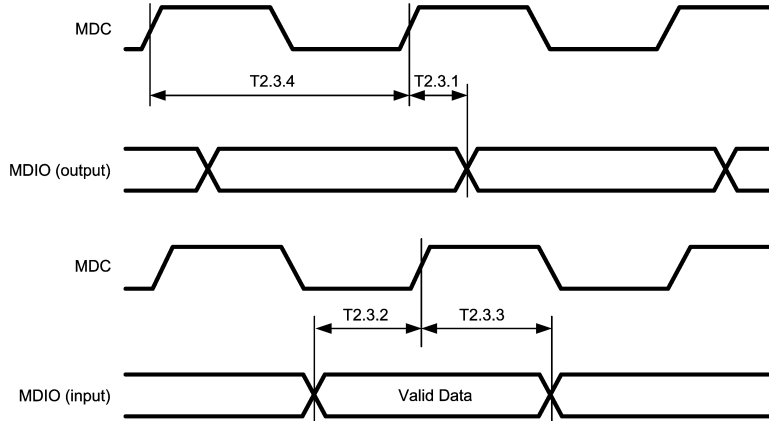
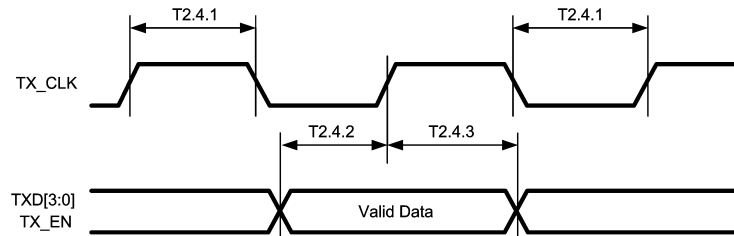


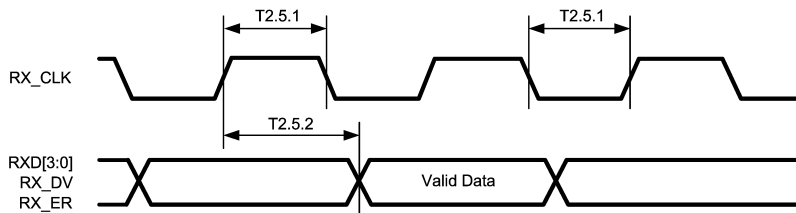
Figure 5-2. Reset Timing



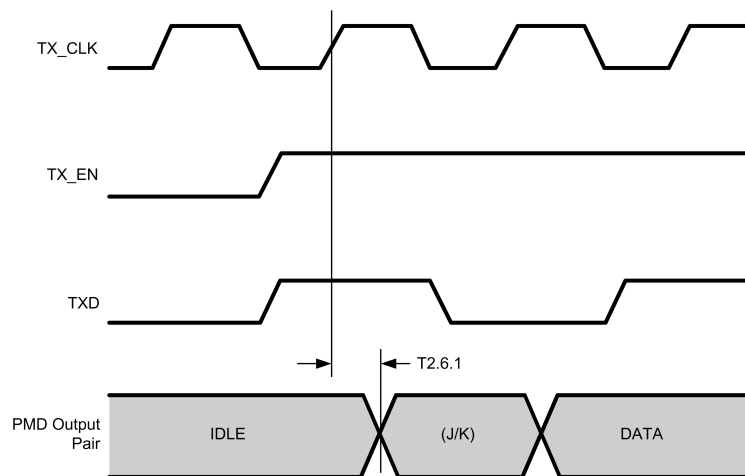
**Figure 5-3. MII Serial Management Timing**



**Figure 5-4. 100 Mb/s MII Transmit Timing**



**Figure 5-5. 100 Mb/s MII Receive Timing**



**Figure 5-6. 100BASE-TX MII Transmit Packet Latency Timing**

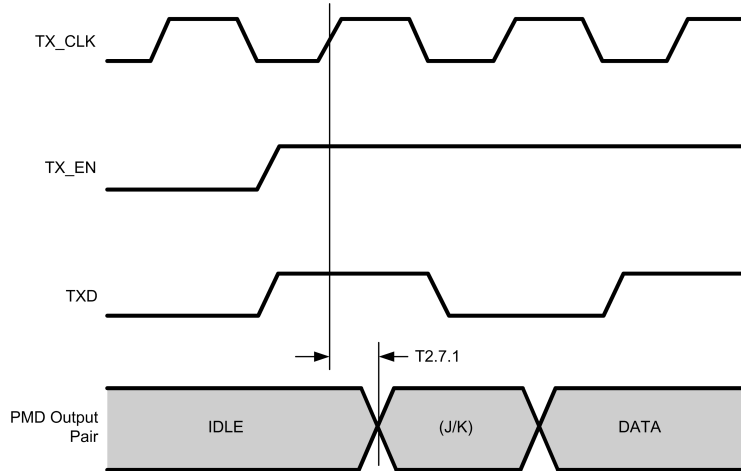


Figure 5-7. 100BASE-TX Transmit Packet Deassertion Timing

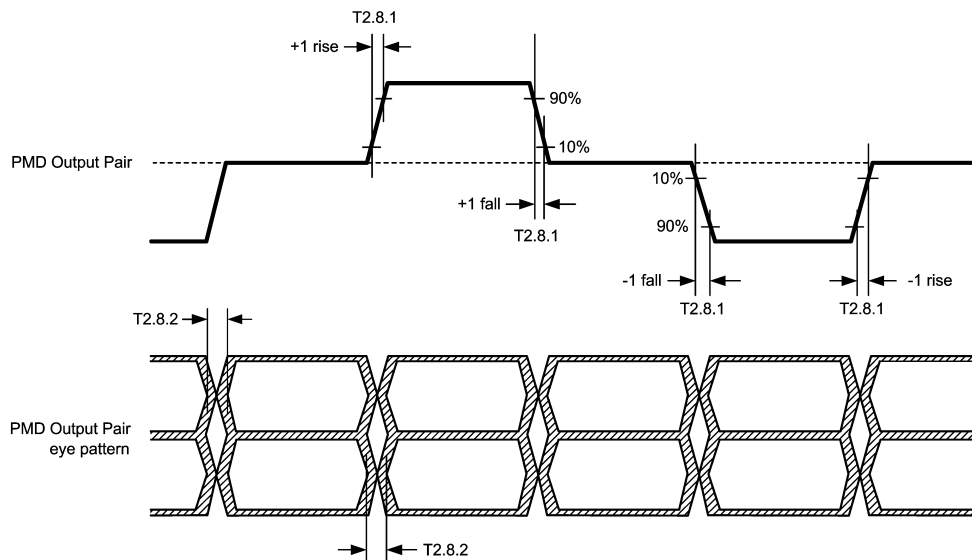


Figure 5-8. 100BASE-TX Transmit Timing ( $t_{R/F}$  and Jitter)

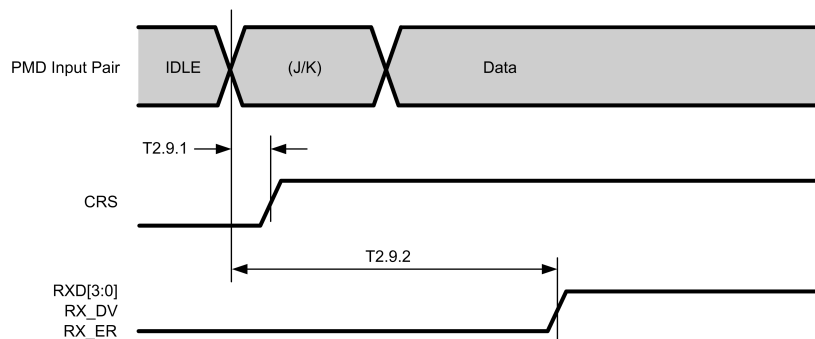
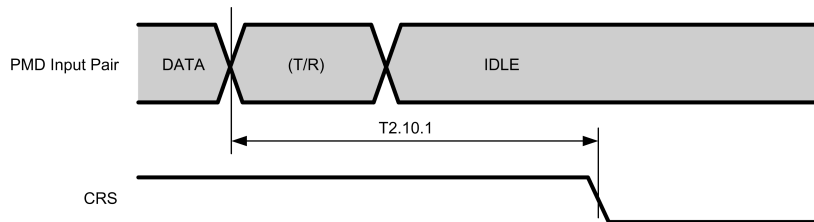
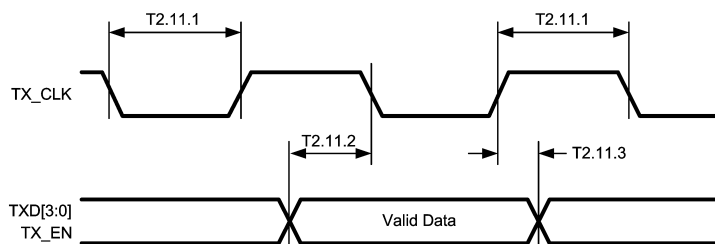


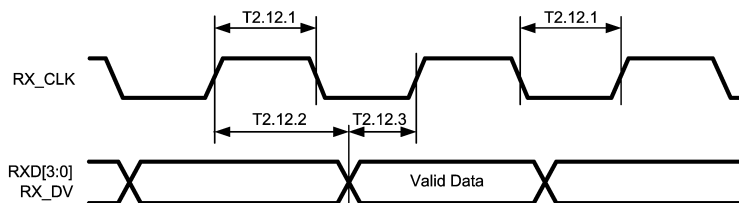
Figure 5-9. 100BASE-TX Receive Packet Latency Timing



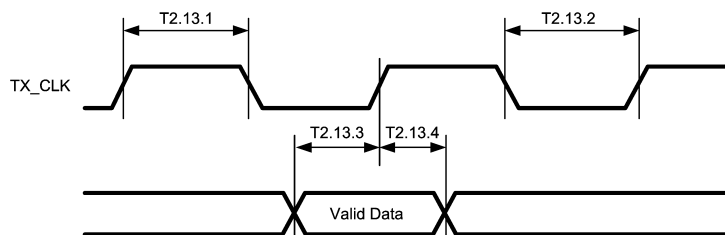
**Figure 5-10. 100BASE-TX Receive Packet Deassertion Timing**



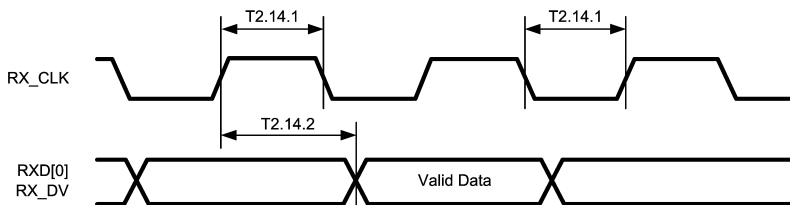
**Figure 5-11. 10 Mb/s MII Transmit Timing**



**Figure 5-12. 10 Mb/s MII Receive Timing**



**Figure 5-13. 10 Mb/s Serial Mode (SNI) Transmit Timing**



**Figure 5-14. 10 Mb/s Serial Mode (SNI) Receive Timing**

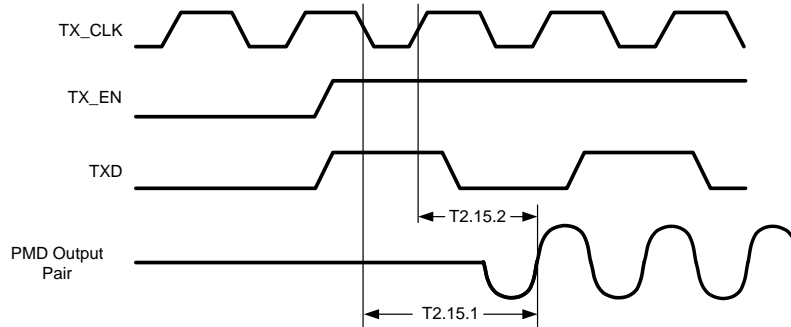


Figure 5-15. 10BASE-T Transmit Timing (Start of Packet)

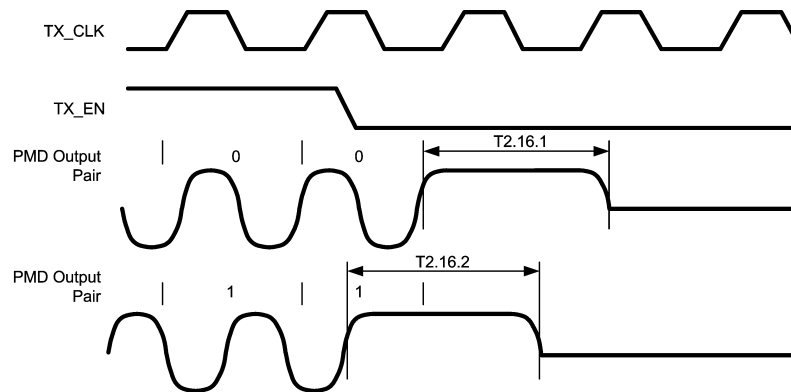


Figure 5-16. 10BASE-T Transmit Timing (End of Packet)

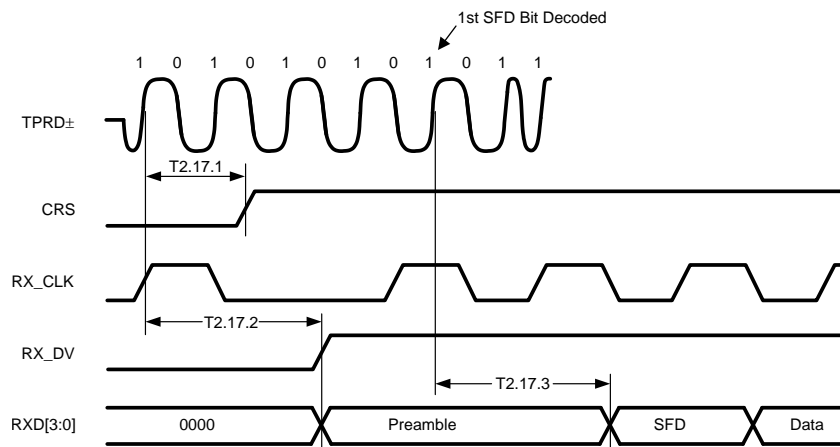


Figure 5-17. 10BASE-T Receive Timing (Start of Packet)

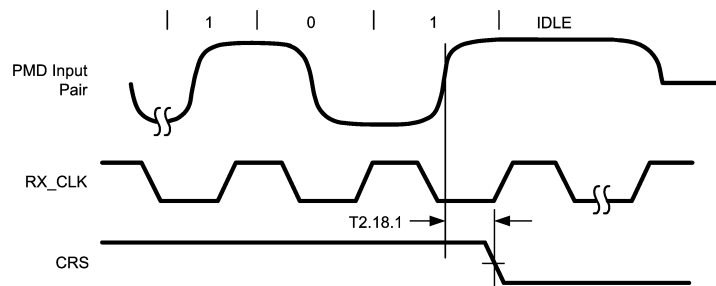


Figure 5-18. 10BASE-T Receive Timing (End of Packet)

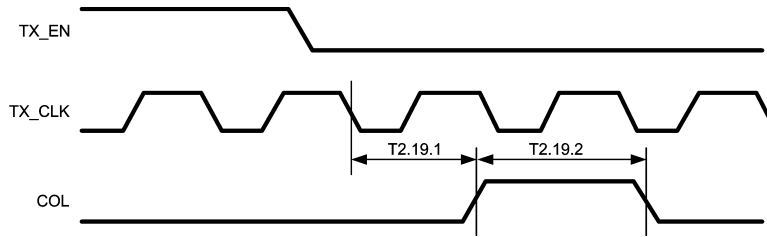


Figure 5-19. 10 Mb/s Heartbeat Timing

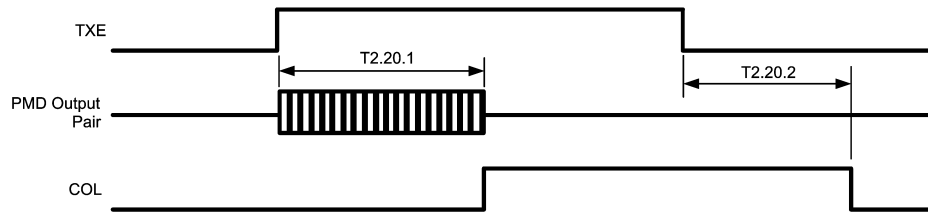


Figure 5-20. 10 Mb/s Jabber Timing

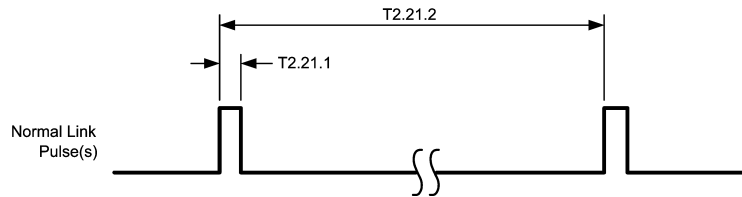


Figure 5-21. 10BASE-T Normal Link Pulse Timing

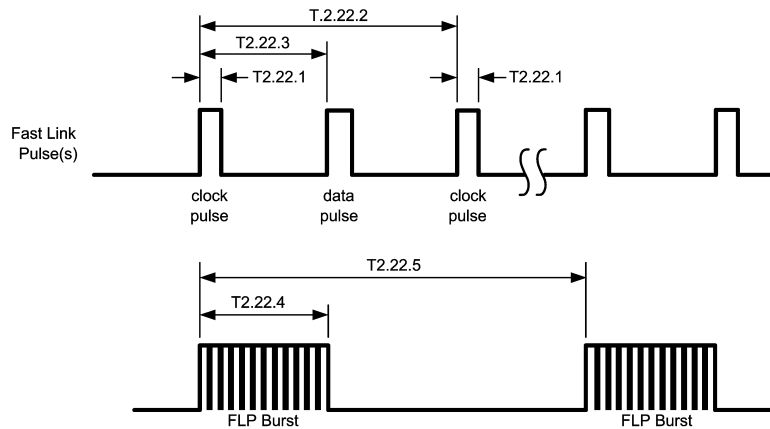


Figure 5-22. Auto-Negotiation Fast Link Pulse (FLP) Timing

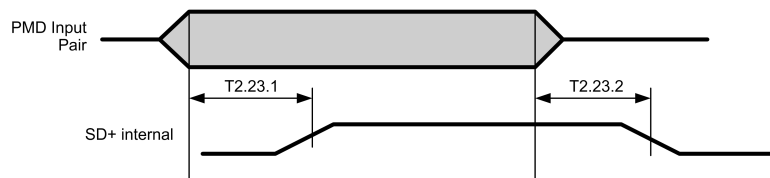


Figure 5-23. 100BASE-TX Signal Detect Timing

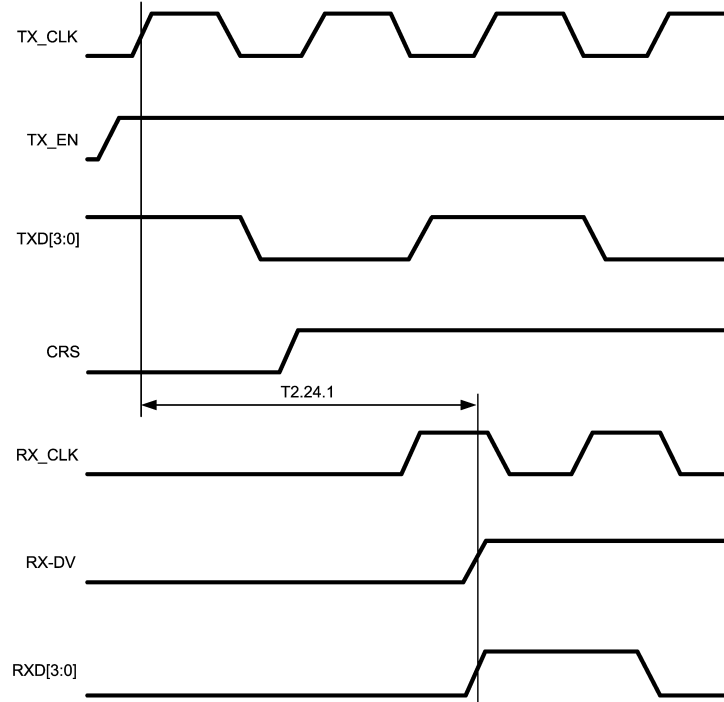


Figure 5-24. 100 Mb/s Internal Loopback Timing

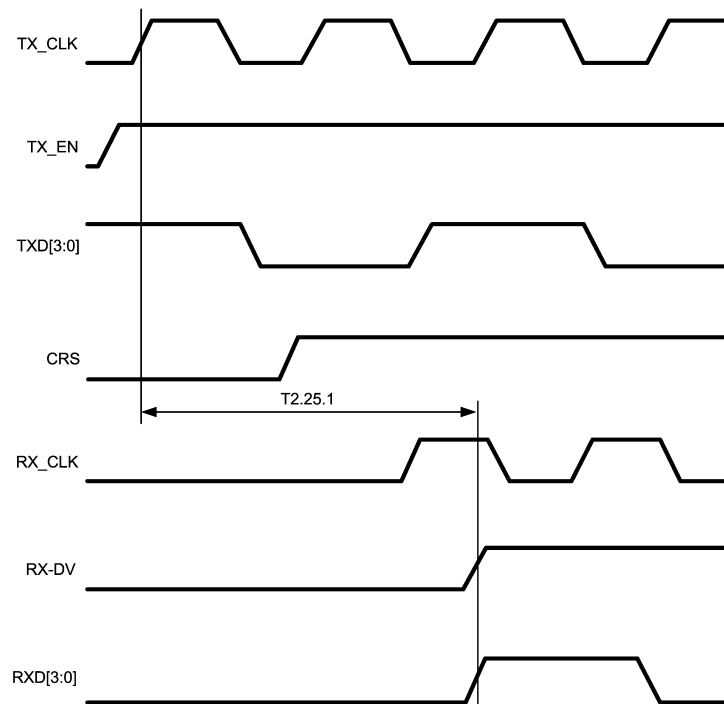


Figure 5-25. 10 Mb/s Internal Loopback Timing

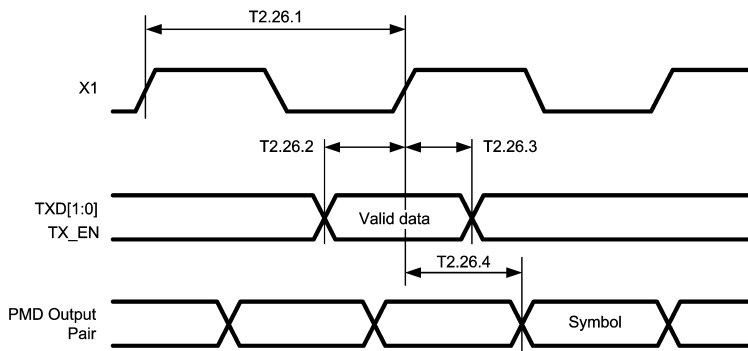


Figure 5-26. RMIITransmit Timing

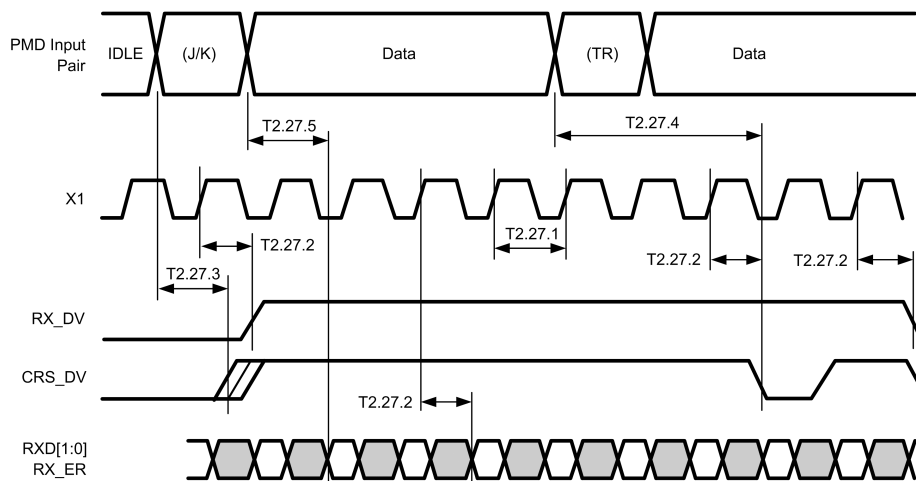


Figure 5-27. RMIIReceive Timing

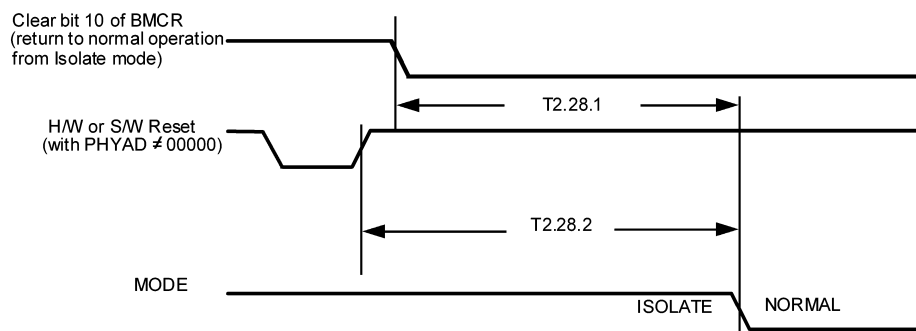


Figure 5-28. Isolation Timing

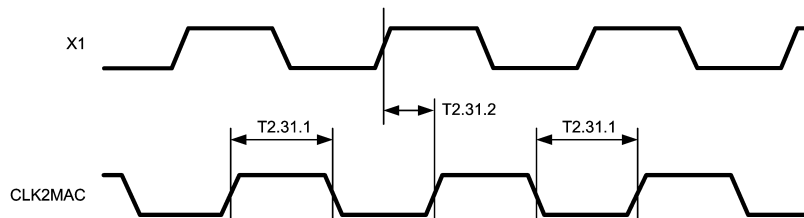


Figure 5-29. 25 MHz\_OUT Timing



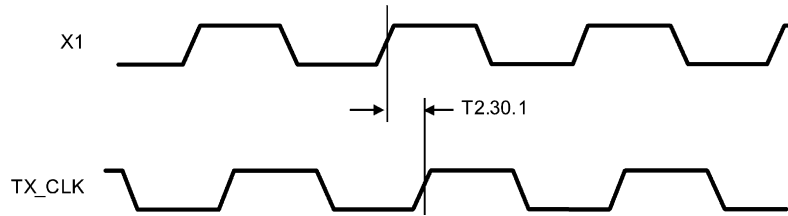


Figure 5-30. 100 Mb/s X1 to TX\_CLK Timing

## 6 Detailed Description

### 6.1 Overview

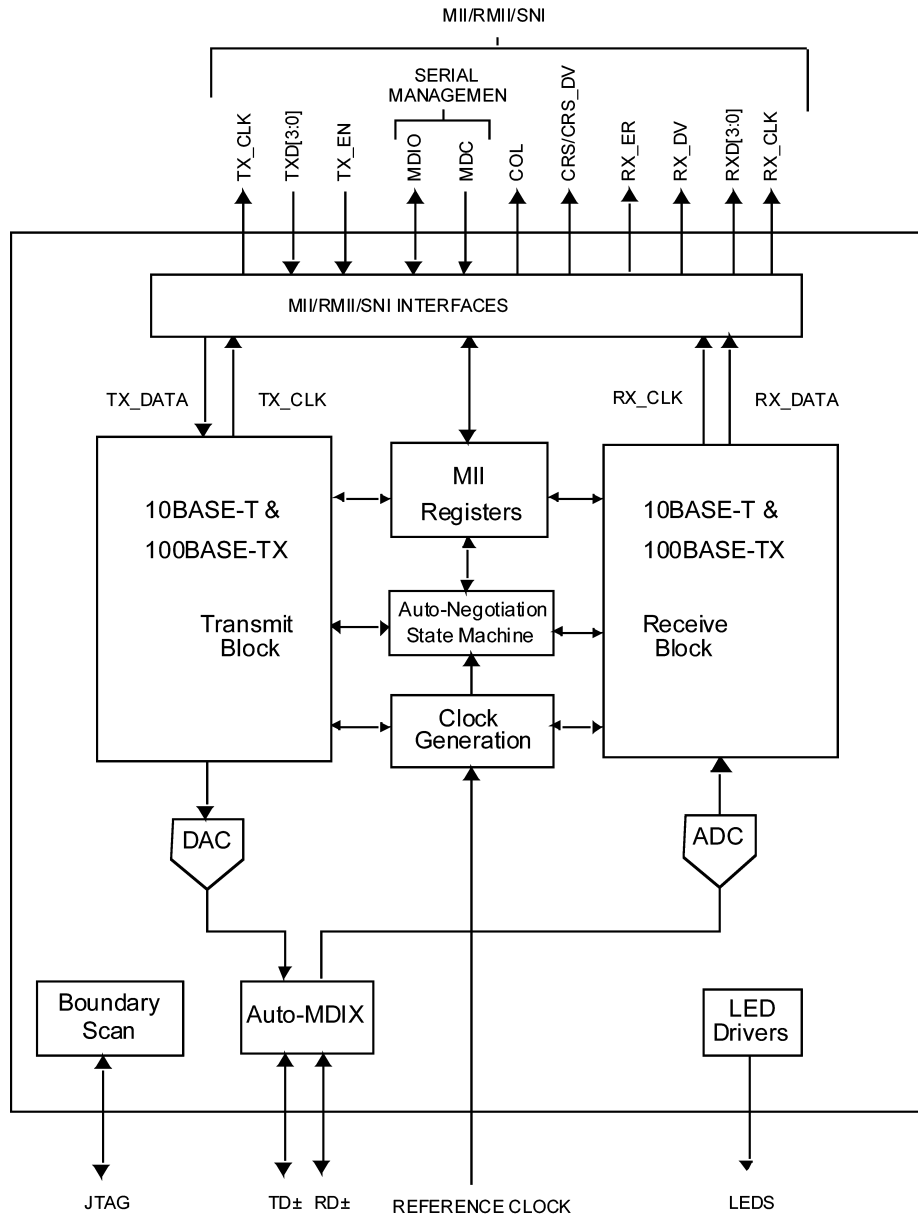
The device is 10/100 Mbps Ethernet transceiver with an extended temperature range of -40°C to 105°C. The ability to perform over extreme temperatures makes this device ideal for demanding environments like Automotive, Transportation and Industrial Applications.

The device is AEC-Q100 Grade 2 certified. Its 3.3-V operating voltage and less than 270-mW typical power consumption makes this device suitable for low power applications.

The device has Auto MDIX capability to select MDI or MDIX automatically. It supports Auto-Negotiation for selecting the highest performance mode of operation. This functionality can be turned off if a particular mode is to be forced.

The device supports both MII and RMI interface thus being more flexible and increasing the number of compatible MPU. MII and RMI options can be selected using strap options or register control. The device operates with 25-MHz clock when in MII mode and requires a 50-MHz clock when in RMI mode.

## 6.2 Functional Block Diagram



## 6.3 Feature Description

This section includes information on the various configuration options available with the DP83848VYB. The configuration options described below include:

- Auto-Negotiation
- PHY Address and LEDs
- Half Duplex vs. Full Duplex
- Isolate mode
- Loopback mode
- BIST

### 6.3.1 Auto-Negotiation

The Auto-Negotiation function provides a mechanism for exchanging configuration information between two ends of a link segment and automatically selecting the highest performance mode of operation supported by both devices. Fast Link Pulse (FLP) Bursts provide the signalling used to communicate Auto-Negotiation abilities between two devices at each end of a link segment. For further detail regarding Auto-Negotiation, refer to Clause 28 of the IEEE 802.3 specification. The DP83848VYB supports four different Ethernet protocols (10 Mb/s Half Duplex, 10 Mb/s Full Duplex, 100 Mb/s Half Duplex, and 100 Mb/s Full Duplex), so the inclusion of Auto-Negotiation ensures that the highest performance protocol will be selected based on the advertised ability of the Link Partner. The Auto-Negotiation function within the DP83848VYB can be controlled either by internal register access or by the use of the AN\_EN, AN1 and AN0 pins.

#### 6.3.1.1 Auto-Negotiation Pin Control

The state of AN\_EN, AN0 and AN1 determines whether the DP83848VYB is forced into a specific mode or Auto-Negotiation will advertise a specific ability (or set of abilities) as given in [Table 6-1](#). These pins allow configuration options to be selected without requiring internal register access.

The state of AN\_EN, AN0 and AN1, upon power up/reset, determines the state of bits [8:5] of the ANAR register.

The Auto-Negotiation function selected at power up or reset can be changed at any time by writing to the Basic Mode Control Register (BMCR) at address 0x00h.

**Table 6-1. Auto-Negotiation Modes**

| AN_EN | AN1 | AN0 | Forced Mode                  |
|-------|-----|-----|------------------------------|
| 0     | 0   | 0   | 10BASE-T, Half-Duplex        |
| 0     | 0   | 1   | 10BASE-T, Full-Duplex        |
| 0     | 1   | 0   | 100BASE-TX, Half-Duplex      |
| 0     | 1   | 1   | 100BASE-TX, Full-Duplex      |
| AN_EN | AN1 | AN0 | Advertised Mode              |
| 1     | 0   | 0   | 10BASE-T, Half/Full-Duplex   |
| 1     | 0   | 1   | 100BASE-TX, Half/Full-Duplex |
| 1     | 1   | 0   | 10BASE-T Half-Duplex         |
|       |     |     | 100BASE-TX, Half-Duplex      |
| 1     | 1   | 1   | 10BASE-T, Half/Full-Duplex   |
|       |     |     | 100BASE-TX, Half/Full-Duplex |

### 6.3.1.2 Auto-Negotiation Register Control

When Auto-Negotiation is enabled, the DP83848VYB transmits the abilities programmed into the Auto-Negotiation Advertisement register (ANAR) at address 04h through FLP Bursts. Any combination of 10 Mb/s, 100 Mb/s, Half-Duplex, and Full Duplex modes may be selected.

Auto-Negotiation Priority Resolution:

1. 100BASE-TX Full Duplex (Highest Priority)
2. 100BASE-TX Half Duplex
3. 10BASE-T Full Duplex
4. 10BASE-T Half Duplex (Lowest Priority)

The Basic Mode Control Register (BMCR) at address 00h provides control for enabling, disabling, and restarting the Auto-Negotiation process. When Auto-Negotiation is disabled, the Speed Selection bit in the BMCR controls switching between 10 Mb/s or 100 Mb/s operation, and the Duplex Mode bit controls switching between full duplex operation and half duplex operation. The Speed Selection and Duplex Mode bits have no effect on the mode of operation when the Auto-Negotiation Enable bit is set.

The Link Speed can be examined through the PHY Status Register (PHYSTS) at address 10h after a Link is achieved.

The Basic Mode Status Register (BMSR) indicates the set of available abilities for technology types, Auto-Negotiation ability, and Extended Register Capability. These bits are permanently set to indicate the full functionality of the DP83848VYB (only the 100BASE-T4 bit is not set since the DP83848VYB does not support that function).

The BMSR also provides status on:

- Whether or not Auto-Negotiation is complete
- Whether or not the Link Partner is advertising that a remote fault has occurred
- Whether or not valid link has been established
- Support for Management Frame Preamble suppression

The Auto-Negotiation Advertisement Register (ANAR) indicates the Auto-Negotiation abilities to be advertised by the DP83848VYB. All available abilities are transmitted by default, but any ability can be suppressed by writing to the ANAR. Updating the ANAR to suppress an ability is one way for a management agent to change (restrict) the technology that is used.

The Auto-Negotiation Link Partner Ability Register (ANLPAR) at address 0x05h is used to receive the base link code word as well as all next page code words during the negotiation. Furthermore, the ANLPAR will be updated to either 0081h or 0021h for parallel detection to either 100 Mb/s or 10 Mb/s respectively.

The Auto-Negotiation Expansion Register (ANER) indicates additional Auto-Negotiation status. The ANER provides status on:

- Whether or not a Parallel Detect Fault has occurred
- Whether or not the Link Partner supports the Next Page function
- Whether or not the DP83848VYB supports the Next Page function
- Whether or not the current page being exchanged by Auto-Negotiation has been received
- Whether or not the Link Partner supports Auto-Negotiation

### 6.3.1.3 Auto-Negotiation Parallel Detection

The DP83848VYB supports the Parallel Detection function as defined in the IEEE 802.3 specification. Parallel Detection requires both the 10 Mb/s and 100 Mb/s receivers to monitor the receive signal and report link status to the Auto-Negotiation function. Auto-Negotiation uses this information to configure the correct technology in the event that the Link Partner does not support Auto-Negotiation but is transmitting link signals that the 100BASE-TX or 10BASE-T PMAs recognize as valid link signals.

If the DP83848VYB completes Auto-Negotiation as a result of Parallel Detection, bits 5 and 7 within the ANLPAR register will be set to reflect the mode of operation present in the Link Partner. Note that bits 4:0 of the ANLPAR will also be set to 00001 based on a successful parallel detection to indicate a valid 802.3 selector field. Software may determine that negotiation completed through Parallel Detection by reading a zero in the Link Partner Auto-Negotiation Able bit once the Auto-Negotiation Complete bit is set. If configured for parallel detect mode and any condition other than a single good link occurs then the parallel detect fault bit will be set.

#### 6.3.1.4 Auto-Negotiation Restart

Once Auto-Negotiation has completed, it may be restarted at any time by setting bit 9 (Restart Auto-Negotiation) of the BMCR to one. If the mode configured by a successful Auto-Negotiation loses a valid link, then the Auto-Negotiation process will resume and attempt to determine the configuration for the link. This function ensures that a valid configuration is maintained if the cable becomes disconnected.

A renegotiation request from any entity, such as a management agent, will cause the DP83848VYB to halt any transmit data and link pulse activity until the `break_link_timer` expires (~1500 ms). Consequently, the Link Partner will go into link fail and normal Auto-Negotiation resumes. The DP83848VYB will resume Auto-Negotiation after the `break_link_timer` has expired by issuing FLP (Fast Link Pulse) bursts.

#### 6.3.1.5 Enabling Auto-Negotiation Through Software

It is important to note that if the DP83848VYB has been initialized upon power up as a non-auto-negotiating device (forced technology), and it is then required that Auto-Negotiation or re-Auto-Negotiation be initiated through software, bit 12 (Auto-Negotiation Enable) of the Basic Mode Control Register (BMCR) must first be cleared and then set for any Auto-Negotiation function to take effect.

#### 6.3.1.6 Auto-Negotiation Complete Time

Parallel detection and Auto-Negotiation take approximately 2-3 seconds to complete. In addition, Auto-Negotiation with next page should take approximately 2-3 seconds to complete, depending on the number of next pages sent.

Refer to Clause 28 of the IEEE 802.3 standard for a full description of the individual timers related to Auto-Negotiation.

#### 6.3.2 Auto-MDIX

When enabled, this function uses Auto-Negotiation to determine the proper configuration for transmission and reception of data and subsequently selects the appropriate MDI pair for MDI/MDIX operation. The function uses a random seed to control switching of the crossover circuitry. This implementation complies with the corresponding IEEE 802.3 Auto-Negotiation and Crossover Specifications.

Auto-MDIX is enabled by default and can be configured through strap or through PHYCR (19h) register, bits [15:14].

Neither Auto-Negotiation nor Auto-MDIX is required to be enabled in forcing crossover of the MDI pairs. Forced crossover can be achieved through the `FORCE_MDIX` bit, bit 14 of PHYCR (19h) register.

---

#### NOTE

Auto-MDIX will not work in a forced mode of operation.

---

#### 6.3.3 LED Interface

The DP83848VYB supports three configurable Light Emitting Diode (LED) pins. The device supports three LED configurations: Link, Speed, Activity and Collision. Function are multiplexed among the LEDs. The PHY Control Register (PHYCR) for the LEDs can also be selected through address 19h, bits [6:5].

See [Table 6-2](#) for LED Mode selection.

**Table 6-2. LED Mode Selection**

| Mode | LED_CFG[1] (bit 6) | LED_CFG[0] (bit 5) or (pin 40) | LED_LINK           | LED_SPEED      | LED_ACT/LED_COL      |
|------|--------------------|--------------------------------|--------------------|----------------|----------------------|
| 1    | don't care         | 1                              | ON for Good Link   | ON in 100 Mb/s | ON for Activity      |
|      |                    |                                | OFF for No Link    | OFF in 10 Mb/s | OFF for No Activity  |
| 2    | 0                  | 0                              | ON for Good Link   | ON in 100 Mb/s | ON for Collision     |
|      |                    |                                | BLINK for Activity | OFF in 10 Mb/s | OFF for No Collision |
| 3    | 1                  | 0                              | ON for Good Link   | ON in 100 Mb/s | ON for Full Duplex   |
|      |                    |                                | BLINK for Activity | OFF in 10 Mb/s | OFF for Half Duplex  |

The LED\_LINK pin in Mode 1 indicates the link status of the port. In 100BASE-T mode, link is established as a result of input receive amplitude compliant with the TP-PMD specifications which will result in internal generation of signal detect. A 10 Mb/s Link is established as a result of the reception of at least seven consecutive normal Link Pulses or the reception of a valid 10BASE-T packet. This will cause the assertion of LED\_LINK. LED\_LINK will deassert in accordance with the Link Loss Timer as specified in the IEEE 802.3 specification.

The LED\_LINK pin in Mode 1 will be OFF when no LINK is present.

The LED\_LINK pin in Mode 2 and Mode 3 will be ON to indicate Link is good and BLINK to indicate activity is present on activity.

The LED\_SPEED pin indicates 10 or 100 Mb/s data rate of the port. The LED is ON when operating in 100Mb/s mode and OFF when operating in 10 Mb/s mode. The functionality of this LED is independent of mode selected.

The LED\_ACT/COL pin in Mode 1 indicates the presence of either transmit or receive activity. The LED will be ON for Activity and OFF for No Activity. In Mode 2, this pin indicates the Collision status of the port. The LED will be ON for Collision and OFF for No Collision.

The LED\_ACT/COL pin in Mode 3 indicates Duplex status for 10 Mb/s or 100 Mb/s operation. The LED will be ON for Full Duplex and OFF for Half Duplex.

In 10 Mb/s half duplex mode, the collision LED is based on the COL signal.

Since these LED pins are also used as strap options, the polarity of the LED is dependent on whether the pin is pulled up or down.

### 6.3.3.1 LEDs

Since the Auto-Negotiation (AN) strap options share the LED output pins, the external components required for strapping and LED usage must be considered in order to avoid contention.

Specifically, when the LED outputs are used to drive LEDs directly, the active state of each output driver is dependent on the logic level sampled by the corresponding AN input upon power up/reset. For example, if a given AN input is resistively pulled low then the corresponding output will be configured as an active high driver. Conversely, if a given AN input is resistively pulled high, then the corresponding output will be configured as an active low driver.

Refer to [Figure 6-1](#) for an example of AN connections to external components. In this example, the AN strapping results in Auto-Negotiation disabled with 10/100 Half/Full-Duplex advertised .

The adaptive nature of the LED outputs helps to simplify potential implementation issues of these dual purpose pins.

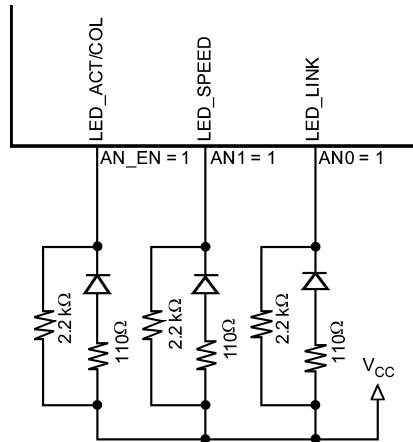


Figure 6-1. AN Strapping and LED Loading Example

### 6.3.3.2 LED Direct Control

The DP83848VYB provides another option to directly control any or all LED outputs through the LED Direct Control Register (LEDCCR), address 18h. The register does not provide read access to LEDs.

### 6.3.4 Internal Loopback

The DP83848VYB includes a Loopback Test mode for facilitating system diagnostics. The Loopback mode is selected through bit 14 (Loopback) of the Basic Mode Control Register (BMCR). Writing 1 to this bit enables MII transmit data to be routed to the MII receive outputs. Loopback status may be checked in bit 3 of the PHY Status Register (PHYSTS). While in Loopback mode the data will not be transmitted onto the media. To ensure that the desired operating mode is maintained, Auto-Negotiation should be disabled before selecting the Loopback mode.

### 6.3.5 BIST

The DP83848VYB incorporates an internal Built-in Self Test (BIST) circuit to accommodate in-circuit testing or diagnostics. The BIST circuit can be used to test the integrity of the transmit and receive data paths. BIST testing can be performed with the part in the internal loopback mode or externally looped back using a loopback cable fixture.

The BIST is implemented with independent transmit and receive paths, with the transmit block generating a continuous stream of a pseudo random sequence. The user can select a 9 bit or 15 bit pseudo random sequence from the PSR\_15 bit in the PHY Control Register (PHYCR). The received data is compared to the generated pseudo-random data by the BIST Linear Feedback Shift Register (LFSR) to determine the BIST pass/fail status.

The pass/fail status of the BIST is stored in the BIST status bit in the PHYCR register. The status bit defaults to 0 (BIST fail) and will transition on a successful comparison. If an error (mis-compare) occurs, the status bit is latched and is cleared upon a subsequent write to the Start/Stop bit.

For transmit VOD testing, the Packet BIST Continuous Mode can be used to allow continuous data transmission, setting BIST\_CONT\_MODE, bit 5, of CDCTRL1 (0x1Bh).

The number of BIST errors can be monitored through the BIST Error Count in the CDCTRL1 (0x1Bh), bits [15:8].



### 6.3.6 Energy Detect Mode

When Energy Detect is enabled and there is no activity on the cable, the DP83848C/I/VYB/YB will remain in a low power mode while monitoring the transmission line. Activity on the line will cause the device to go through a normal power-up sequence. Regardless of cable activity, the device will occasionally wake up the transmitter to put ED pulses on the line, but will otherwise draw as little power as possible. Energy detect functionality is controlled through register Energy Detect Control (EDCR), address 0x1Dh.

## 6.4 Device Functional Modes

The DP83848C/I/VYB/YB supports several modes of operation using the MII interface pins. The options are defined in the following sections and include:

- MII Mode
- RMII Mode

The modes of operation can be selected by strap options or register control. For RMII mode, it is required to use the strap option, since it requires a 50-MHz clock instead of the normal 25 MHz.

In each of these modes, the IEEE 802.3 serial management interface is operational for device configuration and status. The serial management interface of the MII allows for the configuration and control of multiple PHY devices, gathering of status, error information, and the determination of the type and capabilities of the attached PHY(s).

### 6.4.1 MII Interface

The DP83848VYB incorporates the Media Independent Interface (MII) as specified in Clause 22 of the IEEE 802.3 standard. This interface may be used to connect PHY devices to a MAC in 10/100 Mb/s systems. This section describes the nibble wide MII data interface.

The nibble wide MII data interface consists of a receive bus and a transmit bus each with control signals to facilitate data transfer between the PHY and the upper layer (MAC).

#### 6.4.1.1 Nibble-wide MII Data Interface

Clause 22 of the IEEE 802.3 specification defines the Media Independent Interface. This interface includes a dedicated receive bus and a dedicated transmit bus. These two data buses, along with various control and status signals, allow for the simultaneous exchange of data between the DP83848VYB and the upper layer agent (MAC).

The receive interface consists of a nibble wide data bus RXD[3:0], a receive error signal RX\_ER, a receive data valid flag RX\_DV, and a receive clock RX\_CLK for synchronous transfer of the data. The receive clock operates at either 2.5 MHz to support 10 Mb/s operation modes or at 25 MHz to support 100 Mb/s operational modes.

The transmit interface consists of a nibble wide data bus TXD[3:0], a transmit enable control signal TX\_EN, and a transmit clock TX\_CLK which runs at either 2.5 MHz or 25 MHz.

Additionally, the MII includes the carrier sense signal CRS, as well as a collision detect signal COL. The CRS signal asserts to indicate the reception of data from the network or as a function of transmit data in Half Duplex mode. The COL signal asserts as an indication of a collision which can occur during half-duplex operation when both a transmit and receive operation occur simultaneously.

#### 6.4.1.2 Collision Detect

For Half Duplex, a 10BASE-T or 100BASE-TX collision is detected when the receive and transmit channels are active simultaneously. Collisions are reported by the COL signal on the MII.

If the DP83848VYB is transmitting in 10 Mb/s mode when a collision is detected, the collision is not reported until seven bits have been received while in the collision state. This prevents a collision being reported incorrectly due to noise on the network. The COL signal remains set for the duration of the collision.

If a collision occurs during a receive operation, it is immediately reported by the COL signal.

When heartbeat is enabled (only applicable to 10 Mb/s operation), approximately 1  $\mu$ s after the transmission of each packet, a Signal Quality Error (SQE) signal of approximately 10 bit times is generated (internally) to indicate successful transmission. SQE is reported as a pulse on the COL signal of the MII.

### 6.4.1.3 Carrier Sense

Carrier Sense (CRS) is asserted due to receive activity, once valid data is detected through the squelch function during 10 Mb/s operation. During 100 Mb/s operation CRS is asserted when a valid link (SD) and two non-contiguous zeros are detected on the line.

For 10 or 100 Mb/s Half Duplex operation, CRS is asserted during either packet transmission or reception.

For 10 or 100 Mb/s Full Duplex operation, CRS is asserted only due to receive activity.

CRS is deasserted following an end of packet.

### 6.4.2 Reduced MII Interface

The DP83848VYB incorporates the Reduced Media Independent Interface (RMII) as specified in the RMII specification (rev1.2) from the RMII Consortium. This interface may be used to connect PHY devices to a MAC in 10/100 Mb/s systems using a reduced number of pins. In this mode, data is transferred 2-bits at a time using the 50-MHz RMII\_REF clock for both transmit and receive. The following pins are used in RMII mode:

- TX\_EN
- TXD[1:0]
- RX\_ER (optional for MAC)
- CRS\_DV
- RXD[1:0]
- X1 (RMII Reference clock is 50 MHz)

In addition, the RMII mode supplies an RX\_DV signal which allows for a simpler method of recovering receive data without having to separate RX\_DV from the CRS\_DV indication. This is especially useful for diagnostic testing where it may be desirable to externally loop Receive MII data directly to the transmitter.

Since the reference clock operates at 10 times the data rate for 10 Mb/s operation, transmit data is sampled every 10 clocks. Likewise, receive data will be generated every 10th clock so that an attached device can sample the data every 10 clocks.

RMII mode requires a 50-MHz oscillator be connected to the device X1 pin. A 50 MHz crystal is not supported.

To tolerate potential frequency differences between the 50-MHz reference clock and the recovered receive clock, the receive RMII function includes a programmable elasticity buffer. The elasticity buffer is programmable to minimize propagation delay based on expected packet size and clock accuracy. This allows for supporting a range of packet sizes including jumbo frames.

The elasticity buffer will force Frame Check Sequence errors for packets which overrun or underrun the FIFO. Underrun and Overrun conditions can be reported in the RMII and Bypass Register (RBR). The following table indicates how to program the elasticity buffer fifo (in 4-bit increments) based on expected max packet size and clock accuracy. It assumes both clocks (RMII Reference clock and far-end Transmitter clock) have the same accuracy.

**Table 6-3. Supported Packet Sizes at ±50ppm ±100ppm For Each Clock**

| Start Threshold RBR[1:0] | Latency Tolerance | Recommended Packet Size at ±50ppm | Recommended Packet Size at ±100ppm |
|--------------------------|-------------------|-----------------------------------|------------------------------------|
| 1 (4-bits)               | 2 bits            | 2,400 bytes                       | 1,200 bytes                        |
| 2 (8-bits)               | 6 bits            | 7,200 bytes                       | 3,600 bytes                        |
| 3 (12-bits)              | 10 bits           | 12,000 bytes                      | 6,000 bytes                        |
| 0 (16-bits)              | 14 bits           | 16,800 bytes                      | 8,400 bytes                        |

### 6.4.3 802.3 MII Serial Management Interface

#### 6.4.3.1 Serial Management Register Access

The serial management MII specification defines a set of thirty-two 16-bit status and control registers that are accessible through the management interface pins MDC and MDIO. The DP83848VYB implements all the required MII registers as well as several optional registers. These registers are fully described in [Section 6.6.1](#). A description of the serial management access protocol follows.

#### 6.4.3.2 Serial Management Access Protocol

The serial control interface consists of two pins, Management Data Clock (MDC) and Management Data Input/Output (MDIO). MDC has a maximum clock rate of 25 MHz and no minimum rate. The MDIO line is bi-directional and may be shared by up to 32 devices. The MDIO frame format is shown below in [Table 6-4](#).

**Table 6-4. Typical MDIO Frame Format**

| MII Management Serial Protocol | <idle><start><op code><device addr><reg addr><turnaround><data><idle> |
|--------------------------------|---|
| Read Operation                 | <idle><01><10><AAAAA><RRRRR><Z0><xxxx xxxx xxxx xxxx><idle>           |
| Write Operation                | <idle><01><01><AAAAA><RRRRR><10><xxxx xxxx xxxx xxxx><idle>           |

The MDIO pin requires a pullup resistor (1.5 kΩ) which, during IDLE and turnaround, will pull MDIO high. In order to initialize the MDIO interface, the station management entity sends a sequence of 32 contiguous logic ones on MDIO to provide the DP83848VYB with a sequence that can be used to establish synchronization. This preamble may be generated either by driving MDIO high for 32 consecutive MDC clock cycles, or by simply allowing the MDIO pullup resistor to pull the MDIO pin high during which time 32 MDC clock cycles are provided. In addition 32 MDC clock cycles should be used to re-sync the device if an invalid start, opcode, or turnaround bit is detected.

The DP83848VYB waits until it has received this preamble sequence before responding to any other transaction. Once the DP83848VYB serial management port has been initialized no further preamble sequencing is required until after a power-on/reset, invalid Start, invalid Opcode, or invalid turnaround bit has occurred.

The Start code is indicated by a <01> pattern. This assures the MDIO line transitions from the default idle line state.

Turnaround is defined as an idle bit time inserted between the Register Address field and the Data field. To avoid contention during a read transaction, no device shall actively drive the MDIO signal during the first bit of Turnaround. The addressed DP83848VYB drives the MDIO with a zero for the second bit of turnaround and follows this with the required data. [Figure 6-2](#) shows the timing relationship between MDC and the MDIO as driven/received by the Station (STA) and the DP83848VYB (PHY) for a typical register read access.

For write transactions, the station management entity writes data to the addressed DP83848VYB thus eliminating the requirement for MDIO Turnaround. The Turnaround time is filled by the management entity by inserting <10>. [Figure 6-3](#) shows the timing relationship for a typical MII register write access.



**Table 6-5. PHY Address Mapping**

| Pin # | PHYAD Function | RXD Function |
|-------|----------------|--------------|
| 42    | PHYAD0         | COL          |
| 43    | PHYAD1         | RXD_0        |
| 44    | PHYAD2         | RXD_1        |
| 45    | PHYAD3         | RXD_2        |
| 46    | PHYAD4         | RXD_3        |

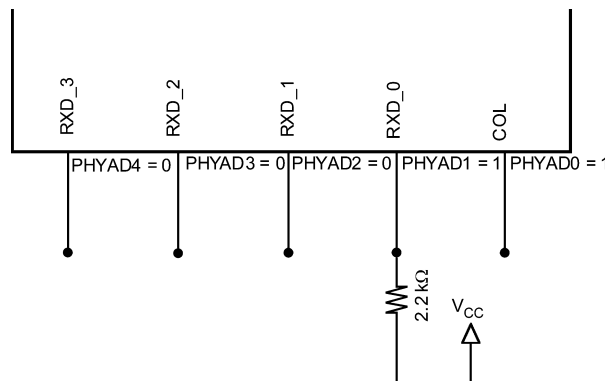
The DP83848VYB can be set to respond to any of 32 possible PHY addresses through strap pins. The information is latched into the PHYCR register (address 19h, bits [4:0]) at device power up and hardware reset. The PHY Address pins are shared with the RXD and COL pins. Each DP83848VYB or port sharing an MDIO bus in a system must have a unique physical address.

The DP83848VYB supports PHY Address strapping values 0 (<00000>) through 31 (<11111>). Strapping PHY Address 0 puts the part into Isolate Mode. It should also be noted that selecting PHY Address 0 through an MDIO write to PHYCR will not put the device in Isolate Mode. See [Section 6.4.5.1](#) for more information.

For further detail relating to the latch-in timing requirements of the PHY Address pins, as well as the other hardware configuration pins, refer to the Reset summary in [Section 6.4.7](#).

Since the PHYAD[0] pin has weak internal pullup resistor and PHYAD[4:1] pins have weak internal pulldown resistors, the default setting for the PHY address is 00001 (0x01h).

Refer to [Figure 6-4](#) for an example of a PHYAD connection to external components. In this example, the PHYAD strapping results in address 000101 (0x03h).



**Figure 6-4. PHYAD Strapping Example**

#### 6.4.5.1 MII Isolate Mode

The DP83848VYB can be put into MII Isolate mode by writing to bit 10 of the BMCR register or by strapping in Physical Address 0. It should be noted that selecting Physical Address 0 through an MDIO write to PHYCR will not put the device in the MII isolate mode.

When in the MII isolate mode, the DP83848VYB does not respond to packet data present at TXD[3:0], TX\_EN inputs and presents a high impedance on the TX\_CLK, RX\_CLK, RX\_DV, RX\_ER, RXD[3:0], COL, and CRS outputs. When in Isolate mode, the DP83848VYB will continue to respond to all management transactions.

While in Isolate mode, the PMD output pair will not transmit packet data but will continue to source 100BASE-TX scrambled idles or 10BASE-T normal link pulses.

The DP83848VYB can Auto-Negotiate or parallel detect to a specific technology depending on the receive signal at the PMD input pair. A valid link can be established for the receiver even when the DP83848VYB is in Isolate mode.

### 6.4.6 Half Duplex vs. Full Duplex

The DP83848VYB supports both half and full duplex operation at both 10 Mb/s and 100 Mb/s speeds.

Half-duplex relies on the CSMA/CD protocol to handle collisions and network access. In Half-Duplex mode, CRS responds to both transmit and receive activity in order to maintain compliance with the IEEE 802.3 specification.

Since the DP83848VYB is designed to support simultaneous transmit and receive activity it is capable of supporting full-duplex switched applications with a throughput of up to 200 Mb/s per port when operating in 100BASE-TX. Because the CSMA/CD protocol does not apply to full-duplex operation, the DP83848VYB disables its own internal collision sensing and reporting functions and modifies the behavior of Carrier Sense (CRS) such that it indicates only receive activity. This allows a full-duplex capable MAC to operate properly.

All modes of operation (100BASE-TX, and 10BASE-T) can run either half-duplex or full-duplex. Additionally, other than CRS and Collision reporting, all remaining MII signaling remains the same regardless of the selected duplex mode.

It is important to understand that while Auto-Negotiation with the use of Fast Link Pulse code words can interpret and configure to full-duplex operation, parallel detection can not recognize the difference between full and half-duplex from a fixed 10 Mb/s or 100 Mb/s link partner over twisted pair. As specified in the 802.3 specification, if a far-end link partner is configured to a forced full duplex 100BASE-TX ability, the parallel detection state machine in the partner would be unable to detect the full duplex capability of the far-end link partner. This link segment would negotiate to a half duplex 100BASE-TX configuration (same scenario for 10 Mb/s).

### 6.4.7 Reset Operation

The DP83848VYB includes an internal power-on reset (POR) function and does not need to be explicitly reset for normal operation after power up. If required during normal operation, the device can be reset by a hardware or software reset.

#### 6.4.7.1 Hardware Reset

A hardware reset is accomplished by applying a low pulse (TTL level), with a duration of at least 1  $\mu$ s, to the RESET\_N pin. This will reset the device such that all registers will be reinitialized to default values and the hardware configuration values will be re-latched into the device (similar to the power up/reset operation).

#### 6.4.7.2 Software Reset

A software reset is accomplished by setting the reset bit (bit 15) of the Basic Mode Control Register (BMCR). The period from the point in time when the reset bit is set to the point in time when software reset has concluded is approximately 1  $\mu$ s.

A software reset will reset the device such that all registers will be reinitialized to default values and the hardware configuration values will be re-latched into the device. Software driver code must wait 3  $\mu$ s following a software reset before allowing further serial MII operations with the DP83848VYB.

## 6.5 Programming

### 6.5.1 Architecture

This section describes the operations within each transceiver module, 100BASE-TX and 10BASE-T. Each operation consists of several functional blocks and described in the following:

- 100BASE-TX Transmitter
- 100BASE-TX Receiver
- 10BASE-T Transceiver Module

#### 6.5.1.1 100BASE-TX Transmitter

The 100BASE-TX transmitter consists of several functional blocks which convert synchronous 4-bit nibble data, as provided by the MII, to a scrambled MLT-3 125 Mb/s serial data stream. Because the 100BASE-TX TP-PMD is integrated, the differential output pins, PMD Output Pair, can be directly routed to the magnetics.

The block diagram in [Figure 6-5](#), provides an overview of each functional block within the 100BASE-TX transmit section.

The Transmitter section consists of the following functional blocks:

- Code-group Encoder and Injection block
- Scrambler block (bypass option)
- NRZ to NRZI encoder block
- Binary to MLT-3 converter / Common Driver

The bypass option for the functional blocks within the 100BASE-TX transmitter provides flexibility for applications where data conversion is not always required. The DP83848VYB implements the 100BASE-TX transmit state machine diagram as specified in the IEEE 802.3 Standard, Clause 24.

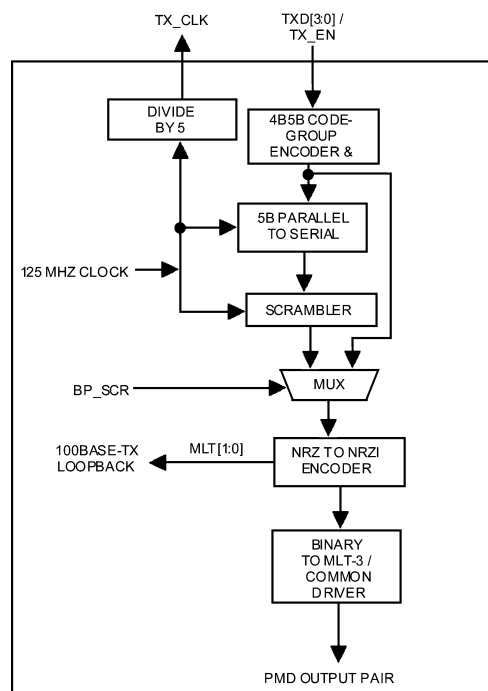


Figure 6-5. 100BASE-TX Transmit Block Diagram

**Table 6-6. 4B5B Code-Group Encoding/Decoding**

| DATA CODES             |       |  |
|------------------------|-------|--|
| 0                      | 11110 | 0000   |
| 1                      | 01001 | 0001   |
| 2                      | 10100 | 0010   |
| 3                      | 10101 | 0011   |
| 4                      | 01010 | 0100   |
| 5                      | 01011 | 0101   |
| 6                      | 01110 | 0110   |
| 7                      | 01111 | 0111   |
| 8                      | 10010 | 1000   |
| 9                      | 10011 | 1001   |
| A                      | 10110 | 1010   |
| B                      | 10111 | 1011   |
| C                      | 11010 | 1100   |
| D                      | 11011 | 1101   |
| E                      | 11100 | 1110   |
| F                      | 11101 | 1111   |
| IDLE AND CONTROL CODES |       |  |
| H                      | 00100 | HALT code-group - Error code                 |
| I                      | 11111 | Inter-Packet IDLE - 0000 <sup>(1)</sup>      |
| J                      | 11000 | First Start of Packet - 0101 <sup>(1)</sup>  |
| K                      | 10001 | Second Start of Packet - 0101 <sup>(1)</sup> |
| T                      | 01101 | First End of Packet - 0000 <sup>(1)</sup>    |
| R                      | 00111 | Second End of Packet - 0000 <sup>(1)</sup>   |
| INVALID CODES          |       |  |
| V                      | 00000 |  |
| V                      | 00001 |  |
| V                      | 00010 |  |
| V                      | 00011 |  |
| V                      | 00101 |  |
| V                      | 00110 |  |
| V                      | 01000 |  |
| V                      | 01100 |  |

(1) Control code-groups I, J, K, T and R in data fields will be mapped as invalid codes, together with RX\_ER asserted.

**6.5.1.1.1 Code-group Encoding and Injection**

The code-group encoder converts 4-bit (4B) nibble data generated by the MAC into 5-bit (5B) code-groups for transmission. This conversion is required to allow control data to be combined with packet data code-groups. Refer to [Table 6-6](#) for 4B to 5B code-group mapping details.

The code-group encoder substitutes the first 8-bits of the MAC preamble with a J/K code-group pair (11000 10001) upon transmission. The code-group encoder continues to replace subsequent 4B preamble and data nibbles with corresponding 5B code-groups. At the end of the transmit packet, upon the deassertion of Transmit Enable signal from the MAC, the code-group encoder injects the T/R code-group pair (01101 00111) indicating the end of the frame.

After the T/R code-group pair, the code-group encoder continuously injects IDLEs into the transmit data stream until the next transmit packet is detected (reassertion of Transmit Enable).



### 6.5.1.1.2 Scrambler

The scrambler is required to control the radiated emissions at the media connector and on the twisted pair cable (for 100BASE-TX applications). By scrambling the data, the total energy launched onto the cable is randomly distributed over a wide frequency range. Without the scrambler, energy levels at the PMD and on the cable could peak beyond FCC limitations at frequencies related to repeating 5B sequences (for example, continuous transmission of IDLEs).

The scrambler is configured as a closed loop linear feedback shift register (LFSR) with an 11-bit polynomial. The output of the closed loop LFSR is X-ORd with the serial NRZ data from the code-group encoder. The result is a scrambled data stream with sufficient randomization to decrease radiated emissions at certain frequencies by as much as 20 dB. The DP83848VYB uses the PHY\_ID (pins PHYAD [4:1]) to set a unique seed value.

### 6.5.1.1.3 NRZ to NRZI Encoder

After the transmit data stream has been serialized and scrambled, the data must be NRZI encoded in order to comply with the TP-PMD standard for 100BASE-TX transmission over Category-5 Unshielded twisted pair cable.

### 6.5.1.1.4 Binary to MLT-3 Convertor

The Binary to MLT-3 conversion is accomplished by converting the serial binary data stream output from the NRZI encoder into two binary data streams with alternately phased logic one events. These two binary streams are then fed to the twisted pair output driver which converts the voltage to current and alternately drives either side of the transmit transformer primary winding, resulting in a MLT-3 signal.

The 100BASE-TX MLT-3 signal sourced by the PMD Output Pair common driver is slew rate controlled. This should be considered when selecting AC coupling magnetics to ensure TP-PMD Standard compliant transition times ( $3 \text{ ns} < T_r < 5 \text{ ns}$ ).

The 100BASE-TX transmit TP-PMD function within the DP83848VYB is capable of sourcing only MLT-3 encoded data. Binary output from the PMD Output Pair is not possible in 100 Mb/s mode.

## 6.5.1.2 100BASE-TX Receiver

The 100BASE-TX receiver consists of several functional blocks which convert the scrambled MLT-3 125 Mb/s serial data stream to synchronous 4-bit nibble data that is provided to the MII. Because the 100BASE-TX TP-PMD is integrated, the differential input pins,  $RD_{\pm}$ , can be directly routed from the AC coupling magnetics.

See [Figure 6-6](#) for a block diagram of the 100BASE-TX receive function. This provides an overview of each functional block within the 100BASE-TX receive section.

The Receive section consists of the following functional blocks:

- Analog Front End
- Digital Signal Processor
- Signal Detect
- MLT-3 to Binary Decoder
- NRZI to NRZ Decoder
- Serial to Parallel
- Descrambler
- Code Group Alignment
- 4B/5B Decoder
- Link Integrity Monitor
- Bad SSD Detection

### 6.5.1.2.1 Analog Front End

In addition to the Digital Equalization and Gain Control, the DP83848VYB includes Analog Equalization and Gain Control in the Analog Front End. The Analog Equalization reduces the amount of Digital Equalization required in the DSP.

### 6.5.1.2.2 Digital Signal Processor

The Digital Signal Processor includes Adaptive Equalization with Gain Control and Base Line Wander Compensation.

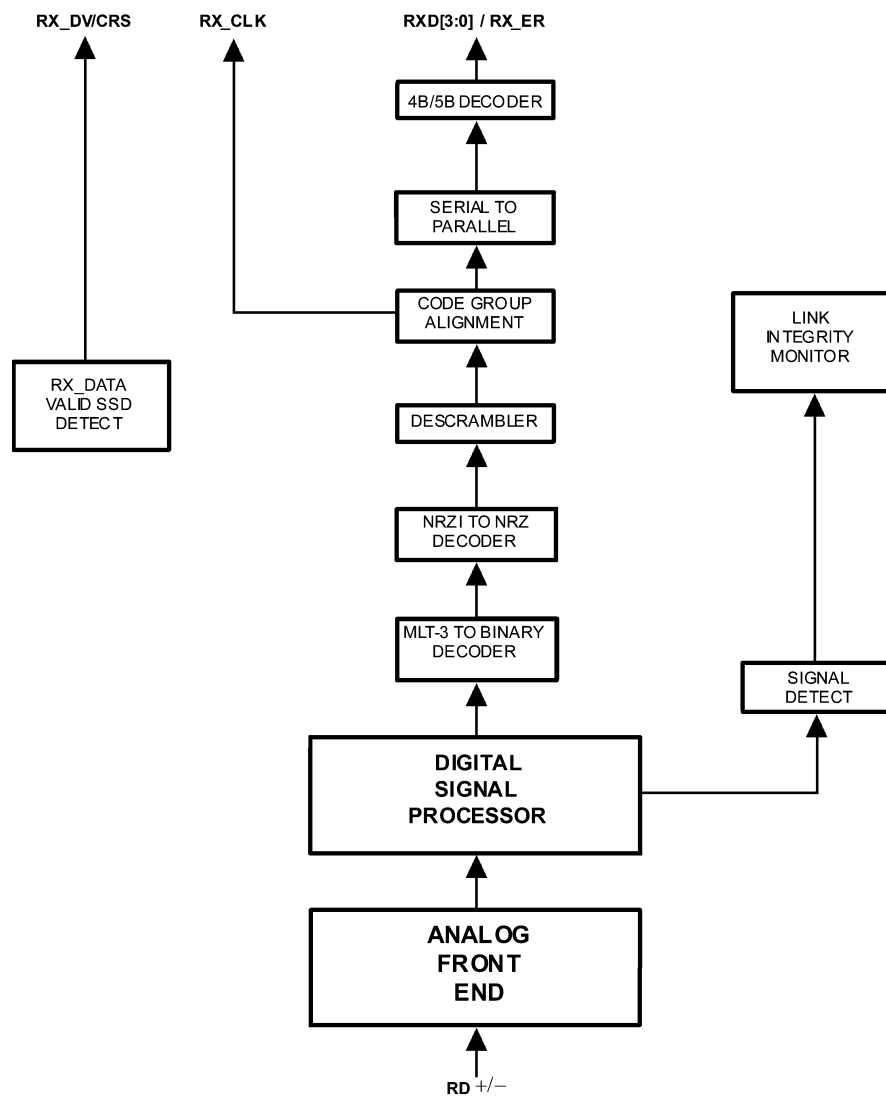


Figure 6-6. 100BASE-TX Receive Block Diagram

#### 6.5.1.2.2.1 Digital Adaptive Equalization and Gain Control

When transmitting data at high speeds over copper twisted pair cable, frequency dependent attenuation becomes a concern. In high-speed twisted pair signalling, the frequency content of the transmitted signal can vary greatly during normal operation based primarily on the randomness of the scrambled data stream. This variation in signal attenuation caused by frequency variations must be compensated to ensure the integrity of the transmission.

In order to ensure quality transmission when employing MLT-3 encoding, the compensation must be able to adapt to various cable lengths and cable types depending on the installed environment. The selection of long cable lengths for a given implementation, requires significant compensation which will over-compensate for shorter, less attenuating lengths. Conversely, the selection of short or intermediate cable lengths requiring less compensation will cause serious under-compensation for longer length cables. The compensation or equalization must be adaptive to ensure proper conditioning of the received signal independent of the cable length.

The DP83848VYB uses an extremely robust equalization scheme referred as 'Digital Adaptive Equalization.'

The Digital Equalizer removes ISI (inter symbol interference) from the receive data stream by continuously adapting to provide a filter with the inverse frequency response of the channel. Equalization is combined with an adaptive gain control stage. This enables the receive 'eye pattern' to be opened sufficiently to allow very reliable data recovery.

The curves given in [Figure 6-8](#) illustrate attenuation at certain frequencies for given cable lengths. This is derived from the worst case frequency vs. attenuation figures as specified in the EIA/TIA Bulletin TSB-36. These curves indicate the significant variations in signal attenuation that must be compensated for by the receive adaptive equalization circuit.

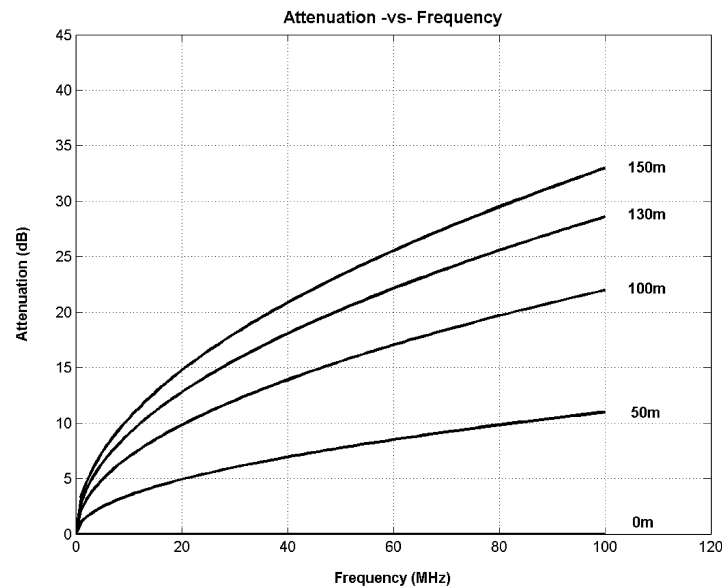


Figure 6-7. EIA/TIA Attenuation vs. Frequency for 0, 50, 100, 130 and 150 Meters of CAT 5 Cable

#### 6.5.1.2.2.2 Base Line Wander Compensation

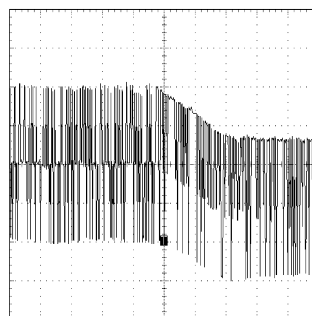


Figure 6-8. 100BASE-TX BLW Event

The DP83848VYB is completely ANSI TP-PMD compliant and includes Base Line Wander (BLW) compensation. The BLW compensation block can successfully recover the TP-PMD defined “killer” pattern.

BLW can generally be defined as the change in the average DC content, relatively short period over time, of an AC coupled digital transmission over a given transmission medium. (for example,, copper wire).

BLW results from the interaction between the low frequency components of a transmitted bit stream and the frequency response of the AC coupling component(s) within the transmission system. If the low frequency content of the digital bit stream goes below the low frequency pole of the AC coupling transformers then the droop characteristics of the transformers will dominate resulting in potentially serious BLW.

The digital oscilloscope plot provided in [Figure 6-9](#) illustrates the severity of the BLW event that can theoretically be generated during 100BASE-TX packet transmission. This event consists of approximately 800 mV of DC offset for a period of 120 ms. Left uncompensated, events such as this can cause packet loss.

### 6.5.1.2.3 Signal Detect

The signal detect function of the DP83848VYB is incorporated to meet the specifications mandated by the ANSI FDDI TP-PMD Standard as well as the IEEE 802.3 100BASE-TX Standard for both voltage thresholds and timing parameters.

Note that the reception of normal 10BASE-T link pulses and fast link pulses per IEEE 802.3 Auto-Negotiation by the 100BASE-TX receiver do not cause the DP83848VYB to assert signal detect.

### 6.5.1.2.4 MLT-3 to NRZI Decoder

The DP83848VYB decodes the MLT-3 information from the Digital Adaptive Equalizer block to binary NRZI data.

### 6.5.1.2.5 NRZI to NRZ

In a typical application, the NRZI to NRZ decoder is required in order to present NRZ formatted data to the descrambler.

### 6.5.1.2.6 Serial to Parallel

The 100BASE-TX receiver includes a Serial to Parallel converter which supplies 5-bit wide data symbols to the PCS Rx state machine.

### 6.5.1.2.7 Descrambler

A serial descrambler is used to de-scramble the received NRZ data. The descrambler has to generate an identical data scrambling sequence (N) in order to recover the original unscrambled data (UD) from the scrambled data (SD) as represented in the equations:

$$SD = (UD \oplus N) \tag{1}$$

$$UD = (SD \oplus N) \tag{2}$$

Synchronization of the descrambler to the original scrambling sequence (N) is achieved based on the knowledge that the incoming scrambled data stream consists of scrambled IDLE data. After the descrambler has recognized 12 consecutive IDLE code-groups, where an unscrambled IDLE code-group in 5B NRZ is equal to five consecutive ones (11111), it will synchronize to the receive data stream and generate unscrambled data in the form of unaligned 5B code-groups.

In order to maintain synchronization, the descrambler must continuously monitor the validity of the unscrambled data that it generates. To ensure this, a line state monitor and a hold timer are used to constantly monitor the synchronization status. Upon synchronization of the descrambler the hold timer starts a 722- $\mu$ s countdown. Upon detection of sufficient IDLE code-groups (58 bit times) within the 722- $\mu$ s period, the hold timer will reset and begin a new countdown. This monitoring operation will continue indefinitely given a properly operating network connection with good signal integrity. If the line state monitor does not recognize sufficient unscrambled IDLE code-groups within the 722- $\mu$ s period, the entire descrambler will be forced out of the current state of synchronization and reset in order to re-acquire synchronization.

#### 6.5.1.2.8 Code-group Alignment

The code-group alignment module operates on unaligned 5-bit data from the descrambler (or, if the descrambler is bypassed, directly from the NRZI/NRZ decoder) and converts it into 5B code-group data (5 bits). Code-group alignment occurs after the J/K code-group pair is detected. Once the J/K code-group pair (11000 10001) is detected, subsequent data is aligned on a fixed boundary.

#### 6.5.1.2.9 4B/5B Decoder

The code-group decoder functions as a look up table that translates incoming 5B code-groups into 4B nibbles. The code-group decoder first detects the J/K code-group pair preceded by IDLE code-groups and replaces the J/K with MAC preamble. Specifically, the J/K 10-bit code-group pair is replaced by the nibble pair (0101 0101). All subsequent 5B code-groups are converted to the corresponding 4B nibbles for the duration of the entire packet. This conversion ceases upon the detection of the T/R code-group pair denoting the End of Stream Delimiter (ESD) or with the reception of a minimum of two IDLE code-groups.

#### 6.5.1.2.10 100BASE-TX Link Integrity Monitor

The 100 Base TX Link monitor ensures that a valid and stable link is established before enabling both the Transmit and Receive PCS layer.

Signal detect must be valid for 395  $\mu$ s to allow the link monitor to enter the 'Link Up' state, and enable the transmit and receive functions.

#### 6.5.1.2.11 Bad SSD Detection

A Bad Start of Stream Delimiter (Bad SSD) is any transition from consecutive idle code-groups to non-idle code-groups which is not prefixed by the code-group pair /J/K.

If this condition is detected, the DP83848VYB will assert RX\_ER and present RXD[3:0] = 1110 to the MII for the cycles that correspond to received 5B code-groups until at least two IDLE code groups are detected. In addition, the False Carrier Sense Counter register (FCSCR) will be incremented by one.

Once at least two IDLE code groups are detected, RX\_ER and CRS become deasserted.

### 6.5.1.3 10BASE-T Transceiver Module

The 10BASE-T Transceiver Module is IEEE 802.3 compliant. It includes the receiver, transmitter, collision, heartbeat, loopback, jabber, and link integrity functions, as defined in the standard. An external filter is not required on the 10BASE-T interface since this is integrated inside the DP83848VYB. This section focuses on the general 10BASE-T system level operation.

#### 6.5.1.3.1 Operational Modes

The DP83848VYB has two basic 10BASE-T operational modes:

- Half Duplex mode
- Full Duplex mode

### 6.5.1.3.1.1 Half Duplex Mode

In Half Duplex mode the DP83848VYB functions as a standard IEEE 802.3 10BASE-T transceiver supporting the CSMA/CD protocol.

### 6.5.1.3.1.2 Full Duplex Mode

In Full Duplex mode the DP83848VYB is capable of simultaneously transmitting and receiving without asserting the collision signal. The DP83848VYB's 10 Mb/s ENDEC is designed to encode and decode simultaneously.

### 6.5.1.3.2 Smart Squelch

The smart squelch is responsible for determining when valid data is present on the differential receive inputs. The DP83848VYB implements an intelligent receive squelch to ensure that impulse noise on the receive inputs will not be mistaken for a valid signal. Smart squelch operation is independent of the 10BASE-T operational mode.

The squelch circuitry employs a combination of amplitude and timing measurements (as specified in the IEEE 802.3 10BASE-T standard) to determine the validity of data on the twisted pair inputs (refer to [Figure 6-9](#)).

The signal at the start of a packet is checked by the smart squelch and any pulses not exceeding the squelch level (either positive or negative, depending upon polarity) will be rejected. Once this first squelch level is overcome correctly, the opposite squelch level must then be exceeded within 150 ns. Finally the signal must again exceed the original squelch level within 150 ns to ensure that the input waveform will not be rejected. This checking procedure results in the loss of typically three preamble bits at the beginning of each packet.

Only after all these conditions have been satisfied will a control signal be generated to indicate to the remainder of the circuitry that valid data is present. At this time, the smart squelch circuitry is reset.

Valid data is considered to be present until the squelch level has not been generated for a time longer than 150 ns, indicating the End of Packet. Once good data has been detected, the squelch levels are reduced to minimize the effect of noise causing premature End of Packet detection.

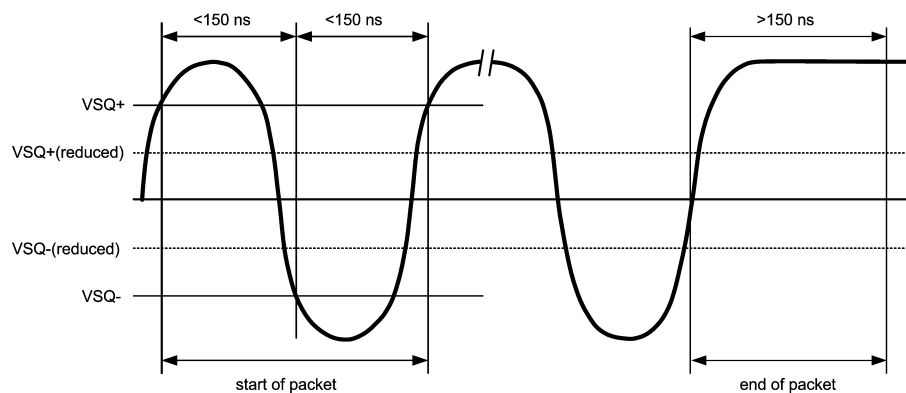


Figure 6-9. 10BASE-T Twisted Pair Smart Squelch Operation

### 6.5.1.3.3 Collision Detection and SQE

When in Half Duplex, a 10BASE-T collision is detected when the receive and transmit channels are active simultaneously. Collisions are reported by the COL signal on the MII. Collisions are also reported when a jabber condition is detected.

The COL signal remains set for the duration of the collision. If the PHY is receiving when a collision is detected it is reported immediately (through the COL pin).

When heartbeat is enabled, approximately 1  $\mu$ s after the transmission of each packet, a Signal Quality Error (SQE) signal of approximately 10-bit times is generated to indicate successful transmission. SQE is reported as a pulse on the COL signal of the MII.

The SQE test is inhibited when the PHY is set in full duplex mode. SQE can also be inhibited by setting the HEARTBEAT\_DIS bit in the 10BTSCR register.

#### **6.5.1.3.4 Carrier Sense**

Carrier Sense (CRS) may be asserted due to receive activity once valid data is detected through the squelch function.

For 10 Mb/s Half Duplex operation, CRS is asserted during either packet transmission or reception.

For 10 Mb/s Full Duplex operation, CRS is asserted only during receive activity.

CRS is deasserted following an end of packet.

#### **6.5.1.3.5 Normal Link Pulse Detection/Generation**

The link pulse generator produces pulses as defined in the IEEE 802.3 10BASE-T standard. Each link pulse is nominally 100 ns in duration and transmitted every 16 ms in the absence of transmit data.

Link pulses are used to check the integrity of the connection with the remote end. If valid link pulses are not received, the link detector disables the 10BASE-T twisted pair transmitter, receiver and collision detection functions.

When the link integrity function is disabled (FORCE\_LINK\_10 of the 10BTSCR register), a good link is forced and the 10BASE-T transceiver will operate regardless of the presence of link pulses.

#### **6.5.1.3.6 Jabber Function**

The jabber function monitors the DP83848VYB's output and disables the transmitter if it attempts to transmit a packet of longer than legal size. A jabber timer monitors the transmitter and disables the transmission if the transmitter is active for approximately 85 ms.

Once disabled by the Jabber function, the transmitter stays disabled for the entire time that the ENDEC module's internal transmit enable is asserted. This signal has to be deasserted for approximately 500 ms (the "unjab" time) before the Jabber function re-enables the transmit outputs.

The Jabber function is only relevant in 10BASE-T mode.

#### **6.5.1.3.7 Automatic Link Polarity Detection and Correction**

The DP83848VYB's 10BASE-T transceiver module incorporates an automatic link polarity detection circuit. When three consecutive inverted link pulses are received, bad polarity is reported.

A polarity reversal can be caused by a wiring error at either end of the cable, usually at the Main Distribution Frame (MDF) or patch panel in the wiring closet.

The bad polarity condition is latched in the 10BTSCR register. The DP83848VYB's 10BASE-T transceiver module corrects for this error internally and will continue to decode received data correctly. This eliminates the need to correct the wiring error immediately.

#### **6.5.1.3.8 Transmit and Receive Filtering**

External 10BASE-T filters are not required when using the DP83848VYB, as the required signal conditioning is integrated into the device.

Only isolation transformers and impedance matching resistors are required for the 10BASE-T transmit and receive interface. The internal transmit filtering ensures that all the harmonics in the transmit signal are attenuated by at least 30 dB.

### 6.5.1.3.9 Transmitter

The encoder begins operation when the Transmit Enable input (TX\_EN) goes high and converts NRZ data to pre-emphasized Manchester data for the transceiver. For the duration of TX\_EN, the serialized Transmit Data (TXD) is encoded for the transmit-driver pair (PMD Output Pair). TXD must be valid on the rising edge of Transmit Clock (TX\_CLK). Transmission ends when TX\_EN deasserts. The last transition is always positive; it occurs at the center of the bit cell if the last bit is a one, or at the end of the bit cell if the last bit is a zero.

### 6.5.1.3.10 Receiver

The decoder detects the end of a frame when no additional mid-bit transitions are detected. Within one and a half bit times after the last bit, carrier sense is deasserted. Receive clock stays active for five more bit times after CRS goes low, to specify the receive timings of the controller.

## 6.6 Memory

### 6.6.1 Register Block

**Table 6-7. Register Map**

| Offset                    |         | Access | Tag      | Description  |
|---------------------------|---------|--------|----------|--|
| Hex                       | Decimal |        |          |  |
| 00h                       | 0       | RW     | BMCR     | Basic Mode Control Register                                |
| 01h                       | 1       | RO     | BMSR     | Basic Mode Status Register                                 |
| 02h                       | 2       | RO     | PHYIDR1  | PHY Identifier Register #1                                 |
| 03h                       | 3       | RO     | PHYIDR2  | PHY Identifier Register #2                                 |
| 04h                       | 4       | RW     | ANAR     | Auto-Negotiation Advertisement Register                    |
| 05h                       | 5       | RW     | ANLPAR   | Auto-Negotiation Link Partner Ability Register (Base Page) |
| 05h                       | 5       | RW     | ANLPARNP | Auto-Negotiation Link Partner Ability Register (Next Page) |
| 06h                       | 6       | RW     | ANER     | Auto-Negotiation Expansion Register                        |
| 07h                       | 7       | RW     | ANNPTR   | Auto-Negotiation Next Page TX                              |
| 08h-Fh                    | 8-15    |        | RESERVED | RESERVED   |
| <b>Extended Registers</b> |         |        |          |  |
| 10h                       | 16      | RO     | PHYSTS   | PHY Status Register  |
| 11h                       | 17      | RW     | MICR     | MII Interrupt Control Register                             |
| 12h                       | 18      | RW     | MISR     | MII Interrupt Status Register                              |
| 13h                       | 19      | RW     | RESERVED | RESERVED   |
| 14h                       | 20      | RO     | FCSCR    | False Carrier Sense Counter Register                       |
| 15h                       | 21      | RO     | RECR     | Receive Error Counter Register                             |
| 16h                       | 22      | RW     | PCSR     | PCS Sub-Layer Configuration and Status Register            |
| 17h                       | 23      | RW     | RBR      | RMII and Bypass Register                                   |
| 18h                       | 24      | RW     | LEDCR    | LED Direct Control Register                                |
| 19h                       | 25      | RW     | PHYCR    | PHY Control Register                                       |
| 1Ah                       | 26      | RW     | 10BTSCR  | 10Base-T Status/Control Register                           |
| 1Bh                       | 27      | RW     | CDCTRL1  | CD Test Control Register and BIST Extensions Register      |
| 1Ch                       | 28      | RW     | RESERVED | RESERVED   |
| 1Dh                       | 29      | RW     | EDCR     | Energy Detect Control Register                             |
| 1Eh-1Fh                   | 30-31   | RW     | RESERVED | RESERVED   |



Table 6-8. Register Table

| Register Name  | Addr   | Tag      | Bit 15        | Bit 14         | Bit 13          | Bit 12          | Bit 11              | Bit 10        | Bit 9            | Bit 8        | Bit 7          | Bit 6                | Bit 5             | Bit 4              | Bit 3              | Bit 2              | Bit 1              | Bit 0               |
|--|--------|----------|---------------|----------------|-----------------|-----------------|---------------------|---------------|------------------|--------------|----------------|----------------------|-------------------|--------------------|--------------------|--------------------|--------------------|---------------------|
| Basic Mode Control Register                                | 00h    | BMCR     | Reset         | Loopback       | Speed Selection | Auto-Neg Enable | Power Down          | Isolate       | Restart Auto-Neg | Duplex Mode  | Collision Test | Reserved             | Reserved          | Reserved           | Reserved           | Reserved           | Reserved           | Reserved            |
| Basic Mode Status Register                                 | 01h    | BMSR     | 100Base-T4    | 100Base-TX FDX | 100Base-TX HDX  | 10Base-T FDX    | 10Base-T HDX        | Reserved      | Reserved         | Reserved     | Reserved       | MF Preamble Suppress | Auto-Neg Complete | Remote Fault       | Auto-Neg Ability   | Link Status        | Jabber Detect      | Extended Capability |
| PHY Identifier Register 1                                  | 02h    | PHYIDR1  | OUI MSB       | OUI MSB        | OUI MSB         | OUI MSB         | OUI MSB             | OUI MSB       | OUI MSB          | OUI MSB      | OUI MSB        | OUI MSB              | OUI MSB           | OUI MSB            | OUI MSB            | OUI MSB            | OUI MSB            | OUI MSB             |
| PHY Identifier Register 2                                  | 03h    | PHYIDR2  | OUI LSB       | OUI LSB        | OUI LSB         | OUI LSB         | OUI LSB             | OUI LSB       | VNDR_MDL         | VNDR_MDL     | VNDR_MDL       | VNDR_MDL             | VNDR_MDL          | VNDR_MDL           | VNDR_MDL           | MDL_REV            | MDL_REV            | MDL_REV             |
| Auto-Negotiation Advertisement Register                    | 04h    | ANAR     | Next Page Ind | Reserved       | Remote Fault    | Reserved        | ASM_DIR             | PAUSE         | T4               | TX_FD        | TX             | 10_FD                | 10                | Protocol Selection | Protocol Selection | Protocol Selection | Protocol Selection | Protocol Selection  |
| Auto-Negotiation Link Partner Ability Register (Base Page) | 05h    | ANLPAR   | Next Page Ind | ACK            | Remote Fault    | Reserved        | ASM_DIR             | PAUSE         | T4               | TX_FD        | TX             | 10_FD                | 10                | Protocol Selection | Protocol Selection | Protocol Selection | Protocol Selection | Protocol Selection  |
| Auto-Negotiation Link Partner Ability Register (Next Page) | 05h    | ANLPARNP | Next Page Ind | ACK            | Message Page    | ACK2            | Toggle              | Code          | Code             | Code         | Code           | Code                 | Code              | Code               | Code               | Code               | Code               | Code                |
| Auto-Negotiation Expansion Register                        | 06h    | ANER     | Reserved      | Reserved       | Reserved        | Reserved        | Reserved            | Reserved      | Reserved         | Reserved     | Reserved       | Reserved             | Reserved          | PDF                | LP_NP_ABLE         | NP_ABLE            | PAGE_RX            | LP_AN_ABLE          |
| Auto-Negotiation Next Page TX Register                     | 07h    | ANNPTR   | Next Page Ind | Reserved       | Message Page    | ACK2            | TOG_TX              | CODE          | CODE             | CODE         | CODE           | CODE                 | CODE              | CODE               | CODE               | CODE               | CODE               | CODE                |
| RESERVED   | 08-0fh | Reserved | Reserved      | Reserved       | Reserved        | Reserved        | Reserved            | Reserved      | Reserved         | Reserved     | Reserved       | Reserved             | Reserved          | Reserved           | Reserved           | Reserved           | Reserved           | Reserved            |
| <b>EXTENDED REGISTERS</b>                                  |        |          |               |                |                 |                 |                     |               |                  |              |                |                      |                   |                    |                    |                    |                    |                     |
| PHY Status Register  | 10h    | PHYSTS   | Reserved      | MDIX mode      | Rx Err Latch    | Polarity Status | False Carrier Sense | Signal Detect | Descrambler Lock | Page Receive | MII Interrupt  | Remote Fault         | Jabber Detect     | Auto-Neg Complete  | Loopback Status    | Duplex Status      | Speed Status       | Link Status         |
| MII Interrupt Control Register                             | 11h    | MICR     | Reserved      | Reserved       | Reserved        | Reserved        | Reserved            | Reserved      | Reserved         | Reserved     | Reserved       | Reserved             | Reserved          | Reserved           | Reserved           | TINT               | INTEN              | INT_OE              |
| MII Interrupt Status and Misc. Control Register            | 12h    | MISR     | Reserved      | ED_INT         | LINK_INT        | SPD_INT         | DUP_INT             | ANC_INT       | FHF_INT          | RHF_INT      | Reserved       | ED_INT_EN            | LINK_INT_EN       | SPED_INT_EN        | DUP_INT_EN         | ANC_INT_EN         | FHF_INT_EN         | RHF_INT_EN          |
| RESERVED   | 13h    | Reserved | Reserved      | Reserved       | Reserved        | Reserved        | Reserved            | Reserved      | Reserved         | Reserved     | Reserved       | Reserved             | Reserved          | Reserved           | Reserved           | Reserved           | Reserved           | Reserved            |
| False Carrier Sense Counter Register                       | 14h    | FCSCR    | Reserved      | Reserved       | Reserved        | Reserved        | Reserved            | Reserved      | Reserved         | Reserved     | FCSCNT         | FCSCNT               | FCSCNT            | FCSCNT             | FCSCNT             | FCSCNT             | FCSCNT             | FCSCNT              |
| Receive Error Counter Register                             | 15h    | RECR     | Reserved      | Reserved       | Reserved        | Reserved        | Reserved            | Reserved      | Reserved         | Reserved     | RXERCNT        | RXERCNT              | RXERCNT           | RXERCNT            | RXERCNT            | RXERCNT            | RXERCNT            | RXERCNT             |
| PCS Sub-Layer Configuration and Status Register            | 16h    | PCSR     | Reserved      | Reserved       | Reserved        | Reserved        | FREE_CLK            | TQ_EN         | SD_FORCE_PMA     | SD_OPTION    | DESC_TIME      | Reserved             | FORCE_100_OK      | Reserved           | Reserved           | NRZI_BYPASS        | SCRAM_BYPASS       | DESCRAM_BYPASS      |
| RMI and Bypass Register                                    | 17h    | RBR      | SIM_WRITE     | Reserved       | DIS_TX_OPT      | RX_PORT         | RX_PORT             | TX_SOURCE     | TX_SOURCE        | PMD_LOOP     | SCMII_RX       | SCMII_TX             | RMII_MODE         | RMII_REV_1_0       | RX_OVF_STS         | RX_UNF_STS         | ELAST_BUF          | ELAST_BUF           |
| LED Direct Control Register                                | 18h    | LEDCR    | Reserved      | Reserved       | Reserved        | Reserved        | Reserved            | Reserved      | Reserved         | LEDACT_RX    | BLINK_FREQ     | BLINK_FREQ           | DRV_SPLED         | DRV_LNKLED         | DRV_ACTLED         | SPLED              | LNKLED             | ACTLED              |

**Table 6-8. Register Table (continued)**

| Register Name                                | Addr    | Tag             | Bit 15                   | Bit 14                   | Bit 13                   | Bit 12                   | Bit 11                   | Bit 10                   | Bit 9                    | Bit 8                    | Bit 7            | Bit 6             | Bit 5             | Bit 4            | Bit 3             | Bit 2              | Bit 1             | Bit 0             |
|--|---------|-----------------|--------------------------|--------------------------|--------------------------|--------------------------|--------------------------|--------------------------|--------------------------|--------------------------|------------------|-------------------|-------------------|------------------|-------------------|--------------------|-------------------|-------------------|
| PHY Control Register                         | 19h     | PHYCR           | MDIX_EN                  | FORCE_M<br>DIX           | PAUSE_R<br>X             | PAUSE_TX                 | BIST_FE                  | PSR_15                   | BIST_<br>STATUS          | BIST_STA<br>RT           | BP_STRET<br>CH   | LED_<br>CNFG[1]   | LED_<br>CNFG[0]   | PHY<br>ADDR      | PHY<br>ADDR       | PHY<br>ADDR        | PHY<br>ADDR       | PHY<br>ADDR       |
| 10Base-T Status/Control Register             | 1Ah     | 10BT_SER<br>IAL | Reserved                 | Reserved                 | Reserved                 | Reserved                 | SQUELCH                  | SQUELCH                  | SQUELCH                  | LOOPBAC<br>K_10_DIS      | LP_DIS           | FORCE_<br>LINK_10 | Reserved          | POLARITY         | Reserved          | Reserved           | HEARTBEAT<br>_DIS | JABBER_D<br>IS    |
| CD Test Control and BIST Extensions Register | 1Bh     | CDCTRL1         | BIST_ERR<br>OR_COUN<br>T | BIST_ERR<br>OR_COUN<br>T | BIST_ERR<br>OR_COUN<br>T | BIST_ERR<br>OR_COUN<br>T | BIST_ERR<br>OR_COUN<br>T | BIST_ERR<br>OR_COUN<br>T | BIST_ERR<br>OR_COUN<br>T | BIST_ERR<br>OR_COUN<br>T | Reserved         | Reserved          | BIST_CONT<br>MODE | CDPattEN_<br>10  | Reserved          | 10Meg_Pat<br>t_Gap | CDPattSel         | CDPattSel         |
| RESERVED                                     | 1Ch     | Reserved        | Reserved                 | Reserved                 | Reserved                 | Reserved                 | Reserved                 | Reserved                 | Reserved                 | Reserved                 | Reserved         | Reserved          | Reserved          | Reserved         | Reserved          | Reserved           | Reserved          | Reserved          |
| Energy Detect Control Register               | 1Dh     | EDCR            | ED_EN                    | ED_AUTO<br>_UP           | ED_AUTO<br>_DOWN         | ED_MAN                   | ED_BURS<br>T_DIS         | ED_PWR_<br>STATE         | ED_ERR_<br>MET           | ED_DATA_<br>MET          | ED_ERR_<br>COUNT | ED_ERR_<br>COUNT  | ED_ERR_CO<br>UNT  | ED_ERR_<br>COUNT | ED_DATA_C<br>OUNT | ED_DATA_<br>COUNT  | ED_DATA_C<br>OUNT | ED_DATA_<br>COUNT |
| RESERVED                                     | 1Eh-1Fh | Reserved        | Reserved                 | Reserved                 | Reserved                 | Reserved                 | Reserved                 | Reserved                 | Reserved                 | Reserved                 | Reserved         | Reserved          | Reserved          | Reserved         | Reserved          | Reserved           | Reserved          | Reserved          |

### 6.6.1.1 Register Definition

In the register definitions under the 'Default' heading, the following definitions hold true:

- **RW** = Read Write access
- **SC** = Register sets on event occurrence and **Self-Clears** when event ends
- **RW/SC** = ReadWrite access/**Self Clearing** bit
- **RO** = Read Only access
- **COR** = Clear On Read
- **RO/COR** = Read Only, Clear On Read
- **RO/P** = Read Only, Permanently set to a default value
- **LL** = Latched Low and held until read, based upon the occurrence of the corresponding event
- **LH** = Latched High and held until read, based upon the occurrence of the corresponding event

#### 6.6.1.1.1 Basic Mode Control Register (BMCR)

**Table 6-9. Basic Mode Control Register (BMCR), address 0x00h**

| Bit | Bit Name                 | Default   | Description  |
|-----|--------------------------|-----------|--|
| 15  | RESET                    | 0, RW/SC  | <b>Reset:</b><br>1 = Initiate software Reset / Reset in Process.<br>0 = Normal operation.<br>This bit, which is self-clearing, returns a value of one until the reset process is complete. The configuration is re-strapped.   |
| 14  | LOOPBACK                 | 0, RW     | <b>Loopback:</b><br>1 = Loopback enabled.<br>0 = Normal operation.<br>The loopback function enables MII transmit data to be routed to the MII receive data path. Setting this bit may cause the descrambler to lose synchronization and produce a 500 µs "dead time" before any valid data will appear at the MII receive outputs.   |
| 13  | SPEED SELECTION          | Strap, RW | <b>Speed Select:</b><br>When auto-negotiation is disabled writing to this bit allows the port speed to be selected.<br>1 = 100 Mb/s.<br>0 = 10 Mb/s.   |
| 12  | AUTO-NEGOTIATION ENABLE  | Strap, RW | <b>Auto-Negotiation Enable:</b><br>Strap controls initial value at reset.<br>1 = Auto-Negotiation Enabled - bits 8 and 13 of this register are ignored when this bit is set.<br>0 = Auto-Negotiation Disabled - bits 8 and 13 determine the port speed and duplex mode.  |
| 11  | POWER DOWN               | 0, RW     | <b>Power Down:</b><br>1 = Power down.<br>0 = Normal operation.<br>Setting this bit powers down the PHY. Only the register block is enabled during a power-down condition. This bit is OR'd with the input from the PWRDOWN_INT pin. When the active low PWRDOWN_INT pin is asserted, this bit will be set.   |
| 10  | ISOLATE                  | 0, RW     | <b>Isolate:</b><br>1 = Isolates the Port from the MII with the exception of the serial management.<br>0 = Normal operation.  |
| 9   | RESTART AUTO-NEGOTIATION | 0, RW/SC  | <b>Restart Auto-Negotiation:</b><br>1 = Restart Auto-Negotiation. Re-initiates the Auto-Negotiation process. If Auto-Negotiation is disabled (bit 12 = 0), this bit is ignored. This bit is self-clearing and will return a value of 1 until Auto-Negotiation is initiated, whereupon it will self-clear. Operation of the Auto-Negotiation process is not affected by the management entity clearing this bit.<br>0 = Normal operation. |

**Table 6-9. Basic Mode Control Register (BMCR), address 0x00h (continued)**

| Bit | Bit Name       | Default   | Description   |
|-----|----------------|-----------|---|
| 8   | DUPLEX MODE    | Strap, RW | <b>Duplex Mode:</b><br>When auto-negotiation is disabled writing to this bit allows the port Duplex capability to be selected.<br>1 = Full Duplex operation.<br>0 = Half Duplex operation.  |
| 7   | COLLISION TEST | 0, RW     | <b>Collision Test:</b><br>1 = Collision test enabled.<br>0 = Normal operation.<br>When set, this bit will cause the COL signal to be asserted in response to the assertion of TX_EN within 512-bit times. The COL signal will be deasserted within 4-bit times in response to the deassertion of TX_EN. |
| 6:0 | RESERVED       | 0, RO     | <b>RESERVED:</b> Write ignored, read as 0.  |

**6.6.1.1.2 Basic Mode Status Register (BMSR)**

**Table 6-10. Basic Mode Status Register (BMSR), address 0x01h**

| Bit  | Bit Name                     | Default  | Description  |
|------|------------------------------|----------|--|
| 15   | 100BASE-T4                   | 0, RO/P  | <b>100BASE-T4 Capable:</b><br>0 = Device not able to perform 100BASE-T4 mode.  |
| 14   | 100BASE-TX<br>FULL DUPLEX    | 1, RO/P  | <b>100BASE-TX Full Duplex Capable:</b><br>1 = Device able to perform 100BASE-TX in full duplex mode.   |
| 13   | 100BASE-TX<br>HALF DUPLEX    | 1, RO/P  | <b>100BASE-TX Half Duplex Capable:</b><br>1 = Device able to perform 100BASE-TX in half duplex mode.   |
| 12   | 10BASE-T<br>FULL DUPLEX      | 1, RO/P  | <b>10BASE-T Full Duplex Capable:</b><br>1 = Device able to perform 10BASE-T in full duplex mode.   |
| 11   | 10BASE-T<br>HALF DUPLEX      | 1, RO/P  | <b>10BASE-T Half Duplex Capable:</b><br>1 = Device able to perform 10BASE-T in half duplex mode.   |
| 10:7 | RESERVED                     | 0, RO    | <b>RESERVED:</b> Write as 0, read as 0.  |
| 6    | MF PREAMBLE<br>SUPPRESSION   | 1, RO/P  | <b>Preamble suppression Capable:</b><br>1 = Device able to perform management transaction with preamble suppressed, 32-bits of preamble needed only once after reset, invalid opcode or invalid turnaround.<br>0 = Normal management operation.  |
| 5    | AUTO-NEGOTIATION<br>COMPLETE | 0, RO    | <b>Auto-Negotiation Complete:</b><br>1 = Auto-Negotiation process complete.<br>0 = Auto-Negotiation process not complete.  |
| 4    | REMOTE FAULT                 | 0, RO/LH | <b>Remote Fault:</b><br>1 = Remote Fault condition detected (cleared on read or by reset). Fault criteria: NOTIFICATION from Link Partner of Remote Fault.<br>0 = No remote fault condition detected.  |
| 3    | AUTO-NEGOTIATION<br>ABILITY  | 1, RO/P  | <b>Auto Negotiation Ability:</b><br>1 = Device is able to perform Auto-Negotiation.<br>0 = Device is not able to perform Auto-Negotiation.   |
| 2    | LINK STATUS                  | 0, RO/LL | <b>Link Status:</b><br>1 = Valid link established (for either 10 or 100 Mb/s operation).<br>0 = Link not established.<br>The criteria for link validity is implementation specific. The occurrence of a link failure condition will causes the Link Status bit to clear. Once cleared, this bit may only be set by establishing a good link condition and a read through the management interface. |

**Table 6-10. Basic Mode Status Register (BMSR), address 0x01h (continued)**

| Bit | Bit Name            | Default  | Description   |
|-----|---------------------|----------|---|
| 1   | JABBER DETECT       | 0, RO/LH | <b>Jabber Detect:</b> This bit only has meaning in 10 Mb/s mode.<br>1 = Jabber condition detected.<br>0 = No Jabber.<br>This bit is implemented with a latching function, such that the occurrence of a jabber condition causes it to set until it is cleared by a read to this register by the management interface or by a reset. |
| 0   | EXTENDED CAPABILITY | 1, RO/P  | <b>Extended Capability:</b><br>1 = Extended register capabilities.<br>0 = Basic register set capabilities only.   |

The PHY Identifier Registers #1 and #2 together form a unique identifier for the DP83848VYB. The Identifier consists of a concatenation of the Organizationally Unique Identifier (OUI), the vendor's model number and the model revision number. A PHY may return a value of zero in each of the 32 bits of the PHY Identifier if desired. The PHY Identifier is intended to support network management. TI's IEEE assigned OUI is 080017h.

#### 6.6.1.1.3 PHY Identifier Register #1 (PHYIDR1)

**Table 6-11. PHY Identifier Register #1 (PHYIDR1), address 0x02h**

| Bit  | Bit Name | Default                     | Description  |
|------|----------|-----------------------------|--|
| 15:0 | OUI_MSB  | <0010 0000 0000 0000>, RO/P | <b>OUI Most Significant Bits:</b> Bits 3 to 18 of the OUI (080017h) are stored in bits 15 to 0 of this register. The most significant two bits of the OUI are ignored (the IEEE standard refers to these as bits 1 and 2). |

#### 6.6.1.1.4 PHY Identifier Register #2 (PHYIDR2)

**Table 6-12. PHY Identifier Register #2 (PHYIDR2), address 0x03h**

| Bit   | Bit Name | Default         | Description  |
|-------|----------|-----------------|--|
| 15:10 | OUI_LSB  | <0101 11>, RO/P | <b>OUI Least Significant Bits:</b><br>Bits 19 to 24 of the OUI (080017h) are mapped from bits 15 to 10 of this register respectively.  |
| 9:4   | VNDR_MDL | <00 1010>, RO/P | <b>Vendor Model Number:</b><br>The six bits of vendor model number are mapped from bits 9 to 4 (most significant bit to bit 9).  |
| 3:0   | MDL_REV  | <0010>, RO/P    | <b>Model Revision Number:</b><br>Four bits of the vendor model revision number are mapped from bits 3 to 0 (most significant bit to bit 3). This field will be incremented for all major device changes. |

#### 6.6.1.1.5 Auto-Negotiation Advertisement Register (ANAR)

This register contains the advertised abilities of this device as they will be transmitted to its link partner during Auto-Negotiation.

**Table 6-13. Negotiation Advertisement Register (ANAR), address 0x04h**

| Bit | Bit Name | Default | Description  |
|-----|----------|---------|--|
| 15  | NP       | 0, RW   | <b>Next Page Indication:</b><br>0 = Next Page Transfer not desired.<br>1 = Next Page Transfer desired. |
| 14  | RESERVED | 0, RO/P | <b>RESERVED by IEEE:</b> Writes ignored, Read as 0.  |

**Table 6-13. Negotiation Advertisement Register (ANAR), address 0x04h (continued)**

| Bit | Bit Name | Default   | Description  |
|-----|----------|-----------|--|
| 13  | RF       | 0, RW     | <b>Remote Fault:</b><br>1 = Advertises that this device has detected a Remote Fault.<br>0 = No Remote Fault detected.  |
| 12  | RESERVED | 0, RW     | <b>RESERVED for Future IEEE use:</b> Write as 0, Read as 0   |
| 11  | ASM_DIR  | 0, RW     | <b>Asymmetric PAUSE Support for Full Duplex Links:</b><br>The ASM_DIR bit indicates that asymmetric PAUSE is supported.<br>Encoding and resolution of PAUSE bits is defined in IEEE 802.3 Annex 28B, Tables 28B-2 and 28B-3, respectively. Pause resolution status is reported in PHYCR[13:12].<br>1 = Advertise that the DTE (MAC) has implemented both the optional MAC control sublayer and the pause function as specified in clause 31 and annex 31B of 802.3.<br>0= No MAC based full duplex flow control.   |
| 10  | PAUSE    | 0, RW     | <b>PAUSE Support for Full Duplex Links:</b><br>The PAUSE bit indicates that the device is capable of providing the symmetric PAUSE functions as defined in Annex 31B.<br>Encoding and resolution of PAUSE bits is defined in IEEE 802.3 Annex 28B, Tables 28B-2 and 28B-3, respectively. Pause resolution status is reported in PHYCR[13:12].<br>1 = Advertise that the DTE (MAC) has implemented both the optional MAC control sublayer and the pause function as specified in clause 31 and annex 31B of 802.3.<br>0= No MAC based full duplex flow control. |
| 9   | T4       | 0, RO/P   | <b>100BASE-T4 Support:</b><br>1= 100BASE-T4 is supported by the local device.<br>0 = 100BASE-T4 not supported.   |
| 8   | TX_FD    | Strap, RW | <b>100BASE-TX Full Duplex Support:</b><br>1 = 100BASE-TX Full Duplex is supported by the local device.<br>0 = 100BASE-TX Full Duplex not supported.  |
| 7   | TX       | Strap, RW | <b>100BASE-TX Support:</b><br>1 = 100BASE-TX is supported by the local device.<br>0 = 100BASE-TX not supported.  |
| 6   | 10_FD    | Strap, RW | <b>10BASE-T Full Duplex Support:</b><br>1 = 10BASE-T Full Duplex is supported by the local device.<br>0 = 10BASE-T Full Duplex not supported.  |
| 5   | 10       | Strap, RW | <b>10BASE-T Support:</b><br>1 = 10BASE-T is supported by the local device.<br>0 = 10BASE-T not supported.  |

**Table 6-13. Negotiation Advertisement Register (ANAR), address 0x04h (continued)**

| Bit | Bit Name | Default     | Description  |
|-----|----------|-------------|--|
| 4:0 | SELECTOR | <00001>, RW | <b>Protocol Selection Bits:</b><br>These bits contain the binary encoded protocol selector supported by this port. <00001> indicates that this device supports IEEE 802.3. |

#### 6.6.1.1.6 Auto-Negotiation Link Partner Ability Register (ANLPAR) (BASE Page)

This register contains the advertised abilities of the Link Partner as received during Auto-Negotiation. The content changes after the successful auto-negotiation if Next-pages are supported.

**Table 6-14. Auto-Negotiation Link Partner Ability Register (ANLPAR) (BASE Page), address 0x05h**

| Bit | Bit Name | Default      | Description   |
|-----|----------|--------------|---|
| 15  | NP       | 0, RO        | <b>Next Page Indication:</b><br>0 = Link Partner does not desire Next Page Transfer.<br>1 = Link Partner desires Next Page Transfer.  |
| 14  | ACK      | 0, RO        | <b>Acknowledge:</b><br>1 = Link Partner acknowledges reception of the ability data word.<br>0 = Not acknowledged.<br>The Auto-Negotiation state machine will automatically control the this bit based on the incoming FLP bursts. |
| 13  | RF       | 0, RO        | <b>Remote Fault:</b><br>1 = Remote Fault indicated by Link Partner.<br>0 = No Remote Fault indicated by Link Partner.   |
| 12  | RESERVED | 0, RO        | <b>RESERVED for Future IEEE use:</b><br>Write as 0, read as 0.  |
| 11  | ASM_DIR  | 0, RO        | <b>ASYMMETRIC PAUSE:</b><br>1 = Asymmetric pause is supported by the Link Partner.<br>0 = Asymmetric pause is not supported by the Link Partner.  |
| 10  | PAUSE    | 0, RO        | <b>PAUSE:</b><br>1 = Pause function is supported by the Link Partner.<br>0 = Pause function is not supported by the Link Partner.   |
| 9   | T4       | 0, RO        | <b>100BASE-T4 Support:</b><br>1 = 100BASE-T4 is supported by the Link Partner.<br>0 = 100BASE-T4 not supported by the Link Partner.   |
| 8   | TX_FD    | 0, RO        | <b>100BASE-TX Full Duplex Support:</b><br>1 = 100BASE-TX Full Duplex is supported by the Link Partner.<br>0 = 100BASE-TX Full Duplex not supported by the Link Partner.   |
| 7   | TX       | 0, RO        | <b>100BASE-TX Support:</b><br>1 = 100BASE-TX is supported by the Link Partner.<br>0 = 100BASE-TX not supported by the Link Partner.   |
| 6   | 10_FD    | 0, RO        | <b>10BASE-T Full Duplex Support:</b><br>1 = 10BASE-T Full Duplex is supported by the Link Partner.<br>0 = 10BASE-T Full Duplex not supported by the Link Partner.   |
| 5   | 10       | 0, RO        | <b>10BASE-T Support:</b><br>1 = 10BASE-T is supported by the Link Partner.<br>0 = 10BASE-T not supported by the Link Partner.   |
| 4:0 | SELECTOR | <0 0000>, RO | <b>Protocol Selection Bits:</b><br>Link Partners binary encoded protocol selector.  |

**6.6.1.1.7 Auto-Negotiation Link Partner Ability Register (ANLPAR) (Next Page)**

**Table 6-15. Auto-Negotiation Link Partner Ability Register (ANLPAR) (Next Page), address 0x05h**

| Bit  | Bit Name | Default             | Description  |
|------|----------|---------------------|--|
| 15   | NP       | 0, RO               | <b>Next Page Indication:</b><br>1 = Link Partner desires Next Page Transfer.<br>0 = Link Partner does not desire Next Page Transfer.   |
| 14   | ACK      | 0, RO               | <b>Acknowledge:</b><br>1 = Link Partner acknowledges reception of the ability data word.<br>0 = Not acknowledged.<br>The Auto-Negotiation state machine will automatically control the this bit based on the incoming FLP bursts. Software should not attempt to write to this bit.  |
| 13   | MP       | 0, RO               | <b>Message Page:</b><br>1 = Message Page.<br>0 = Unformatted Page.   |
| 12   | ACK2     | 0, RO               | <b>Acknowledge 2:</b><br>1 = Link Partner does have the ability to comply to next page message.<br>0 = Link Partner does not have the ability to comply to next page message.  |
| 11   | TOGGLE   | 0, RO               | <b>Toggle:</b><br>1 = Previous value of the transmitted Link Code word equaled 0.<br>0 = Previous value of the transmitted Link Code word equaled 1.   |
| 10:0 | CODE     | <000 0000 0000>, RO | <b>Code:</b><br>This field represents the code field of the next page transmission. If the MP bit is set (bit 13 of this register), then the code shall be interpreted as a Message Page, as defined in annex 28C of Clause 28. Otherwise, the code shall be interpreted as an Unformatted Page, and the interpretation is application specific. |



### 6.6.1.1.8 Auto-Negotiate Expansion Register (ANER)

This register contains additional Local Device and Link Partner status information.

**Table 6-16. Auto-Negotiate Expansion Register (ANER), address 0x06h**

| Bit  | Bit Name   | Default   | Description  |
|------|------------|-----------|--|
| 15:5 | RESERVED   | 0, RO     | <b>RESERVED:</b> Writes ignored, Read as 0.  |
| 4    | PDF        | 0, RO     | <b>Parallel Detection Fault:</b><br>1 = A fault has been detected through the Parallel Detection function.<br>0 = A fault has not been detected.                                       |
| 3    | LP_NP_ABLE | 0, RO     | <b>Link Partner Next Page Able:</b><br>1 = Link Partner does support Next Page.<br>0 = Link Partner does not support Next Page.  |
| 2    | NP_ABLE    | 1, RO/P   | <b>Next Page Able:</b><br>1 = Indicates local device is able to send additional Next Pages.  |
| 1    | PAGE_RX    | 0, RO/COR | <b>Link Code Word Page Received:</b><br>1 = Link Code Word has been received, cleared on a read.<br>0 = Link Code Word has not been received.  |
| 0    | LP_AN_ABLE | 0, RO     | <b>Link Partner Auto-Negotiation Able:</b><br>1 = indicates that the Link Partner supports Auto-Negotiation.<br>0 = indicates that the Link Partner does not support Auto-Negotiation. |

### 6.6.1.1.9 Auto-Negotiation Next Page Transmit Register (ANNPTR)

This register contains the next page information sent by this device to its Link Partner during Auto-Negotiation.

**Table 6-17. Auto-Negotiation Next Page Transmit Register (ANNPTR), address 0x07h**

| Bit | Bit Name | Default | Description   |
|-----|----------|---------|---|
| 15  | NP       | 0, RW   | <b>Next Page Indication:</b><br>0 = No other Next Page Transfer desired.<br>1 = Another Next Page desired.  |
| 14  | RESERVED | 0, RO   | <b>RESERVED:</b> Writes ignored, read as 0.   |
| 13  | MP       | 1, RW   | <b>Message Page:</b><br>1 = Message Page.<br>0 = Unformatted Page.  |
| 12  | ACK2     | 0, RW   | <b>Acknowledge2:</b><br>1 = Will comply with message.<br>0 = Cannot comply with message.<br>Acknowledge2 is used by the next page function to indicate that Local Device has the ability to comply with the message received.   |
| 11  | TOG_TX   | 0, RO   | <b>Toggle:</b><br>1 = Value of toggle bit in previously transmitted Link Code Word was 0.<br>0 = Value of toggle bit in previously transmitted Link Code Word was 1.<br>Toggle is used by the Arbitration function within Auto-Negotiation to ensure synchronization with the Link Partner during Next Page exchange. This bit shall always take the opposite value of the Toggle bit in the previously exchanged Link Code Word. |

**Table 6-17. Auto-Negotiation Next Page Transmit Register (ANNPTR), address 0x07h (continued)**

| Bit  | Bit Name | Default             | Description   |
|------|----------|---------------------|---|
| 10:0 | CODE     | <000 0000 0001>, RW | <p><b>Code:</b></p> <p>This field represents the code field of the next page transmission. If the MP bit is set (bit 13 of this register), then the code shall be interpreted as a "Message Page", as defined in annex 28C of IEEE 802.3. Otherwise, the code shall be interpreted as an "Unformatted Page", and the interpretation is application specific.</p> <p>The default value of the CODE represents a Null Page as defined in Annex 28C of IEEE 802.3.</p> |

### 6.6.1.2 Extended Registers

#### 6.6.1.2.1 PHY Status Register (PHYSTS)

This register provides a single location within the register set for quick access to commonly accessed information.

**Table 6-18. PHY Status Register (PHYSTS), address 10h**

| Bit | Bit Name                  | Default  | Description  |
|-----|---------------------------|----------|--|
| 15  | RESERVED                  | 0, RO    | <b>RESERVED:</b> Write ignored, read as 0.   |
| 14  | MDIX MODE                 | 0, RO    | <p><b>MDIX mode as reported by the Auto-Negotiation logic:</b></p> <p>This bit will be affected by the settings of the MDIX_EN and FORCE_MDIX bits in the PHYCR register. When MDIX is enabled, but not forced, this bit will update dynamically as the Auto-MDIX algorithm swaps between MDI and MDIX configurations.</p> <p>1 = MDI pairs swapped<br/>                     (Receive on TPTD pair, Transmit on TPRD pair)</p> <p>0 = MDI pairs normal<br/>                     (Receive on TRD pair, Transmit on TPTD pair)</p> |
| 13  | RECEIVE ERROR LATCH       | 0, RO/LH | <p><b>Receive Error Latch:</b></p> <p>This bit will be cleared upon a read of the RECR register.</p> <p>1 = Receive error event has occurred since last read of RXERCNT (address 15h, Page 0).</p> <p>0 = No receive error event has occurred.</p>   |
| 12  | POLARITY STATUS           | 0, RO    | <p><b>Polarity Status:</b></p> <p>This bit is a duplication of bit 4 in the 10BTSCR register. This bit will be cleared upon a read of the 10BTSCR register, but not upon a read of the PHYSTS register.</p> <p>1 = Inverted Polarity detected.</p> <p>0 = Correct Polarity detected.</p>   |
| 11  | FALSE CARRIER SENSE LATCH | 0, RO/LH | <p><b>False Carrier Sense Latch:</b></p> <p>This bit will be cleared upon a read of the FCSR register.</p> <p>1 = False Carrier event has occurred since last read of FCSCR (address 14h).</p> <p>0 = No False Carrier event has occurred.</p>   |
| 10  | SIGNAL DETECT             | 0, RO/LL | <p><b>100Base-TX qualified Signal Detect from PMA:</b></p> <p>This is the SD that goes into the link monitor. It is the AND of raw SD and descrambler lock, when address 16h, bit 8 (page 0) is set. When this bit is cleared, it will be equivalent to the raw SD from the PMD.</p>   |
| 9   | DESCRAMBLER LOCK          | 0, RO/LL | 100Base-TX Descrambler Lock from PMD.  |

**Table 6-18. PHY Status Register (PHYSTS), address 10h (continued)**

| Bit | Bit Name          | Default | Description   |
|-----|-------------------|---------|---|
| 8   | PAGE RECEIVED     | 0, RO   | <b>Link Code Word Page Received:</b><br>This is a duplicate of the Page Received bit in the ANER register, but this bit will not be cleared upon a read of the PHYSTS register.<br>1 = A new Link Code Word Page has been received. Cleared on read of the ANER (address 06h, bit 1).<br>0 = Link Code Word Page has not been received. |
| 7   | MII INTERRUPT     | 0, RO   | <b>MII Interrupt Pending:</b><br>1 = Indicates that an internal interrupt is pending. Interrupt source can be determined by reading the MISR Register (12h). Reading the MISR will clear the Interrupt.<br>0 = No interrupt pending.  |
| 6   | REMOTE FAULT      | 0, RO   | <b>Remote Fault:</b><br>1 = Remote Fault condition detected (cleared on read of BMSR (address 01h) register or by reset). Fault criteria: notification from Link Partner of Remote Fault through Auto-Negotiation.<br>0 = No remote fault condition detected.   |
| 5   | JABBER DETECT     | 0, RO   | <b>Jabber Detect:</b> This bit only has meaning in 10 Mb/s mode.<br>This bit is a duplicate of the Jabber Detect bit in the BMSR register, except that it is not cleared upon a read of the PHYSTS register.<br>1 = Jabber condition detected.<br>0 = No Jabber.  |
| 4   | AUTO-NEG COMPLETE | 0, RO   | <b>Auto-Negotiation Complete:</b><br>1 = Auto-Negotiation complete.<br>0 = Auto-Negotiation not complete.   |
| 3   | LOOPBACK STATUS   | 0, RO   | <b>Loopback:</b><br>1 = Loopback enabled.<br>0 = Normal operation.  |
| 2   | DUPLEX STATUS     | 0, RO   | <b>Duplex:</b><br>This bit indicates duplex status and is determined from Auto-Negotiation or Forced Modes.<br>1 = Full duplex mode.<br>0 = Half duplex mode. <sup>(1)</sup>  |
| 1   | SPEED STATUS      | 0, RO   | <b>Speed10:</b><br>This bit indicates the status of the speed and is determined from Auto-Negotiation or Forced Modes.<br>1 = 10 Mb/s mode.<br>0 = 100 Mb/s mode. <sup>(1)</sup>  |
| 0   | LINK STATUS       | 0, RO   | <b>Link Status:</b><br>This bit is a duplicate of the Link Status bit in the BMSR register, except that it will not be cleared upon a read of the PHYSTS register.<br>1 = Valid link established (for either 10 or 100 Mb/s operation).<br>0 = Link not established.  |

(1) Note: This bit is only valid if Auto-Negotiation is enabled and complete and there is a valid link or if Auto-Negotiation is disabled and there is a valid link.

### 6.6.1.2.2 MII Interrupt Control Register (MICR)

This register implements the MII Interrupt PHY Specific Control register. Sources for interrupt generation include: Energy Detect State Change, Link State Change, Speed Status Change, Duplex Status Change, Auto-Negotiation Complete or any of the counters becoming half-full. The individual interrupt events must be enabled by setting bits in the MII Interrupt Status and Event Control Register (MISR).

**Table 6-19. MII Interrupt Control Register (MICR), address 0x11h**

| Bit  | Bit Name | Default | Description  |
|------|----------|---------|--|
| 15:3 | RESERVED | 0, RO   | <b>RESERVED:</b> Writes ignored, read as 0.  |
| 2    | TINT     | 0, RW   | <b>Test Interrupt:</b><br>Forces the PHY to generate an interrupt to facilitate interrupt testing. Interrupts will continue to be generated as long as this bit remains set.<br>1 = Generate an interrupt.<br>0 = Do not generate interrupt. |
| 1    | INTEN    | 0, RW   | <b>Interrupt Enable:</b><br>Enable interrupt dependent on the event enables in the MISR register.<br>1 = Enable event based interrupts.<br>0 = Disable event based interrupts.   |
| 0    | INT_OE   | 0, RW   | <b>Interrupt Output Enable:</b><br>Enable interrupt events to signal through the PWRDOWN_INT pin by configuring the PWRDOWN_INT pin as an output.<br>1 = PWRDOWN_INT is an Interrupt Output.<br>0 = PWRDOWN_INT is a Power Down Input.       |

### 6.6.1.2.3 MII Interrupt Status and Misc. Control Register (MISR)

This register contains event status and enables for the interrupt function. If an event has occurred since the last read of this register, the corresponding status bit will be set. If the corresponding enable bit in the register is set, an interrupt will be generated if the event occurs. The MICR register controls must also be set to allow interrupts. The status indications in this register will be set even if the interrupt is not enabled.

**Table 6-20. MII Interrupt Status and Misc. Control Register (MISR), address 0x12h**

| Bit | Bit Name | Default   | Description  |
|-----|----------|-----------|--|
| 15  | Reserved | 0, RO/COR | <b>Link Quality interrupt:</b><br>1 = Link Quality interrupt is pending and is cleared by the current read.<br>0 = No Link Quality interrupt pending.                            |
| 14  | ED_INT   | 0, RO/COR | <b>Energy Detect interrupt:</b><br>1 = Energy detect interrupt is pending and is cleared by the current read.<br>0 = No energy detect interrupt pending.                         |
| 13  | LINK_INT | 0, RO/COR | <b>Change of Link Status interrupt:</b><br>1 = Change of link status interrupt is pending and is cleared by the current read.<br>0 = No change of link status interrupt pending. |
| 12  | SPD_INT  | 0, RO/COR | <b>Change of speed status interrupt:</b><br>1 = Speed status change interrupt is pending and is cleared by the current read.<br>0 = No speed status change interrupt pending.    |
| 11  | DUP_INT  | 0, RO/COR | <b>Change of duplex status interrupt:</b><br>1 = Duplex status change interrupt is pending and is cleared by the current read.<br>0 = No duplex status change interrupt pending. |

**Table 6-20. MII Interrupt Status and Misc. Control Register (MISR), address 0x12h (continued)**

| Bit | Bit Name    | Default   | Description  |
|-----|-------------|-----------|--|
| 10  | ANC_INT     | 0, RO/COR | <b>Auto-Negotiation Complete interrupt:</b><br>1 = Auto-negotiation complete interrupt is pending and is cleared by the current read.<br>0 = No Auto-negotiation complete interrupt pending.                           |
| 9   | FHF_INT     | 0, RO/COR | <b>False Carrier Counter half-full interrupt:</b><br>1 = False carrier counter half-full interrupt is pending and is cleared by the current read.<br>0 = No false carrier counter half-full interrupt pending.         |
| 8   | RHF_INT     | 0, RO/COR | <b>Receive Error Counter half-full interrupt:</b><br>1 = Receive error counter half-full interrupt is pending and is cleared by the current read.<br>0 = No receive error carrier counter half-full interrupt pending. |
| 7   | Reserved    | 0, RW     | Enable Interrupt on Link Quality Monitor event.  |
| 6   | ED_INT_EN   | 0, RW     | Enable Interrupt on energy detect event.   |
| 5   | LINK_INT_EN | 0, RW     | Enable Interrupt on change of link status.   |
| 4   | SPD_INT_EN  | 0, RW     | Enable Interrupt on change of speed status.  |
| 3   | DUP_INT_EN  | 0, RW     | Enable Interrupt on change of duplex status.   |
| 2   | ANC_INT_EN  | 0, RW     | Enable Interrupt on Auto-negotiation complete event.   |
| 1   | FHF_INT_EN  | 0, RW     | Enable Interrupt on False Carrier Counter Register half-full event.  |
| 0   | RHF_INT_EN  | 0, RW     | Enable Interrupt on Receive Error Counter Register half-full event.  |

#### 6.6.1.2.4 False Carrier Sense Counter Register (FCSCR)

This counter provides information required to implement the “False Carriers” attribute within the MAU managed object class of Clause 30 of the IEEE 802.3 specification.

**Table 6-21. False Carrier Sense Counter Register (FCSCR), address 0x14h**

| Bit  | Bit Name    | Default   | Description   |
|------|-------------|-----------|---|
| 15:8 | RESERVED    | 0, RO     | <b>RESERVED:</b> Writes ignored, read as 0  |
| 7:0  | FCSCNT[7:0] | 0, RO/COR | <b>False Carrier Event Counter:</b><br>This 8-bit counter increments on every false carrier event. This counter sticks when it reaches its max count (FFh). |

#### 6.6.1.2.5 Receiver Error Counter Register (RECR)

This counter provides information required to implement the “Symbol Error During Carrier” attribute within the PHY managed object class of Clause 30 of the IEEE 802.3 specification.

**Table 6-22. Receiver Error Counter Register (RECR), address 0x15h**

| Bit  | Bit Name     | Default   | Description  |
|------|--------------|-----------|--|
| 15:8 | RESERVED     | 0, RO     | <b>RESERVED:</b> Writes ignored, read as 0.  |
| 7:0  | RXERCNT[7:0] | 0, RO/COR | <b>RX_ER Counter:</b><br>When a valid carrier is present and there is at least one occurrence of an invalid data symbol, this 8-bit counter increments for each receive error detected. This event can increment only once per valid carrier event. If a collision is present, the attribute will not increment. The counter sticks when it reaches its max count. |

### 6.6.1.2.6 100 Mb/s PCS Configuration and Status Register (PCSR)

This register contains control and status information for the 100BASE Physical Coding Sublayer.

**Table 6-23. 100 Mb/s PCS Configuration and Status Register (PCSR), address 0x16h**

| Bit   | Bit Name     | Default  | Description   |
|-------|--------------|----------|---|
| 15:13 | RESERVED     | <00>, RO | <b>RESERVED:</b> Writes ignored, read as 0.   |
| 12    | RESERVED     | 0        | <b>RESERVED:</b> Must be zero.  |
| 11    | FREE_CLK     | 0, RW    | <b>Receive Clock:</b>   |
| 10    | TQ_EN        | 0, RW    | <b>100Mbps True Quiet Mode Enable:</b><br>1 = Transmit True Quiet Mode.<br>0 = Normal Transmit Mode.  |
| 9     | SD_FORCE_PMA | 0, RW    | <b>Signal Detect Force PMA:</b><br>1 = Forces Signal Detection in PMA.<br>0 = Normal SD operation.  |
| 8     | SD_OPTION    | 1, RW    | <b>Signal Detect Option:</b><br>1 = Default operation. Link will be asserted following detection of valid signal level and Descrambler Lock. Link will be maintained as long as signal level is valid. A loss of Descrambler Lock will not cause Link Status to drop.<br>0 = Modified signal detect algorithm. Link will be asserted following detection of valid signal level and Descrambler Lock. Link will be maintained as long as signal level is valid and Descrambler remains locked. |
| 7     | DESC_TIME    | 0, RW    | <b>Descrambler Timeout:</b><br>Increase the descrambler timeout. When set this should allow the device to receive larger packets (>9k bytes) without loss of synchronization.<br>1 = 2ms.<br>0 = 722us (per ANSI X3.263: 1995 (TP-PMD) 7.2.3.3e).   |
| 6     | RESERVED     | 0        | <b>RESERVED:</b> Must be zero.  |
| 5     | FORCE_100_OK | 0, RW    | <b>Force 100 Mb/s Good Link:</b><br>1 = Forces 100 Mb/s Good Link.<br>0 = Normal 100 Mb/s operation.  |
| 4     | RESERVED     | 0        | <b>RESERVED:</b> Must be zero.  |
| 3     | RESERVED     | 0        | <b>RESERVED:</b> Must be zero.  |
| 2     | NRZI_BYPASS  | 0, RW    | <b>NRZI Bypass Enable:</b><br>1 = NRZI Bypass Enabled.<br>0 = NRZI Bypass Disabled.   |
| 1     | RESERVED     | 0        | <b>RESERVED:</b> Must be zero.  |
| 0     | RESERVED     | 0        | <b>RESERVED:</b> Must be zero.  |

### 6.6.1.2.7 RMII and Bypass Register (RBR)

This register configures the RMII Mode of operation. When RMII mode is disabled, the RMII functionality is bypassed.

**Table 6-24. RMII and Bypass Register (RBR), addresses 0x17h**

| Bit  | Bit Name       | Default   | Description   |
|------|----------------|-----------|---|
| 15:6 | RESERVED       | 0, RO     | <b>RESERVED:</b> Writes ignored, read as 0.   |
| 5    | RMII_MODE      | Strap, RW | <b>Reduced MII Mode:</b><br>0 = Standard MII Mode.<br>1 = Reduced MII Mode.   |
| 4    | RMII_REV1_0    | 0, RW     | <b>Reduced MII Revision 1.0:</b><br>0 = (RMII revision 1.2) CRS_DV will toggle at the end of a packet to indicate deassertion of CRS.<br>1 = (RMII revision 1.0) CRS_DV will remain asserted until final data is transferred. CRS_DV will not toggle at the end of a packet.  |
| 3    | RX_OVF_STS     | 0, RO     | <b>RX FIFO Over Flow Status:</b><br>0 = Normal.<br>1 = Overflow detected.   |
| 2    | RX_UNF_STS     | 0, RO     | <b>RX FIFO Under Flow Status:</b><br>0 = Normal.<br>1 = Underflow detected.   |
| 1:0  | ELAST_BUF[1:0] | 01, RW    | <b>Receive Elasticity Buffer:</b><br>This field controls the Receive Elasticity Buffer which allows for frequency variation tolerance between the 50 MHz RMII clock and the recovered data. The following values indicate the tolerance in bits for a single packet. The minimum setting allows for standard Ethernet frame sizes at $\pm 50$ ppm accuracy for both RMII and Receive clocks. For greater frequency tolerance the packet lengths may be scaled (for example, for $\pm 100$ ppm, the packet lengths need to be divided by 2).<br><br>00 = 14 bit tolerance (up to 16800 byte packets)<br>01 = 2bit tolerance (up to 2400 byte packets)<br>10 = 6bit tolerance (up to 7200 byte packets)<br>11 = 10 bit tolerance (up to 12000 byte packets) |

### 6.6.1.2.8 LED Direct Control Register (LEDCR)

This register provides the ability to directly control any or all LED outputs. It does not provide read access to LEDs.

**Table 6-25. LED Direct Control Register (LEDCR), address 0x18h**

| Bit  | Bit Name   | Default | Description   |
|------|------------|---------|---|
| 15:6 | RESERVED   | 0, RO   | <b>RESERVED:</b> Writes ignored, read as 0.   |
| 5    | DRV_SPDLED | 0, RW   | 1 = Drive value of SPDLED bit onto LED_SPEED output.<br>0 = Normal operation.       |
| 4    | DRV_LNKLED | 0, RW   | 1 = Drive value of LNKLED bit onto LED_LINK output.<br>0 = Normal operation.        |
| 3    | DRV_ACTLED | 0, RW   | 1 = Drive value of ACTLED bit onto LED_ACT/LED_COL output.<br>0 = Normal operation. |
| 2    | SPDLED     | 0, RW   | Value to force on LED_SPEED output.   |
| 1    | LNKLED     | 0, RW   | Value to force on LED_LINK output.  |
| 0    | ACTLED     | 0, RW   | Value to force on LED_ACT/LED_COL output.   |

### 6.6.1.2.9 PHY Control Register (PHYCR)

This register provides control for Phy functions such as MDIX, BIST, LED configuration, and Phy address. It also provides Pause Negotiation status.

**Table 6-26. PHY Control Register (PHYCR), address 0x19h**

| Bit | Bit Name    | Default   | Description  |
|-----|-------------|-----------|--|
| 15  | MDIX_EN     | Strap, RW | <b>Auto-MDIX Enable:</b><br>1 = Enable Auto-neg Auto-MDIX capability.<br>0 = Disable Auto-neg Auto-MDIX capability.<br><br>The Auto-MDIX algorithm requires that the Auto-Negotiation Enable bit in the BMCR register to be set. If Auto-Negotiation is not enabled, Auto-MDIX should be disabled as well.                                   |
| 14  | FORCE_MDIX  | 0, RW     | <b>Force MDIX:</b><br>1 = Force MDI pairs to cross.<br>(Receive on TPTD pair, Transmit on TPRD pair)<br>0 = Normal operation.  |
| 13  | PAUSE_RX    | 0, RO     | <b>Pause Receive Negotiated:</b><br>Indicates that pause receive should be enabled in the MAC. Based on ANAR[11:10] and ANLPAR[11:10] settings.<br><br>This function shall be enabled according to IEEE 802.3 Annex 28B Table 28B-3, "Pause Resolution", only if the Auto-Negotiated Highest Common Denominator is a full duplex technology. |
| 12  | PAUSE_TX    | 0, RO     | <b>Pause Transmit Negotiated:</b><br>Indicates that pause transmit should be enabled in the MAC. Based on ANAR[11:10] and ANLPAR[11:10] settings.<br><br>This function shall be enabled according to IEEE 802.3 Annex 28B Table 28B-3, Pause Resolution, only if the Auto-Negotiated Highest Common Denominator is a full duplex technology. |
| 11  | BIST_FE     | 0, RW/SC  | <b>BIST Force Error:</b><br>1 = Force BIST Error.<br>0 = Normal operation.<br><br>This bit forces a single error, and is self clearing.  |
| 10  | PSR_15      | 0, RW     | <b>BIST Sequence select:</b><br>1 = PSR15 selected.<br>0 = PSR9 selected.  |
| 9   | BIST_STATUS | 0, LL/RO  | <b>BIST Test Status:</b><br>1 = BIST pass.<br>0 = BIST fail. Latched, cleared when BIST is stopped.<br><br>For a count number of BIST errors, see the BIST Error Count in the <a href="#">Section 6.6.1.2.11</a> .   |
| 8   | BIST_START  | 0, RW     | <b>BIST Start:</b><br>1 = BIST start.<br>0 = BIST stop.  |
| 7   | BP_STRETCH  | 0, RW     | <b>Bypass LED Stretching:</b><br>This will bypass the LED stretching and the LEDs will reflect the internal value.<br>1 = Bypass LED stretching.<br>0 = Normal operation.  |



**Table 6-26. PHY Control Register (PHYCR), address 0x19h (continued)**

| Bit         | Bit Name                   | Default            | Description  |             |             |                  |            |   |        |   |   |        |   |   |        |
|-------------|----------------------------|--------------------|--|-------------|-------------|------------------|------------|---|--------|---|---|--------|---|---|--------|
| 6<br>5      | LED_CNFG[1]<br>LED_CNFG[0] | 0, RW<br>Strap, RW | <b>LED Configuration</b><br><table border="1"> <thead> <tr> <th>LED_CNFG[1]</th> <th>LED_CNFG[0]</th> <th>Mode Description</th> </tr> </thead> <tbody> <tr> <td>Don't care</td> <td>1</td> <td>Mode 1</td> </tr> <tr> <td>0</td> <td>0</td> <td>Mode 2</td> </tr> <tr> <td>1</td> <td>0</td> <td>Mode 3</td> </tr> </tbody> </table> <p>In <b>Mode 1</b>, LEDs are configured as follows:<br/>           LED_LINK = ON for Good Link, OFF for No Link<br/>           LED_SPEED = ON in 100 Mb/s, OFF in 10 Mb/s<br/>           LED_ACT/LED_COL = ON for Activity, OFF for No Activity</p> <p>In <b>Mode 2</b>, LEDs are configured as follows:<br/>           LED_LINK = ON for good Link, BLINK for Activity<br/>           LED_SPEED = ON in 100 Mb/s, OFF in 10 Mb/s<br/>           LED_ACT/LED_COL = ON for Collision, OFF for No Collision<br/>           Full Duplex, OFF for Half Duplex</p> <p>In <b>Mode 3</b>, LEDs are configured as follows:<br/>           LED_LINK = ON for Good Link, BLINK for Activity<br/>           LED_SPEED = ON in 100 Mb/s, OFF in 10 Mb/s<br/>           LED_ACT/LED_COL = ON for Full Duplex, OFF for Half Duplex</p> | LED_CNFG[1] | LED_CNFG[0] | Mode Description | Don't care | 1 | Mode 1 | 0 | 0 | Mode 2 | 1 | 0 | Mode 3 |
| LED_CNFG[1] | LED_CNFG[0]                | Mode Description   |  |             |             |                  |            |   |        |   |   |        |   |   |        |
| Don't care  | 1                          | Mode 1             |  |             |             |                  |            |   |        |   |   |        |   |   |        |
| 0           | 0                          | Mode 2             |  |             |             |                  |            |   |        |   |   |        |   |   |        |
| 1           | 0                          | Mode 3             |  |             |             |                  |            |   |        |   |   |        |   |   |        |
| 4:0         | PHYADDR[4:0]               | Strap, RW          | <b>PHY Address:</b> PHY address for port.  |             |             |                  |            |   |        |   |   |        |   |   |        |

#### 6.6.1.2.10 10 Base-T Status/Control Register (10BTSCR)

This register is used for control and status for 10BASE-T device operation.

**Table 6-27. 10Base-T Status/Control Register (10BTSCR), address 1Ah**

| Bit       | Bit Name        | Default   | Description   |
|-----------|-----------------|-----------|---|
| 15        | 10BT_SERIAL     | Strap, RW | <b>10Base-T Serial Mode (SNI)</b><br>1 = Enables 10Base-T Serial Mode.<br>0 = Normal Operation.<br>Places 10 Mb/s transmit and receive functions in Serial Network Interface (SNI) Mode of operation. Has no effect on 100 Mb/s operation.  |
| 14:1<br>2 | RESERVED        | 0, RW     | <b>RESERVED:</b> Must be zero.  |
| 11:9      | SQUELCH         | 100, RW   | <b>Squelch Configuration:</b><br>Used to set the Squelch ON threshold for the receiver.<br>Default Squelch ON is 330mV peak.  |
| 8         | LOOPBACK_10_DIS | 0, RW     | <b>10Base-T Loopback Disable:</b><br>In half-duplex mode, default 10BASE-T operation loops Transmit data to the Receive data in addition to transmitting the data on the physical medium. This is for consistency with earlier 10BASE2 and 10BASE5 implementations which used a shared medium. Setting this bit disables the loopback function.<br>This bit does not affect loopback due to setting BMCR[14]. |
| 7         | LP_DIS          | 0, RW     | <b>Normal Link Pulse Disable:</b><br>1 = Transmission of NLPs is disabled.<br>0 = Transmission of NLPs is enabled.  |
| 6         | FORCE_LINK_10   | 0, RW     | <b>Force 10Mb Good Link:</b><br>1 = Forced Good 10Mb Link.<br>0 = Normal Link Status.   |
| 5         | RESERVED        | 0, RW     | <b>RESERVED:</b> Must be zero.  |
| 4         | POLARITY        | RO/LH     | <b>10Mb Polarity Status:</b><br>This bit is a duplication of bit 12 in the PHYSTS register. Both bits will be cleared upon a read of 10BTSCR register, but not upon a read of the PHYSTS register.<br>1 = Inverted Polarity detected.<br>0 = Correct Polarity detected.   |

**Table 6-27. 10Base-T Status/Control Register (10BTSCR), address 1Ah (continued)**

| Bit | Bit Name      | Default | Description  |
|-----|---------------|---------|--|
| 3   | RESERVED      | 0, RW   | <b>RESERVED:</b> Must be zero.   |
| 2   | RESERVED      | 1, RW   | <b>RESERVED:</b> Must be set to one.   |
| 1   | HEARTBEAT_DIS | 0, RW   | <b>Heartbeat Disable:</b> This bit only has influence in half-duplex 10Mb mode.<br>1 = Heartbeat function disabled.<br>0 = Heartbeat function enabled.<br><br><b>When the device is operating at 100Mb or configured for full duplex operation, this bit will be ignored - the heartbeat function is disabled.</b> |
| 0   | JABBER_DIS    | 0, RW   | <b>Jabber Disable:</b><br>Applicable only in 10BASE-T.<br>1 = Jabber function disabled.<br>0 = Jabber function enabled.  |

#### 6.6.1.2.11 CD Test and BIST Extensions Register (CDCTRL1)

This register controls test modes for the 10BASE-T Common Driver. In addition it contains extended control and status for the packet BIST function.

**Table 6-28. CD Test and BIST Extensions Register (CDCTRL1), address 0x1Bh**

| Bit  | Bit Name         | Default | Description  |
|------|------------------|---------|--|
| 15:8 | BIST_ERROR_COUNT | 0, RO   | <b>BIST ERROR Counter:</b><br>Counts number of errored data nibbles during Packet BIST. This value will reset when Packet BIST is restarted. The counter sticks when it reaches its max count.   |
| 7:6  | RESERVED         | 0, RW   | <b>RESERVED:</b> Must be zero.   |
| 5    | BIST_CONT_MODE   | 0, RW   | <b>Packet BIST Continuous Mode:</b><br>Allows continuous pseudo random data transmission without any break in transmission. This can be used for transmit VOD testing. This is used in conjunction with the BIST controls in the PHYCR Register (19h). For 10Mb operation, jabber function must be disabled, bit 0 of the 10BTSCR (1Ah), JABBER_DIS = 1. |
| 4    | CDPATTEN_10      | 0, RW   | <b>CD Pattern Enable for 10Mb:</b><br>1 = Enabled.<br>0 = Disabled.  |
| 3    | RESERVED         | 0, RW   | <b>RESERVED:</b> Must be zero.   |
| 2    | 10MEG_PATT_GAP   | 0, RW   | <b>Defines gap between data or NLP test sequences:</b><br>1 = 15 $\mu$ s.<br>0 = 10 $\mu$ s.   |
| 1:0  | CDPATTSEL[1:0]   | 00, RW  | <b>CD Pattern Select[1:0]:</b><br>If CDPATTEN_10 = 1:<br>00 = Data, EOP0 sequence.<br>01 = Data, EOP1 sequence.<br>10 = NLPs.<br>11 = Constant Manchester 1s (10 MHz sine wave) for harmonic distortion testing.   |

### 6.6.1.2.12 Energy Detect Control (EDCR)

This register provides control and status for the Energy Detect function.

**Table 6-29. Energy Detect Control (EDCR), address 0x1Dh**

| Bit | Bit Name      | Default   | Description  |
|-----|---------------|-----------|--|
| 15  | ED_EN         | 0, RW     | <b>Energy Detect Enable:</b><br>Allow Energy Detect Mode.<br>When Energy Detect is enabled and Auto-Negotiation is disabled through the BMCR register, Auto-MDIX should be disabled through the PHYCR register.  |
| 14  | ED_AUTO_UP    | 1, RW     | <b>Energy Detect Automatic Power Up:</b><br>Automatically begin power-up sequence when Energy Detect Data Threshold value (EDCR[3:0]) is reached. Alternatively, device could be powered up manually using the ED_MAN bit (EDCR[12]).  |
| 13  | ED_AUTO_DOWN  | 1, RW     | <b>Energy Detect Automatic Power Down:</b><br>Automatically begin power-down sequence when no energy is detected. Alternatively, device could be powered down using the ED_MAN bit (EDCR[12]).   |
| 12  | ED_MAN        | 0, RW/SC  | <b>Energy Detect Manual Power Up/Down:</b><br>Begin power-up/down sequence when this bit is asserted. When set, the Energy Detect algorithm will initiate a change of Energy Detect state regardless of threshold (error or data) and timer values. In managed applications, this bit can be set after clearing the Energy Detect interrupt to control the timing of changing the power state. |
| 11  | ED_BURST_DIS  | 0, RW     | <b>Energy Detect Burst Disable:</b><br>Disable bursting of energy detect data pulses. By default, Energy Detect (ED) transmits a burst of 4 ED data pulses each time the CD is powered up. When bursting is disabled, only a single ED data pulse will be send each time the CD is powered up.   |
| 10  | ED_PWR_STATE  | 0, RO     | <b>Energy Detect Power State:</b><br>Indicates current Energy Detect Power state. When set, Energy Detect is in the powered up state. When cleared, Energy Detect is in the powered down state. This bit is invalid when Energy Detect is not enabled.   |
| 9   | ED_ERR_MET    | 0, RO/COR | <b>Energy Detect Error Threshold Met:</b><br>No action is automatically taken upon receipt of error events. This bit is informational only and would be cleared on a read.   |
| 8   | ED_DATA_MET   | 0, RO/COR | <b>Energy Detect Data Threshold Met:</b><br>The number of data events that occurred met or surpassed the Energy Detect Data Threshold. This bit is cleared on a read.  |
| 7:4 | ED_ERR_COUNT  | 0001, RW  | <b>Energy Detect Error Threshold:</b><br>Threshold to determine the number of energy detect error events that should cause the device to take action. Intended to allow averaging of noise that may be on the line. Counter will reset after approximately 2 seconds without any energy detect data events.  |
| 3:0 | ED_DATA_COUNT | 0001, RW  | <b>Energy Detect Data Threshold:</b><br>Threshold to determine the number of energy detect events that should cause the device to take actions. Intended to allow averaging of noise that may be on the line. Counter will reset after approximately 2 seconds without any energy detect data events.  |

## 7 Application, Implementation, and Layout

### NOTE

Information in the following applications sections is not part of the TI component specification, and TI does not warrant its accuracy or completeness. TI's customers are responsible for determining suitability of components for their purposes. Customers should validate and test their design implementation to confirm system functionality.

### 7.1 Application Information

The device is a physical layer Ethernet transceiver. Typical operating voltage is 3.3 V with power consumption less than 270 mW. When using the device for Ethernet application, it is necessary to meet certain requirements for normal operation of device. Following typical application and design requirements can be used for selecting appropriate component values for DP83848.

### 7.2 Typical Application

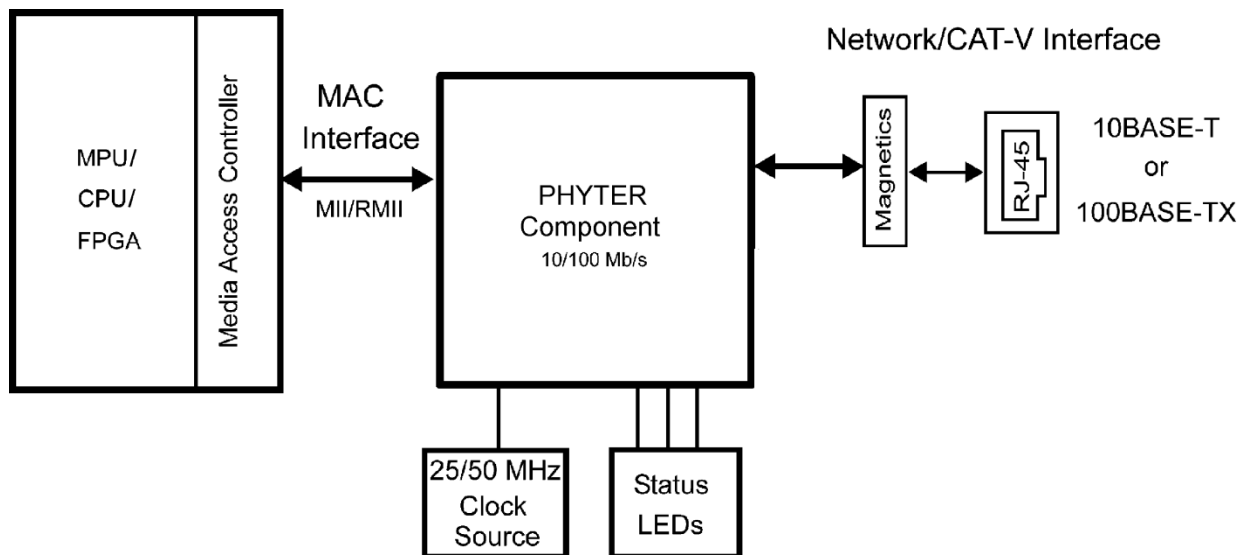


Figure 7-1. Typical Application Schematic

#### 7.2.1 Design Requirements

The design requirements for DP83848 are:

- $V_{in} = 3.3\text{ V}$
- $V_{out} = V_{cc} - 0.5\text{ V}$
- Clock Input = 25 MHz for MII and 50 MHz for RMII

##### 7.2.1.1 TPI Network Circuit

Figure 7-2 shows the recommended circuit for a 10/100 Mb/s twisted pair interface. To the right is a partial list of recommended transformers. It is important that the user realize that variations with PCB and component characteristics requires that the application be tested to ensure that the circuit meets the requirements of the intended application.

- Pulse H1102
- Pulse H2019
- Pulse J0011D21
- Pulse J0011D21B

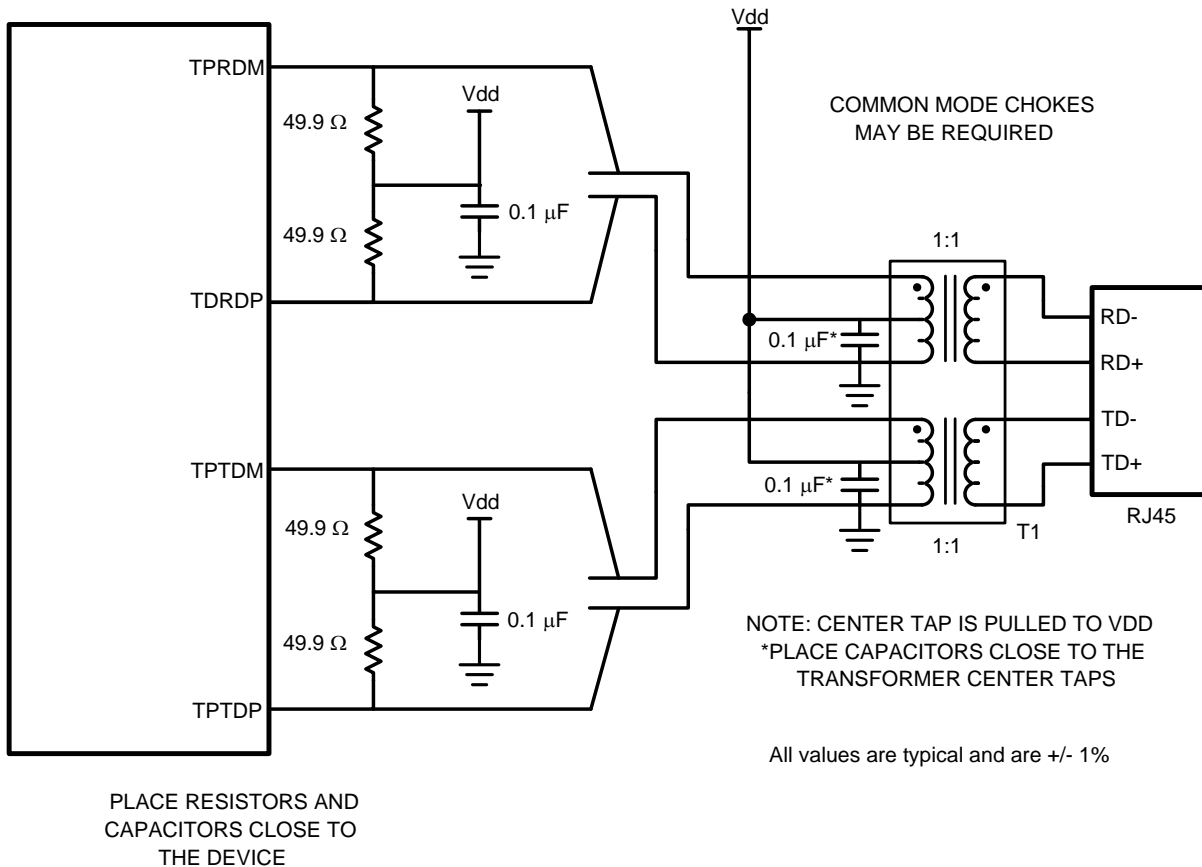


Figure 7-2. 10/100 Mb/s Twisted Pair Interface

### 7.2.1.2 Clock IN (X1) Requirements

The DP83848VYB supports an external CMOS level oscillator source or a crystal resonator device.

#### 7.2.1.2.1 Oscillator

If an external clock source is used, X1 should be tied to the clock source and X2 should be left floating.

Specifications for CMOS oscillators: 25 MHz in MII Mode and 50 MHz in RMII Mode are listed in [Table 7-1](#) and [Table 7-2](#).

#### 7.2.1.2.2 Crystal

A 25-MHz, parallel, 20-pF load crystal resonator should be used if a crystal source is desired. [Figure 7-4](#) shows a typical connection for a crystal resonator circuit. The load capacitor values will vary with the crystal vendors; check with the vendor for the recommended loads.

The oscillator circuit is designed to drive a parallel resonance AT cut crystal with a minimum drive level of 100 mW and a maximum of 500 μW. If a crystal is specified for a lower drive level, a current limiting resistor should be placed in series between X2 and the crystal.

As a starting point for evaluating an oscillator circuit, if the requirements for the crystal are not known,  $C_{L1}$  and  $C_{L2}$  should be set at 33 pF, and  $R_1$  should be set at 0 Ω.

Specification for 25-MHz crystal are listed in [Table 7-3](#).

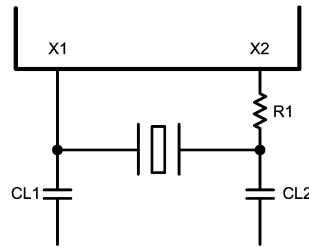


Figure 7-3. Crystal Oscillator Circuit

Table 7-1. 25-MHz Oscillator Specification

| PARAMETER           | CONDITION               | MIN | TYP | MAX                | UNIT |
|---------------------|-------------------------|-----|-----|--------------------|------|
| Frequency           |                         |     | 25  |                    | MHz  |
| Frequency Tolerance | Operational Temperature |     |     | ±50                | ppm  |
| Frequency Stability | 1 year aging            |     |     | ±50                | ppm  |
| Rise / Fall Time    | 20% - 80%               |     |     | 6                  | nsec |
| Jitter              | Short term              |     |     | 800 <sup>(1)</sup> | psec |
| Jitter              | Long term               |     |     | 800 <sup>(1)</sup> | psec |
| Symmetry            | Duty Cycle              | 40% |     | 60%                |      |

(1) This limit is provided as a guideline for component selection and not specified by production testing. Refer to AN-1548 ([SNLA091](#)), *PHYTER 100 Base-TX Reference Clock Jitter Tolerance*, for details on jitter performance.

Table 7-2. 50-MHz Oscillator Specification

| PARAMETER           | CONDITION               | MIN | TYP | MAX                | UNIT |
|---------------------|-------------------------|-----|-----|--------------------|------|
| Frequency           |                         |     | 50  |                    | MHz  |
| Frequency Tolerance | Operational Temperature |     |     | ±50                | ppm  |
| Frequency Stability | Operational Temperature |     |     | ±50                | ppm  |
| Rise / Fall Time    | 20% - 80%               |     |     | 6                  | nsec |
| Jitter              | Short term              |     |     | 800 <sup>(1)</sup> | psec |
| Jitter              | Long term               |     |     | 800 <sup>(1)</sup> | psec |
| Symmetry            | Duty Cycle              | 40% |     | 60%                |      |

(1) This limit is provided as a guideline for component selection and not specified by production testing. Refer to AN-1548 ([SNLA091](#)), *PHYTER 100 Base-TX Reference Clock Jitter Tolerance* for details on jitter performance.

Table 7-3. 25-MHz Crystal Specification

| PARAMETER           | CONDITION               | MIN | TYP | MAX | UNIT |
|---------------------|-------------------------|-----|-----|-----|------|
| Frequency           |                         |     | 25  |     | MHz  |
| Frequency Tolerance | Operational Temperature |     |     | ±50 | ppm  |
| Frequency Stability | 1 year aging            |     |     | ±50 | ppm  |
| Load Capacitance    |                         | 25  |     | 40  | pF   |

### 7.2.1.3 Power Feedback Circuit

To ensure correct operation for the DP83848VYB, parallel caps with values of 10  $\mu$ F and 0.1  $\mu$ F should be placed close to pin 23 (**PFBOUT**) of the device.

Pin 18 (**PFBIN1**), pin 37 (**PFBIN2**), pin 23 (**PFBIN3**) and pin 54 (**PFBIN4**) must be connected to pin 31 (**PFBOUT**), each pin requires a small capacitor (.1  $\mu$ F). See [Figure 7-4](#) below for proper connections.

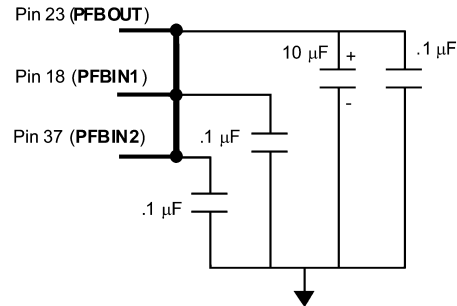


Figure 7-4. Power Feedback Connection

### 7.2.1.3.1 Power Down and Interrupt

The Power Down and Interrupt functions are multiplexed on pin 7 of the device. By default, this pin functions as a power-down input and the interrupt function is disabled. Setting bit 0 (INT\_OE) of MICR (0x11h) will configure the pin as an active low interrupt output.

#### 7.2.1.3.1.1 Power Down Control Mode

The PWRDOWN\_INT pins can be asserted low to put the device in a Power Down mode. This is equivalent to setting bit 11 (Power Down) in the Basic Mode Control Register, BMCR (0x00h). An external control signal can be used to drive the pin low, overcoming the weak internal pullup resistor. Alternatively, the device can be configured to initialize into a Power Down state by use of an external pulldown resistor on the PWRDOWN\_INT pin. Since the device will still respond to management register accesses, setting the INT\_OE bit in the MICR register will disable the PWRDOWN\_INT input, allowing the device to exit the Power Down state.

#### 7.2.1.3.1.2 Interrupt Mechanisms

The interrupt function is controlled through register access. All interrupt sources are disabled by default. Setting bit 1 (INTEN) of MICR (0x11h) will enable interrupts to be output, dependent on the interrupt mask set in the lower byte of the MISR (0x12h). The PWRDOWN\_INT pin is asynchronously asserted low when an interrupt condition occurs. The source of the interrupt can be determined by reading the upper byte of the MISR. One or more bits in the MISR will be set, denoting all currently pending interrupts. Reading of the MISR clears ALL pending interrupts.

Example: To generate an interrupt on a change of link status or on a change of energy detect power state, the steps would be:

- Write 0003h to MICR to set INTEN and INT\_OE
- Write 0060h to MISR to set ED\_INT\_EN and LINK\_INT\_EN
- Monitor PWRDOWN\_INT pin

When PWRDOWN\_INT pin asserts low, the user would read the MISR register to see if the ED\_INT or LINK\_INT bits are set, for example, which source caused the interrupt. After reading the MISR, the interrupt bits should clear and the PWRDOWN\_INT pin will deassert.

### 7.2.1.4 Magnetics

The magnetics have a large impact on the PHY performance as well. While several components are listed below, others may be compatible following the requirements listed in Table 6-4. It is recommended that the magnetics include both an isolation transformer and an integrated common mode choke to reduce EMI. When doing the layout, do not run signals under the magnetics. This could cause unwanted noise crosstalk. Likewise void the planes under discrete magnetics, this will help prevent common mode noise coupling. To save board space and reduce component count, an RJ-45 with integrated magnetics may be used.

**Table 7-4. Magnetics Requirements**

| PARAMETER                              | TYP   | UNITS | CONDITION  |
|--|-------|-------|------------|
| Turn Ratio                             | 1:1   | —     | ±2%        |
| Insertion Loss                         | -1    | dB    | 1-100 MHz  |
| Return Loss                            | -16   | dB    | 1-30 MHz   |
|  | -12   | dB    | 30-60 MHz  |
|  | 10    | dB    | 60-80 MHz  |
| Differential to Common Rejection Ratio | -30   | dB    | 1-50MHz    |
|  | -20   | dB    | 50-150 MHz |
| Crosstalk                              | -35   | dB    | 30 MHz     |
|  | -30   | dB    | 60 MHz     |
| Isolation                              | 1,500 | Vrms  | HPOT       |

### 7.2.1.5 ESD Protection

Typically, ESD precautions are predominantly in effect when handling the devices or board before being installed in a system. In those cases, strict handling procedures need be implemented during the manufacturing process to greatly reduce the occurrences of catastrophic ESD events. After the system is assembled, internal components are less sensitive from ESD events.

See [Section 5.2](#) for ESD rating.

## 7.2.2 Detailed Design Procedure

### 7.2.2.1 MAC Interface (MII/RMII)

The Media Independent Interface (MII) connects the PHYTER component to the Media Access Controller (MAC). The MAC may in fact be a discrete device, integrated into a microprocessor, CPU or FPGA. On the MII signals, the IEEE specification states the bus should be 68-Ω impedance. For space critical designs, the PHYTER family of products also support Reduced MII (RMII). For additional information on this mode of operation, refer to the *AN-1405 DP83848 Single 10/100 Mb/s Ethernet Transceiver Reduced Media Independent Interface (RMII) Mode Application Report (SNLA076)*.

#### 7.2.2.1.1 Termination Requirement

To reduce digital signal energy, 50-Ω series termination resistors are recommended for all MII output signals (including RXCLK, TXCLK, and RX Data signals.)

#### 7.2.2.1.2 Recommended Maximum Trace Length

Although RMII and MII are synchronous bus architectures, there are a number of factors limiting signal trace lengths. With a longer trace, the signal becomes more attenuated at the destination and thus more susceptible to noise interference. Longer traces also act as antennas, and if run on the surface layer, can increase EMI radiation. If a long trace is running near and adjacent to a noisy signal, the unwanted signals could be coupled in as cross talk. It is recommended to keep the signal trace lengths as short as possible. Ideally, keep the traces under 6 inches. Trace length matching, to within 2.0 inches on the MII or RMII bus is also recommended. Significant differences in the trace lengths can cause data timing issues. As with any high speed data signal, good design practices dictate that impedance should be maintained and stubs should be avoided throughout the entire data path.

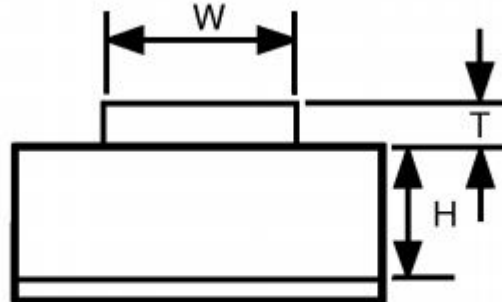
### 7.2.2.2 Calculating Impedance

The following equations can be used to calculate the differential impedance of the board. For microstrip traces, a solid ground plane is needed under the signal traces. The ground plane helps keep the EMI localized and the trace impedance continuous. Since stripline traces are typically sandwiched between the ground/supply planes, they have the advantage of lower EMI radiation and less noise coupling. The trade off of using strip line is lower propagation speed.



**7.2.2.2.1 Microstrip Impedance - Single-Ended**

$$Z_o = \left( \frac{87}{\sqrt{E_r + (1.41)}} \right) \ln \left( 5.98 \frac{H}{0.8 W + T} \right) \quad (3)$$

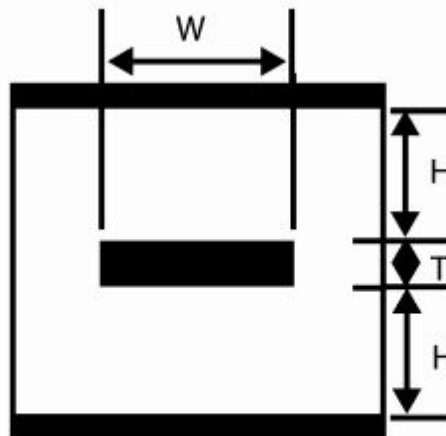


W = Width of the trace H = Height of dielectric above the return plane T = Trace thickness Er = Relative permittivity of the dielectric

Figure 7-5. Microstrip Impedance - Single-Ended

**7.2.2.2.2 Stripline Impedance – Single Ended**

$$Z_o = \left( \frac{60}{\sqrt{E_r}} \right) \ln \left( 1.98 \times \left( \frac{2 \times H + T}{0.8 \times W + T} \right) \right) \quad (4)$$

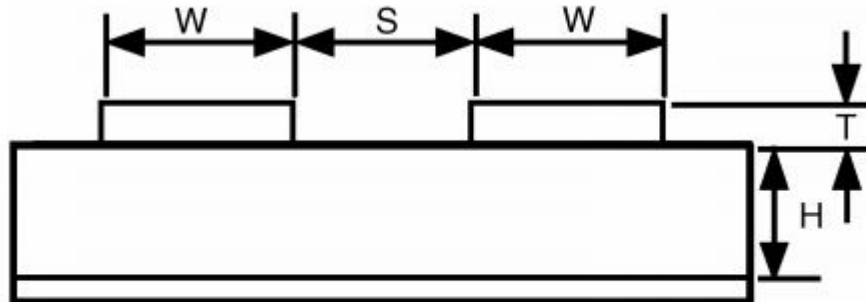


W = Width of the trace H = Height of dielectric above the return plane T = Trace thickness Er = Relative permittivity of the dielectric

Figure 7-6. Stripline Impedance – Single Ended

**7.2.2.2.3 Microstrip Impedance - Differential**

$$Z_{\text{diff}} = 2 \times Z_0 \times \left( 1 - 0.48 \left( e^{(-0.96 \frac{S}{H})} \right) \right) \tag{5}$$

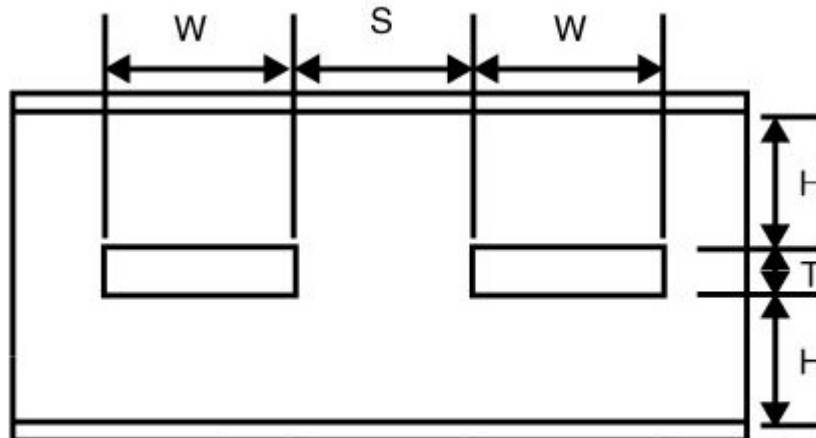


W = Width of the trace H = Height of dielectric above the return plane T = Trace thickness S = Space between traces  
 Er = Relative permittivity of the dielectric

Figure 7-7. Microstrip Impedance - Differential

**7.2.2.2.4 Stripline Impedance - Differential**

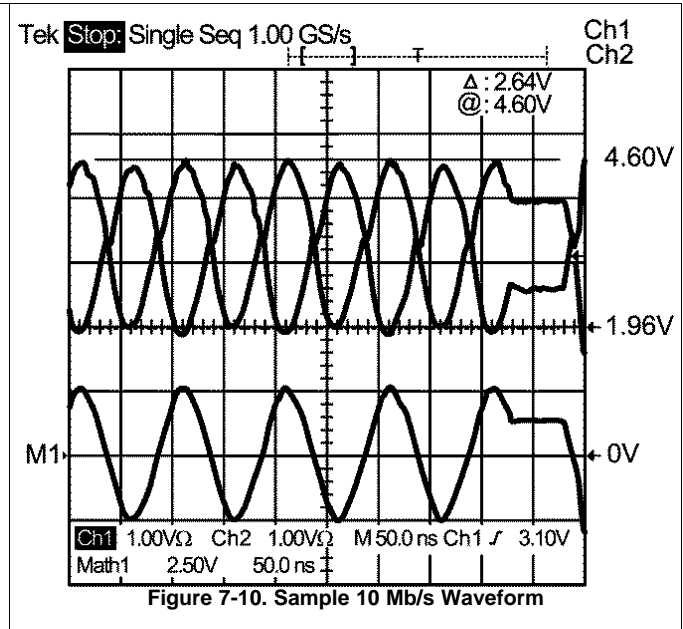
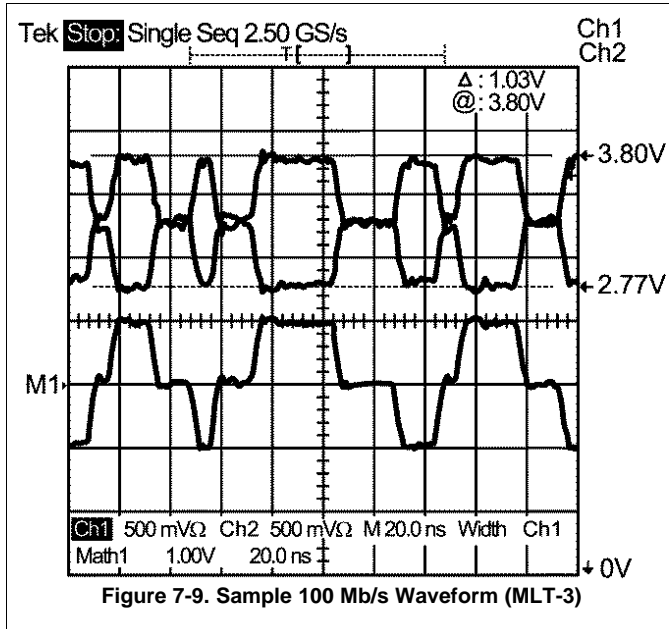
$$Z_{\text{diff}} = 2 \times Z_0 \left( 1 - 0.347 \left( e^{(-2.9 \frac{S}{H})} \right) \right) \tag{6}$$



W = Width of the trace H = Height of dielectric above the return plane T = Trace thickness S = space between traces  
 Er = Relative permittivity of the dielectric

Figure 7-8. Stripline Impedance - Differential

### 7.2.3 Application Curves



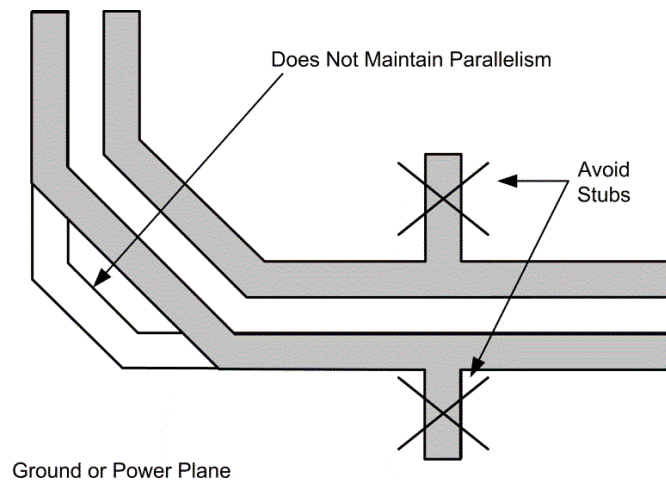
## 7.3 Layout

### 7.3.1 Layout Guidelines

#### 7.3.1.1 PCB Layout Considerations

Place the 49.9- $\Omega$ , 1% resistors and 0.1- $\mu$ F decoupling capacitor near the PHYTER TD $\pm$  and RD $\pm$  pins and via directly to the Vdd plane.

Stubs should be avoided on all signal traces, especially the differential signal pairs. See [Figure 7-11](#). Within the pairs (for example, TD+ and TD-) the trace lengths should be run parallel to each other and matched in length. Matched lengths minimize delay differences, avoiding an increase in common mode noise and increased EMI. See [Figure 7-11](#).

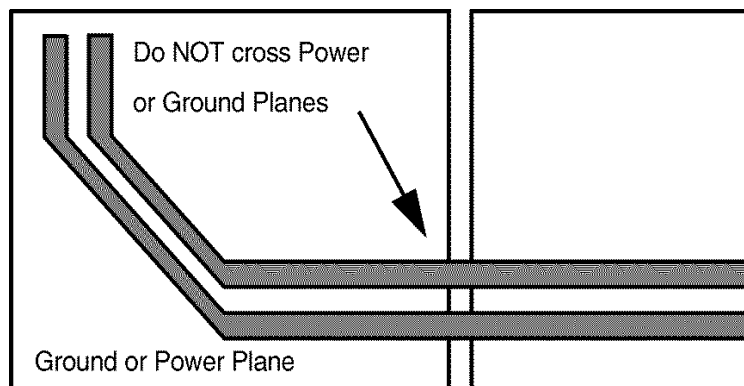


**Figure 7-11. Differential Signal Pair – Stubs**

Ideally, there should be no crossover or via on the signal paths. Vias present impedance discontinuities and should be minimized. Route an entire trace pair on a single layer if possible.

PCB trace lengths should be kept as short as possible.

Signal traces should not be run such that they cross a plane split. See [Figure 7-12](#). A signal crossing a plane split may cause unpredictable return path currents and would likely impact signal quality as well, potentially creating EMI problems.



**Figure 7-12. Differential Signal Pair-Plane Crossing**

MDI signal traces should have 50  $\Omega$  to ground or 100  $\Omega$  differential controlled impedance. Many tools are available online to calculate this.

### 7.3.1.2 PCB Layer Stacking

To meet signal integrity and performance requirements, at minimum a four layer PCB is recommended for implementing PHYTER components in end user systems. The following layer stack-ups are recommended for four, six, and eight-layer boards, although other options are possible.

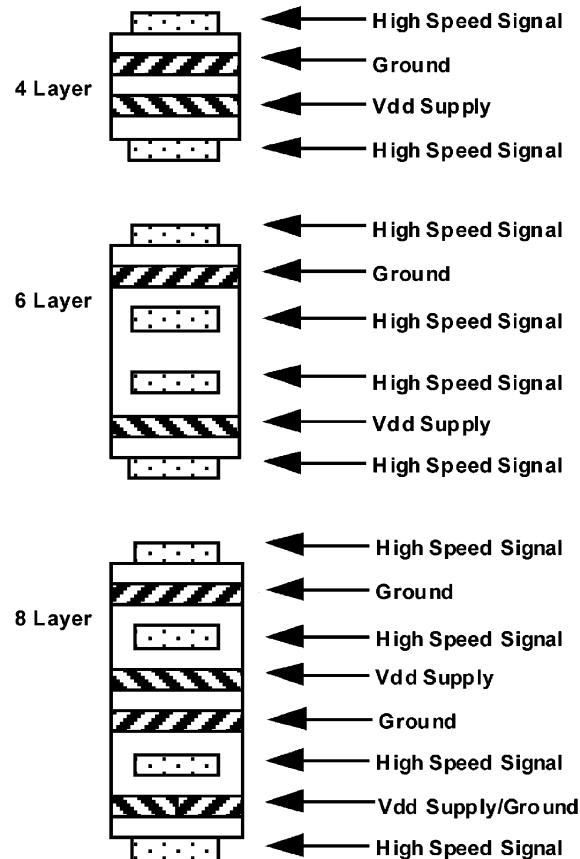


Figure 7-13. PCB Stripline Layer Stacking

Within a PCB it may be desirable to run traces using different methods, microstrip vs. stripline, depending on the location of the signal on the PCB. For example, it may be desirable to change layer stacking where an isolated chassis ground plane is used. Figure 7-14 illustrates alternative PCB stacking options.

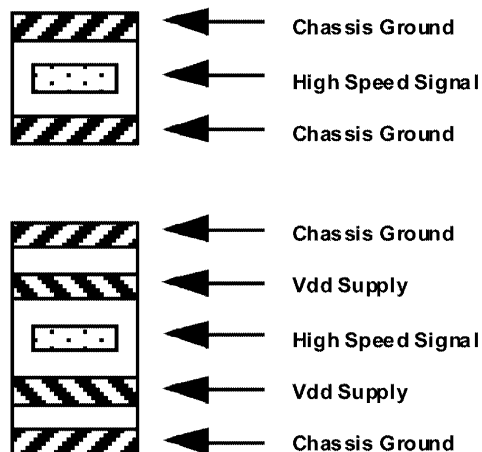


Figure 7-14. Alternative PCB Stripline Layer Stacking

### 7.3.2 Layout Example

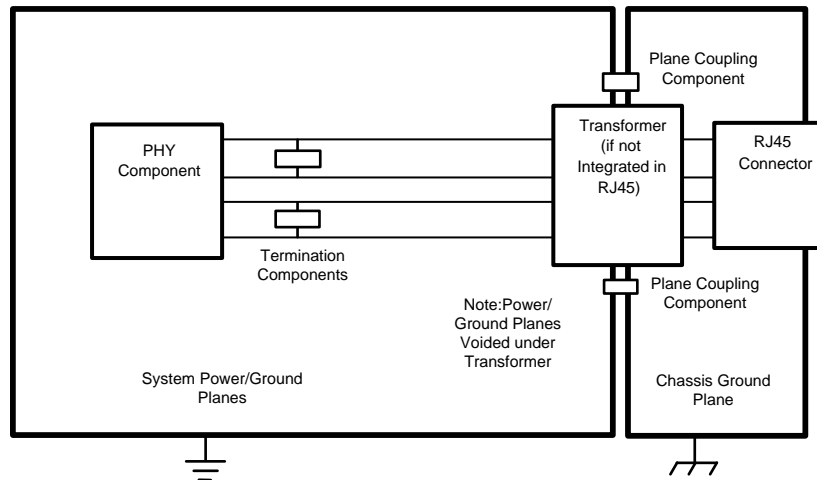


Figure 7-15. Layout Example

### 7.4 Power Supply Recommendations

The device Vdd supply pins should be bypassed with low impedance 0.1- $\mu$ F surface mount capacitors. To reduce EMI, the capacitors should be placed as close as possible to the component Vdd supply pins, preferably between the supply pins and the vias connecting to the power plane. In some systems it may be desirable to add 0- $\Omega$  resistors in series with supply pins, as the resistor pads provide flexibility if adding EMI beads becomes necessary to meet system level certification testing requirements. (See Figure 6.8) It is recommended the PCB have at least one solid ground plane and one solid Vdd plane to provide a low impedance power source to the component. This also provides a low impedance return path for non-differential digital MII and clock signals. A 10.0- $\mu$ F capacitor should also be placed near the PHY component for local bulk bypassing between the Vdd and ground planes.

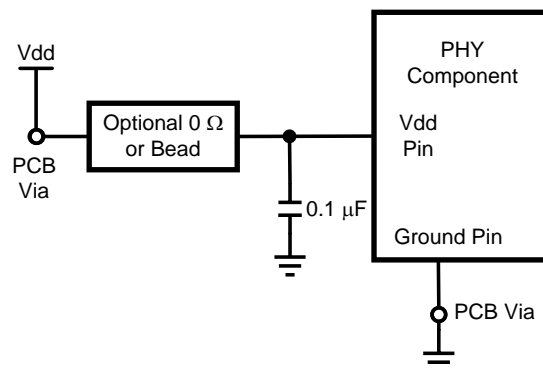


Figure 7-16. Vdd Bypass Layout

## 8 Device and Documentation Support

### 8.1 Documentation Support

#### 8.1.1 Related Documentation

- AN-1548 PHYTER 100 Base-TX Reference Clock Jitter Tolerance, ([SNLA091](#))
- AN-1405 DP83848 Single 10/100 Mb/s Ethernet Transceiver Reduced Media Independent Interface (RMII) Mode Application Report, ([SNLA076](#))

### 8.2 Related Links

The table below lists quick access links. Categories include technical documents, support and community resources, tools and software, and quick access to sample or buy.

**Table 8-1. Related Links**

| PARTS      | PRODUCT FOLDER             | SAMPLE & BUY               | TECHNICAL DOCUMENTS        | TOOLS & SOFTWARE           | SUPPORT & COMMUNITY        |
|------------|----------------------------|----------------------------|----------------------------|----------------------------|----------------------------|
| DP83848C   | <a href="#">Click here</a> | <a href="#">Click here</a> | <a href="#">Click here</a> | <a href="#">Click here</a> | <a href="#">Click here</a> |
| DP83848I   | <a href="#">Click here</a> | <a href="#">Click here</a> | <a href="#">Click here</a> | <a href="#">Click here</a> | <a href="#">Click here</a> |
| DP83848VYB | <a href="#">Click here</a> | <a href="#">Click here</a> | <a href="#">Click here</a> | <a href="#">Click here</a> | <a href="#">Click here</a> |
| DP83848YB  | <a href="#">Click here</a> | <a href="#">Click here</a> | <a href="#">Click here</a> | <a href="#">Click here</a> | <a href="#">Click here</a> |

### 8.3 Trademarks

PHYTER is a trademark of Texas Instruments.  
All other trademarks are the property of their respective owners.

### 8.4 Electrostatic Discharge Caution



These devices have limited built-in ESD protection. The leads should be shorted together or the device placed in conductive foam during storage or handling to prevent electrostatic damage to the MOS gates.

### 8.5 Glossary

[SLYZ022](#) — *TI Glossary*.

This glossary lists and explains terms, acronyms, and definitions.

## 9 Mechanical, Packaging, and Orderable Information

The following pages include mechanical, packaging, and orderable information. This information is the most current data available for the designated devices. This data is subject to change without notice and revision of this document. For browser-based versions of this data sheet, refer to the left-hand navigation.

## PACKAGING INFORMATION

| Orderable Device | Status<br>(1) | Package Type | Package Drawing | Pins | Package Qty | Eco Plan<br>(2)         | Lead/Ball Finish<br>(6) | MSL Peak Temp<br>(3) | Op Temp (°C) | Device Marking<br>(4/5) | Samples                 |
|------------------|---------------|--------------|-----------------|------|-------------|-------------------------|-------------------------|----------------------|--------------|-------------------------|-------------------------|
| DP83848CVV/NOPB  | ACTIVE        | LQFP         | PT              | 48   | 250         | Green (RoHS & no Sb/Br) | CU NIPDAU   CU SN       | Level-3-260C-168 HR  | 0 to 70      | DP83848VV<br>VBC        | <a href="#">Samples</a> |
| DP83848CVVX/NOPB | ACTIVE        | LQFP         | PT              | 48   | 1000        | Green (RoHS & no Sb/Br) | CU NIPDAU   CU SN       | Level-3-260C-168 HR  | 0 to 70      | DP83848VV<br>VBC        | <a href="#">Samples</a> |
| DP83848IVV/NOPB  | ACTIVE        | LQFP         | PT              | 48   | 250         | Green (RoHS & no Sb/Br) | CU NIPDAU   CU SN       | Level-3-260C-168 HR  | -40 to 85    | DP83848VV<br>VBI        | <a href="#">Samples</a> |
| DP83848IVVX/NOPB | ACTIVE        | LQFP         | PT              | 48   | 1000        | Green (RoHS & no Sb/Br) | CU NIPDAU   CU SN       | Level-3-260C-168 HR  | -40 to 85    | DP83848VV<br>VBI        | <a href="#">Samples</a> |
| DP83848VYB/NOPB  | ACTIVE        | HLQFP        | PTB             | 48   | 250         | Green (RoHS & no Sb/Br) | CU SN                   | Level-3-260C-168 HR  | -40 to 105   | DP83848<br>VYB          | <a href="#">Samples</a> |
| DP83848YB        | OBSOLETE      | HLQFP        | PTB             | 48   |             | TBD                     | Call TI                 | Call TI              |              |                         |                         |
| DP83848YB/NOPB   | ACTIVE        | HLQFP        | PTB             | 48   | 250         | Green (RoHS & no Sb/Br) | CU SN                   | Level-3-260C-168 HR  | -40 to 125   | DP83848YB               | <a href="#">Samples</a> |
| DP83848YBX/NOPB  | ACTIVE        | HLQFP        | PTB             | 48   | 1000        | Green (RoHS & no Sb/Br) | CU SN                   | Level-3-260C-168 HR  | -40 to 125   | DP83848YB               | <a href="#">Samples</a> |

(1) The marketing status values are defined as follows:

**ACTIVE:** Product device recommended for new designs.

**LIFEBUY:** TI has announced that the device will be discontinued, and a lifetime-buy period is in effect.

**NRND:** Not recommended for new designs. Device is in production to support existing customers, but TI does not recommend using this part in a new design.

**PREVIEW:** Device has been announced but is not in production. Samples may or may not be available.

**OBSOLETE:** TI has discontinued the production of the device.

(2) Eco Plan - The planned eco-friendly classification: Pb-Free (RoHS), Pb-Free (RoHS Exempt), or Green (RoHS & no Sb/Br) - please check <http://www.ti.com/productcontent> for the latest availability information and additional product content details.

**TBD:** The Pb-Free/Green conversion plan has not been defined.

**Pb-Free (RoHS):** TI's terms "Lead-Free" or "Pb-Free" mean semiconductor products that are compatible with the current RoHS requirements for all 6 substances, including the requirement that lead not exceed 0.1% by weight in homogeneous materials. Where designed to be soldered at high temperatures, TI Pb-Free products are suitable for use in specified lead-free processes.

**Pb-Free (RoHS Exempt):** This component has a RoHS exemption for either 1) lead-based flip-chip solder bumps used between the die and package, or 2) lead-based die adhesive used between the die and leadframe. The component is otherwise considered Pb-Free (RoHS compatible) as defined above.

**Green (RoHS & no Sb/Br):** TI defines "Green" to mean Pb-Free (RoHS compatible), and free of Bromine (Br) and Antimony (Sb) based flame retardants (Br or Sb do not exceed 0.1% by weight in homogeneous material)

(3) MSL, Peak Temp. - The Moisture Sensitivity Level rating according to the JEDEC industry standard classifications, and peak solder temperature.

(4) There may be additional marking, which relates to the logo, the lot trace code information, or the environmental category on the device.



<sup>(5)</sup> Multiple Device Markings will be inside parentheses. Only one Device Marking contained in parentheses and separated by a "~" will appear on a device. If a line is indented then it is a continuation of the previous line and the two combined represent the entire Device Marking for that device.

<sup>(6)</sup> Lead/Ball Finish - Orderable Devices may have multiple material finish options. Finish options are separated by a vertical ruled line. Lead/Ball Finish values may wrap to two lines if the finish value exceeds the maximum column width.

**Important Information and Disclaimer:**The information provided on this page represents TI's knowledge and belief as of the date that it is provided. TI bases its knowledge and belief on information provided by third parties, and makes no representation or warranty as to the accuracy of such information. Efforts are underway to better integrate information from third parties. TI has taken and continues to take reasonable steps to provide representative and accurate information but may not have conducted destructive testing or chemical analysis on incoming materials and chemicals. TI and TI suppliers consider certain information to be proprietary, and thus CAS numbers and other limited information may not be available for release.

In no event shall TI's liability arising out of such information exceed the total purchase price of the TI part(s) at issue in this document sold by TI to Customer on an annual basis.

## TAPE AND REEL INFORMATION



### QUADRANT ASSIGNMENTS FOR PIN 1 ORIENTATION IN TAPE



\*All dimensions are nominal

| Device           | Package Type | Package Drawing | Pins | SPQ  | Reel Diameter (mm) | Reel Width W1 (mm) | A0 (mm) | B0 (mm) | K0 (mm) | P1 (mm) | W (mm) | Pin1 Quadrant |
|------------------|--------------|-----------------|------|------|--------------------|--------------------|---------|---------|---------|---------|--------|---------------|
| DP83848CVVX/NOPB | LQFP         | PT              | 48   | 1000 | 330.0              | 16.4               | 9.3     | 9.3     | 2.2     | 12.0    | 16.0   | Q2            |
| DP83848IVVX/NOPB | LQFP         | PT              | 48   | 1000 | 330.0              | 16.4               | 9.3     | 9.3     | 2.2     | 12.0    | 16.0   | Q2            |
| DP83848YBX/NOPB  | HLQFP        | PTB             | 48   | 1000 | 330.0              | 16.4               | 9.3     | 9.3     | 2.2     | 12.0    | 16.0   | Q2            |

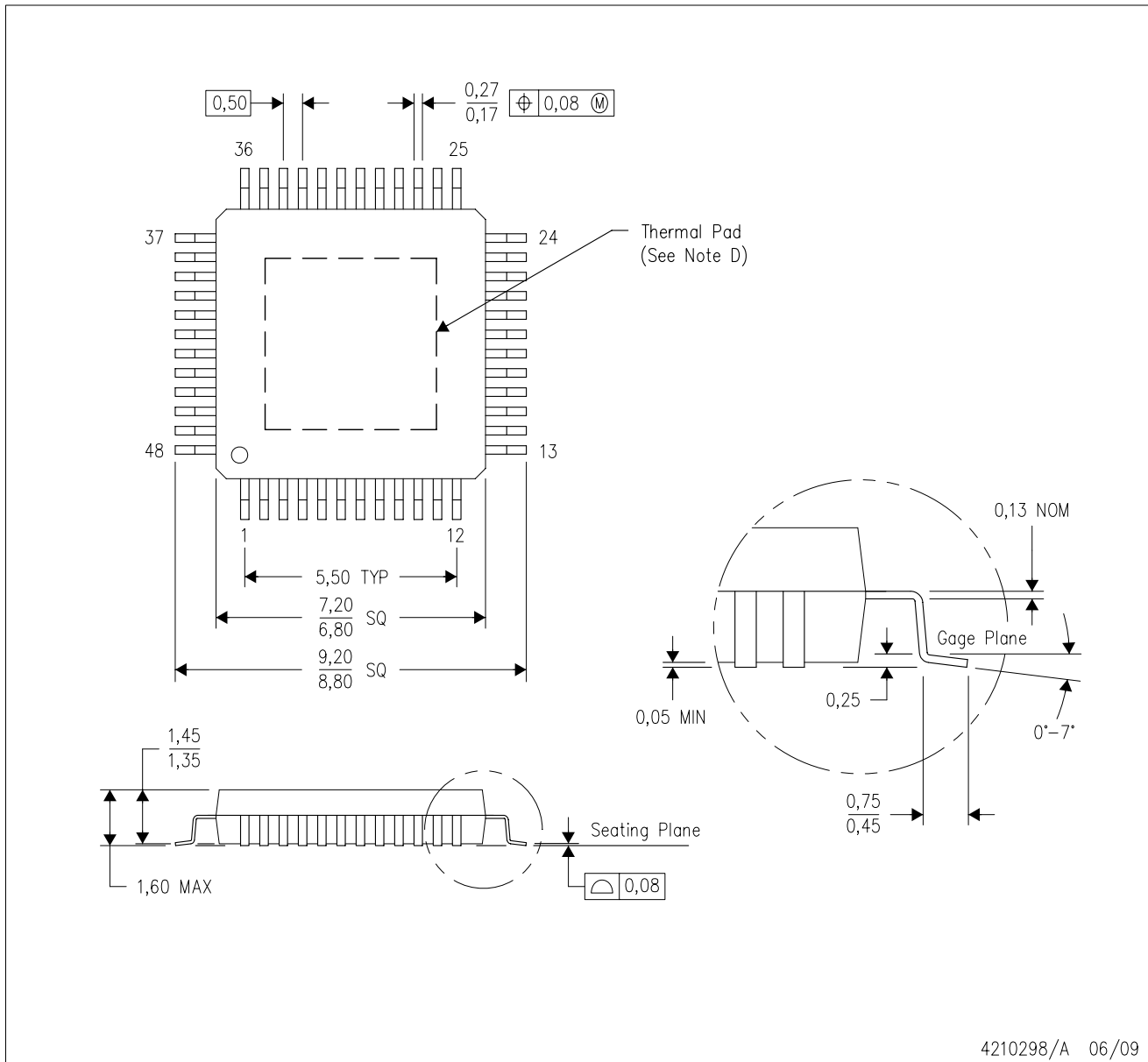
**TAPE AND REEL BOX DIMENSIONS**


\*All dimensions are nominal

| Device           | Package Type | Package Drawing | Pins | SPQ  | Length (mm) | Width (mm) | Height (mm) |
|------------------|--------------|-----------------|------|------|-------------|------------|-------------|
| DP83848CVVX/NOPB | LQFP         | PT              | 48   | 1000 | 367.0       | 367.0      | 38.0        |
| DP83848IVVX/NOPB | LQFP         | PT              | 48   | 1000 | 367.0       | 367.0      | 38.0        |
| DP83848YBX/NOPB  | HLQFP        | PTB             | 48   | 1000 | 367.0       | 367.0      | 38.0        |

PTB (S-HLQFP-G48)

PLASTIC QUAD FLATPACK

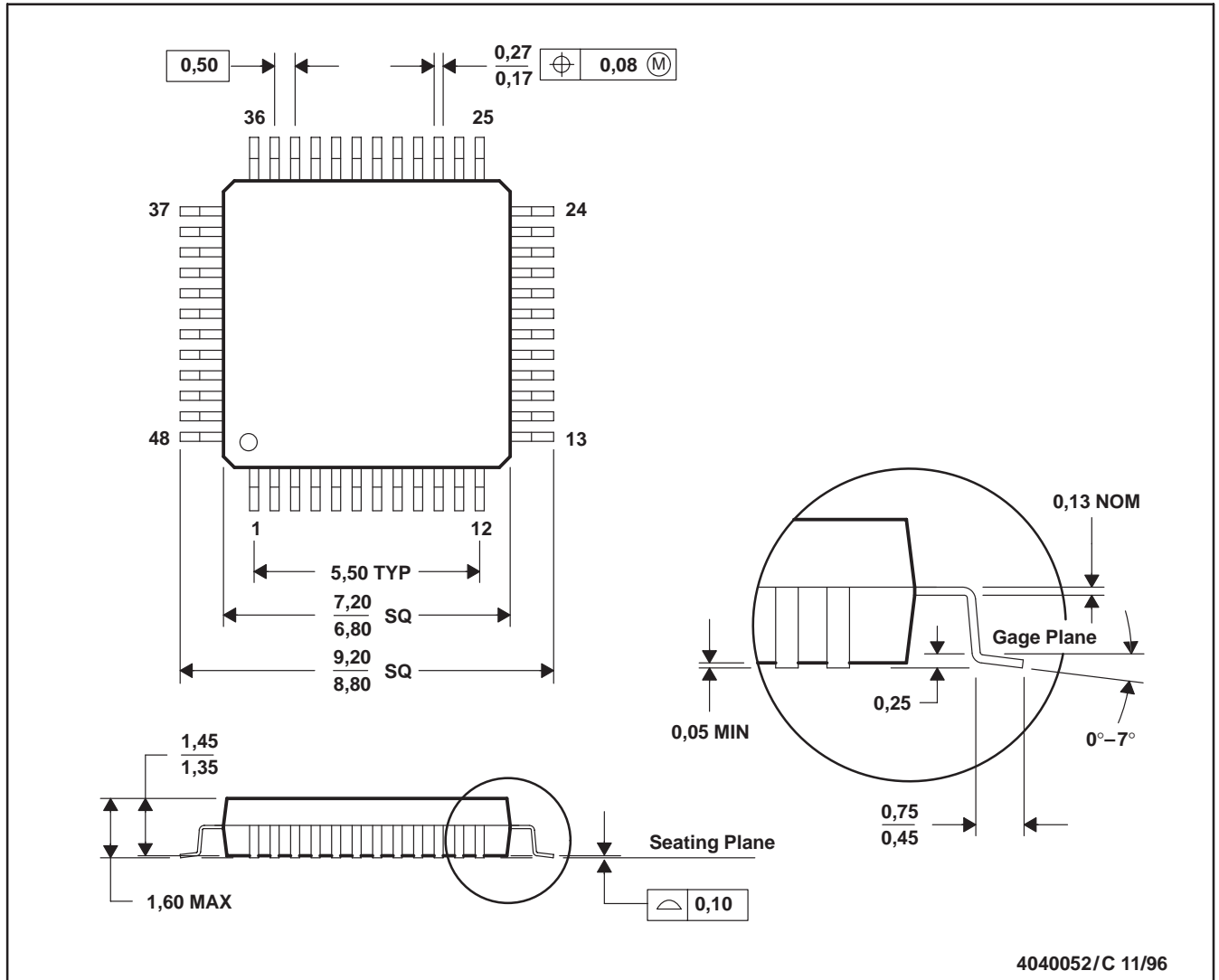


4210298/A 06/09

- NOTES:
- All linear dimensions are in millimeters. Dimensioning and tolerancing per ASME Y14.5M-1994.
  - This drawing is subject to change without notice.
  - Also may be thermally enhanced plastic package with leads connected to the die pads.
  - This package is designed to be soldered to a thermal pad on the board. Refer to Technical Brief, PowerPad Thermally Enhanced Package, Texas Instruments Literature No. SLMA002 for information regarding recommended board layout. This document is available at [www.ti.com](http://www.ti.com) <<http://www.ti.com>>.
  - Falls within JEDEC MS-026

PT (S-PQFP-G48)

PLASTIC QUAD FLATPACK



- NOTES: A. All linear dimensions are in millimeters.  
 B. This drawing is subject to change without notice.  
 C. Falls within JEDEC MS-026  
 D. This may also be a thermally enhanced plastic package with leads connected to the die pads.

## IMPORTANT NOTICE

Texas Instruments Incorporated and its subsidiaries (TI) reserve the right to make corrections, enhancements, improvements and other changes to its semiconductor products and services per JESD46, latest issue, and to discontinue any product or service per JESD48, latest issue. Buyers should obtain the latest relevant information before placing orders and should verify that such information is current and complete. All semiconductor products (also referred to herein as "components") are sold subject to TI's terms and conditions of sale supplied at the time of order acknowledgment.

TI warrants performance of its components to the specifications applicable at the time of sale, in accordance with the warranty in TI's terms and conditions of sale of semiconductor products. Testing and other quality control techniques are used to the extent TI deems necessary to support this warranty. Except where mandated by applicable law, testing of all parameters of each component is not necessarily performed.

TI assumes no liability for applications assistance or the design of Buyers' products. Buyers are responsible for their products and applications using TI components. To minimize the risks associated with Buyers' products and applications, Buyers should provide adequate design and operating safeguards.

TI does not warrant or represent that any license, either express or implied, is granted under any patent right, copyright, mask work right, or other intellectual property right relating to any combination, machine, or process in which TI components or services are used. Information published by TI regarding third-party products or services does not constitute a license to use such products or services or a warranty or endorsement thereof. Use of such information may require a license from a third party under the patents or other intellectual property of the third party, or a license from TI under the patents or other intellectual property of TI.

Reproduction of significant portions of TI information in TI data books or data sheets is permissible only if reproduction is without alteration and is accompanied by all associated warranties, conditions, limitations, and notices. TI is not responsible or liable for such altered documentation. Information of third parties may be subject to additional restrictions.

Resale of TI components or services with statements different from or beyond the parameters stated by TI for that component or service voids all express and any implied warranties for the associated TI component or service and is an unfair and deceptive business practice. TI is not responsible or liable for any such statements.

Buyer acknowledges and agrees that it is solely responsible for compliance with all legal, regulatory and safety-related requirements concerning its products, and any use of TI components in its applications, notwithstanding any applications-related information or support that may be provided by TI. Buyer represents and agrees that it has all the necessary expertise to create and implement safeguards which anticipate dangerous consequences of failures, monitor failures and their consequences, lessen the likelihood of failures that might cause harm and take appropriate remedial actions. Buyer will fully indemnify TI and its representatives against any damages arising out of the use of any TI components in safety-critical applications.

In some cases, TI components may be promoted specifically to facilitate safety-related applications. With such components, TI's goal is to help enable customers to design and create their own end-product solutions that meet applicable functional safety standards and requirements. Nonetheless, such components are subject to these terms.

No TI components are authorized for use in FDA Class III (or similar life-critical medical equipment) unless authorized officers of the parties have executed a special agreement specifically governing such use.

Only those TI components which TI has specifically designated as military grade or "enhanced plastic" are designed and intended for use in military/aerospace applications or environments. Buyer acknowledges and agrees that any military or aerospace use of TI components which have **not** been so designated is solely at the Buyer's risk, and that Buyer is solely responsible for compliance with all legal and regulatory requirements in connection with such use.

TI has specifically designated certain components as meeting ISO/TS16949 requirements, mainly for automotive use. In any case of use of non-designated products, TI will not be responsible for any failure to meet ISO/TS16949.

### Products

|                              |  |
|------------------------------|--|
| Audio                        | <a href="http://www.ti.com/audio">www.ti.com/audio</a>                               |
| Amplifiers                   | <a href="http://amplifier.ti.com">amplifier.ti.com</a>                               |
| Data Converters              | <a href="http://dataconverter.ti.com">dataconverter.ti.com</a>                       |
| DLP® Products                | <a href="http://www.dlp.com">www.dlp.com</a>   |
| DSP                          | <a href="http://dsp.ti.com">dsp.ti.com</a>   |
| Clocks and Timers            | <a href="http://www.ti.com/clocks">www.ti.com/clocks</a>                             |
| Interface                    | <a href="http://interface.ti.com">interface.ti.com</a>                               |
| Logic                        | <a href="http://logic.ti.com">logic.ti.com</a>                                       |
| Power Mgmt                   | <a href="http://power.ti.com">power.ti.com</a>                                       |
| Microcontrollers             | <a href="http://microcontroller.ti.com">microcontroller.ti.com</a>                   |
| RFID                         | <a href="http://www.ti-rfid.com">www.ti-rfid.com</a>                                 |
| OMAP Applications Processors | <a href="http://www.ti.com/omap">www.ti.com/omap</a>                                 |
| Wireless Connectivity        | <a href="http://www.ti.com/wirelessconnectivity">www.ti.com/wirelessconnectivity</a> |

### Applications

|                               |  |
|-------------------------------|--|
| Automotive and Transportation | <a href="http://www.ti.com/automotive">www.ti.com/automotive</a>                         |
| Communications and Telecom    | <a href="http://www.ti.com/communications">www.ti.com/communications</a>                 |
| Computers and Peripherals     | <a href="http://www.ti.com/computers">www.ti.com/computers</a>                           |
| Consumer Electronics          | <a href="http://www.ti.com/consumer-apps">www.ti.com/consumer-apps</a>                   |
| Energy and Lighting           | <a href="http://www.ti.com/energy">www.ti.com/energy</a>                                 |
| Industrial                    | <a href="http://www.ti.com/industrial">www.ti.com/industrial</a>                         |
| Medical                       | <a href="http://www.ti.com/medical">www.ti.com/medical</a>                               |
| Security                      | <a href="http://www.ti.com/security">www.ti.com/security</a>                             |
| Space, Avionics and Defense   | <a href="http://www.ti.com/space-avionics-defense">www.ti.com/space-avionics-defense</a> |
| Video and Imaging             | <a href="http://www.ti.com/video">www.ti.com/video</a>                                   |

### TI E2E Community

[e2e.ti.com](http://e2e.ti.com)