



TO-92L Plastic-Encapsulate Transistors

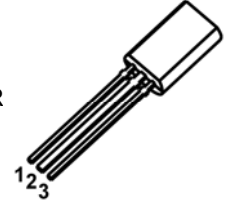
2SC2060 TRANSISTOR (NPN)

FEATURE

- Power Dissipation P_{CM} : 0.75 W ($T_a=25^\circ\text{C}$)
- Low Saturation Voltage ($V_{CE(sat)}=0.15\text{V}$ at 500mA)
- Complementary Pair with 2SA934

TO-92L

1. EMITTER
2. COLLECTOR
3. BASE



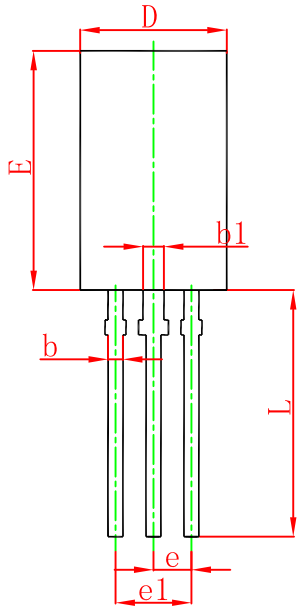
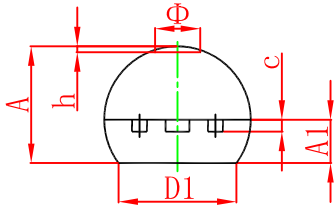
MAXIMUM RATINGS ($T_a=25^\circ\text{C}$ unless otherwise noted)

Symbol	Parameter	Value	Unit
V_{CBO}	Collector-base voltage	40	V
V_{CEO}	Collector-Emitter Voltage	32	V
V_{EBO}	Emitter-Base Voltage	5	V
I_C	Collector Current -Continuous	1	A
P_C	Collector Power Dissipation	750	mW
T_J	Junction Temperature	150	$^\circ\text{C}$
T_{stg}	Storage Temperature	-55-150	$^\circ\text{C}$

ELECTRICAL CHARACTERISTICS ($T_a=25^\circ\text{C}$ unless otherwise specified)

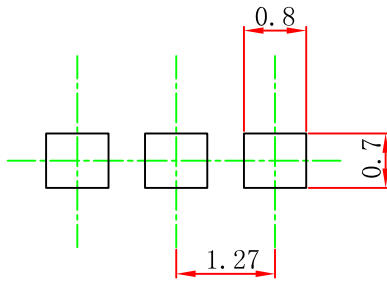
Parameter	Symbol	Test conditions	Min	Max	Unit
Collector-base breakdown voltage	$V(BR)_{CBO}$	$I_C=100\mu\text{A}$, $I_E=0$	40		V
Collector-emitter breakdown voltage	$V(BR)_{CEO}$	$I_C=1\text{mA}$, $I_B=0$	32		V
Emitter-base breakdown voltage	$V(BR)_{EBO}$	$I_E=100\mu\text{A}$, $I_C=0$	5		V
Collector cut-off current	I_{CBO}	$V_{CB}=20\text{V}$, $I_E=0$		0.5	μA
Emitter cut-off current	I_{EBO}	$V_{EB}=4\text{V}$, $I_C=0$		0.1	μA
DC current gain	h_{FE}	$V_{CE}=3\text{V}$, $I_C=100\text{mA}$	80	400	
Collector-emitter saturation voltage	$V_{CE(sat)}$	$I_C=500\text{mA}$, $I_B=50\text{mA}$		0.4	V
Transition frequency	f_T	$V_{CE}=5\text{V}$, $I_E=-50\text{mA}$	50		MHz
Collector output capacitance	C_{ob}	$V_{CB}=10\text{V}$, $I_E=0$, $f=1\text{MHz}$		30	pF

TO-92L Package Outline Dimensions



Symbol	Dimensions In Millimeters		Dimensions In Inches	
	Min.	Max.	Min.	Max.
A	3.750	4.050	0.148	0.159
A1	1.280	1.580	0.050	0.062
b	0.380	0.550	0.015	0.022
b1	0.620	0.780	0.024	0.031
c	0.350	0.450	0.014	0.018
D	4.750	5.050	0.187	0.199
D1	4.000		0.157	
E	7.850	8.150	0.309	0.321
e	1.270 TYP.		0.050 TYP.	
e1	2.440	2.640	0.096	0.104
L	13.800	14.200	0.543	0.559
Φ		1.600		0.063
h	0.000	0.300	0.000	0.012

TO-92L Suggested Pad Layout



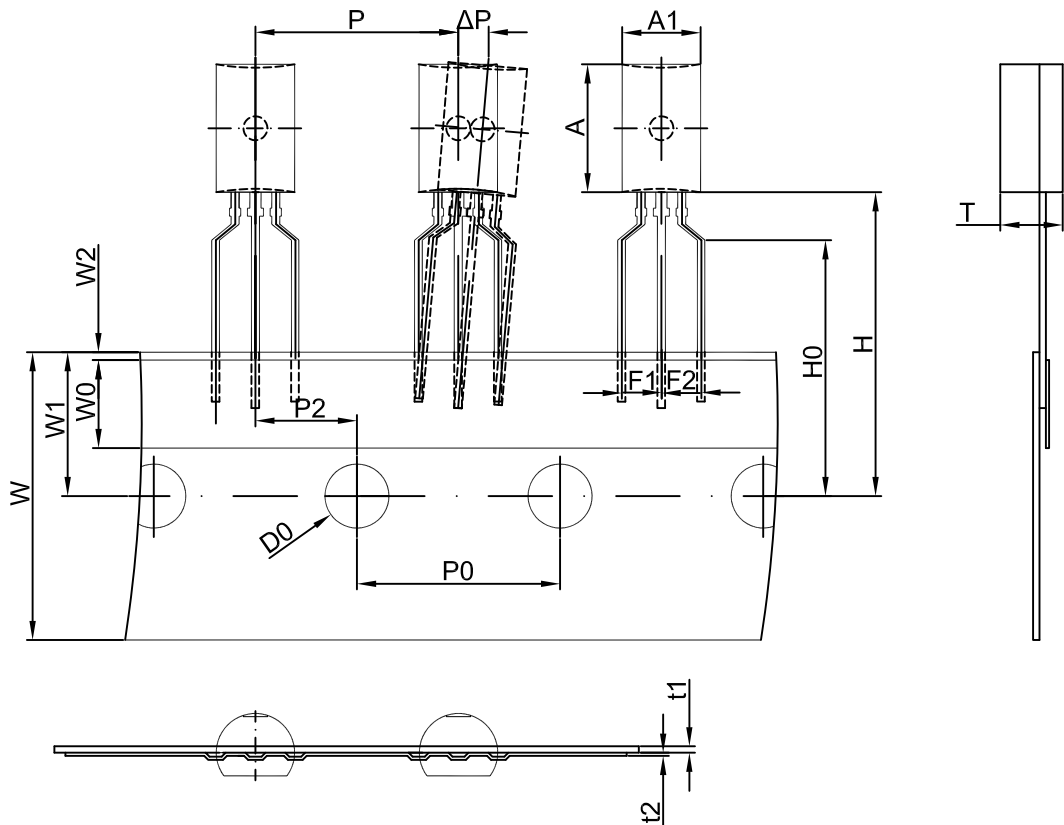
Note:

1. Controlling dimension: in millimeters.
2. General tolerance: ± 0.05 mm.
3. The pad layout is for reference purposes only.

NOTICE

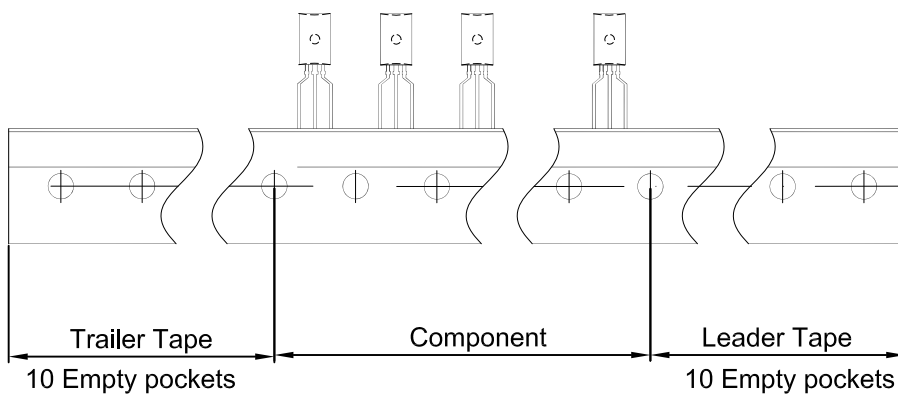
JCET reserve the right to make modifications, enhancements, improvements, corrections or other changes without further notice to any product herein. JCET does not assume any liability arising out of the application or use of any product described herein.

TO-92L PACKAGE TAPING DIMENSION



Dimensions are in millimeter

A1	A	T	P	P0	P2	F1	F2	W
4.9	8.0	3.9	12.7	12.7	6.35	2.5	2.5	18.0
W0	W1	W2	H	H0	D0	t1	t2	ΔP
6.0	9.0	1.0	19.0	16.0	4.0	0.4	0.2	0



Package	Box	Box Size(mm)	Carton	Carton Size(mm)
TO-92L	2000 pcs	333×203×42	20,000 pcs	493×400×264