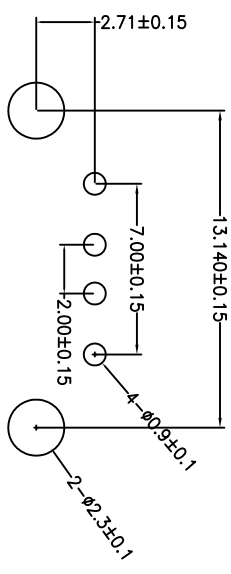
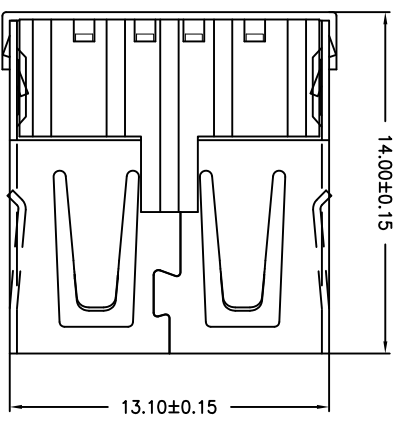
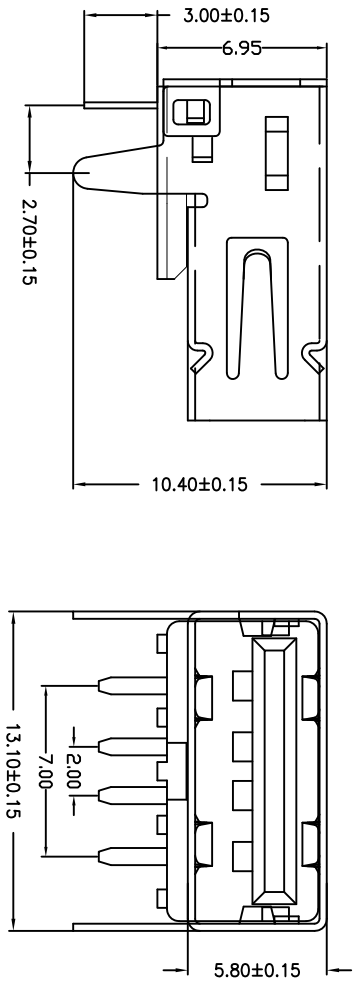


目錄 MAPX	變更內容 MODIFICATION	日期 DATE
------------	----------------------	------------



RECOMMEND P.C.B PATTERN LAYOUT

备注：侧弹分为外弹与内弹

NOTES:  
Housing: Thermoplastics  
Contact: Copper Alloy  
Shell: Copper Alloy/Steel  
Voltage Current Rating: 1.5 AMP. 30V AC  
Insulation Resistance: 1000MΩ Min.  
Contact Resistance: 30 MΩ Max.  
Dielectric Withstanding Voltage: 500W AC  
Temperature Range: -35°C to +85°C  
Insulator color: Black/White  
Plastic material: PBT/LCP/Others  
Shell finish: Nickel plated/Tin-Lead plated  
Mechanical:  
Mating Force: 3.5KG MAX  
Umating Force: 0.7 KG MIN.  
Contact finish:  
01: Selective Gold Flash  
02: Selective Gold 3U”  
03: Selective Gold 5U”  
04: Selective Gold 15U”  
05: Selective Gold 30U”

产品图  
PRODUCT CHART DWG

公差一览表 TOLERANCE UNLESS OTHERWISE		单位 UNITS	MM	制图 DRAWING	邱建辉	产品料号 PRODUCT PART NO.	JTJ-USB-AF-02
X	±0.25	X'	±5'	比例 SCALE	1:1	审核 CHECK	郭洽富
XX	±0.15	XX'	±2'	日期 DATE	2014/10/20	核准 APPROV	黄国荣
.XXX	±0.10	.XXX'	±0.5'	角法 VIEW		版本 VER	A0