

THIS DRAWING IS UNPUBLISHED.

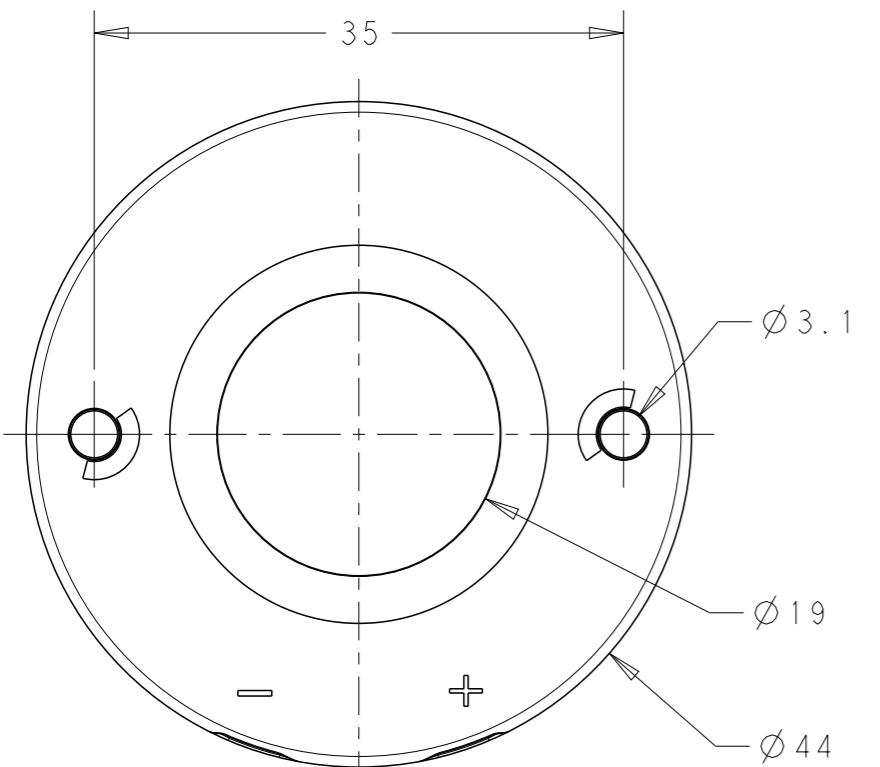
RELEASED FOR PUBLICATION

20

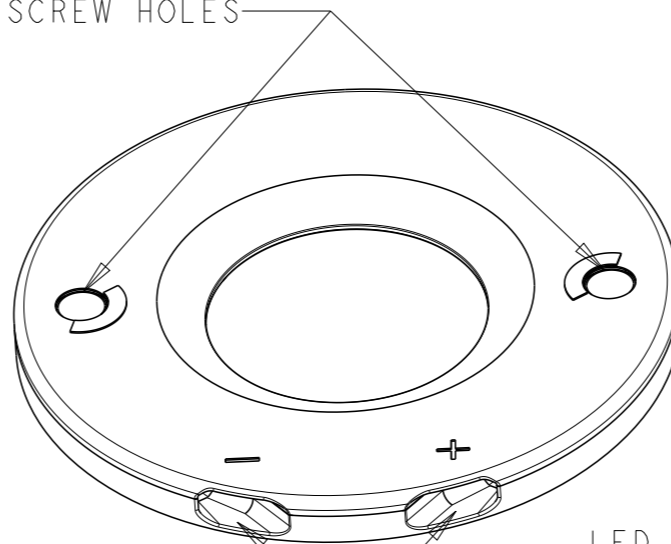
© COPYRIGHT 20 BY - ALL RIGHTS RESERVED.

REVISIONS

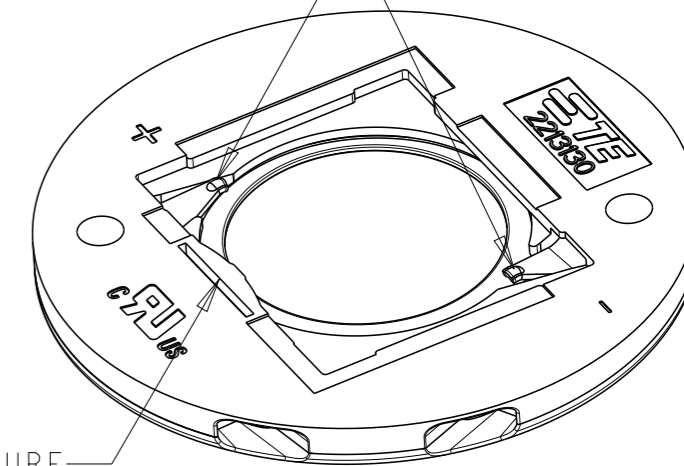
P	LTR	DESCRIPTION	DATE	DWN	APVD
B		ECR-15-006870	02MAY2015	KR	OL
C		ECR-15-018339	29DEC2015	KR	MvE
C1		ECR-16-001206	27JAN2016	KR	MvE
D		ECR-16-003236	02MAR2016	KR	MvE



M3 SCREW HOLES



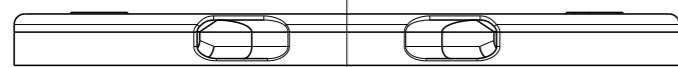
LED PRESSURE CONTACTS



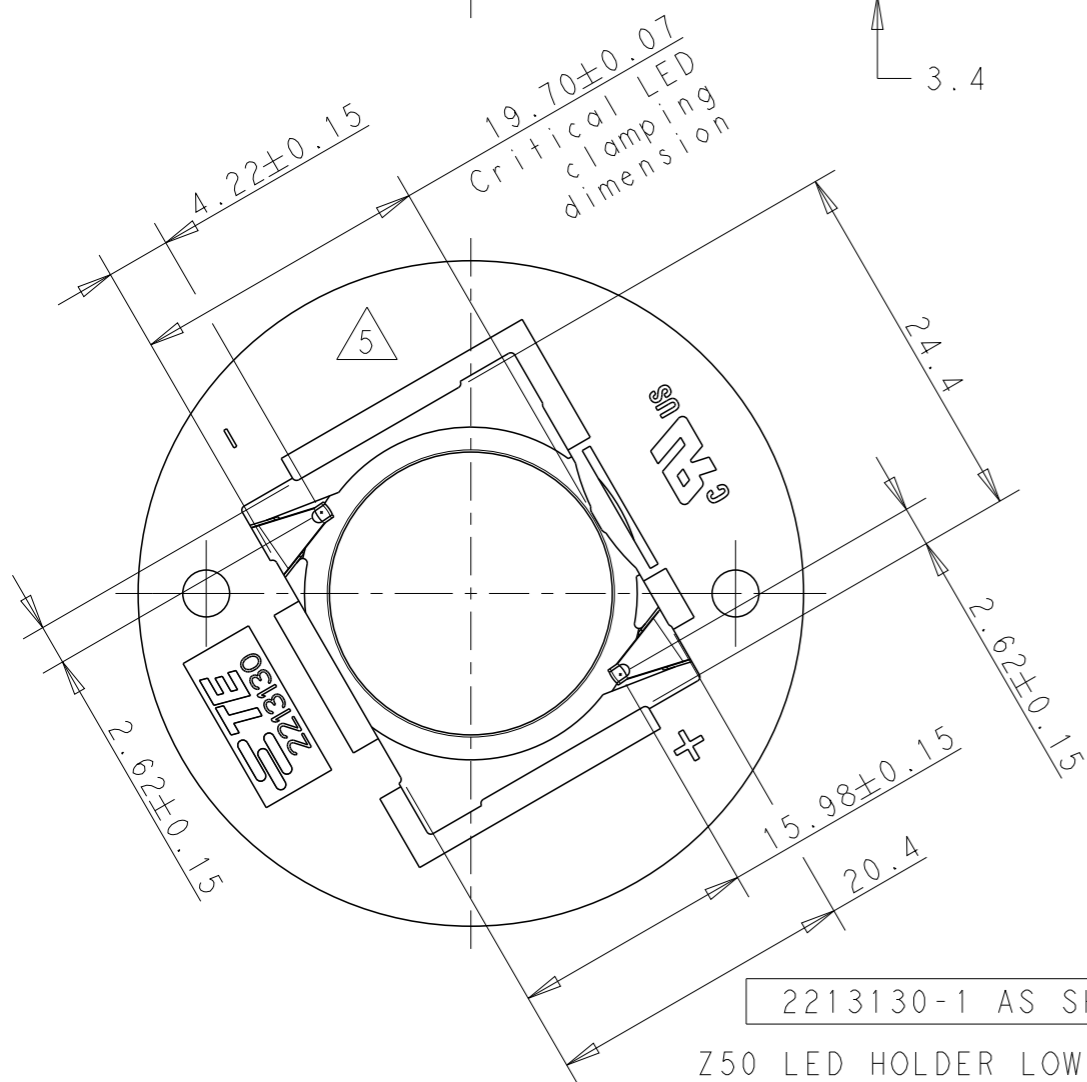
LED CLAMPING FEATURE

NOTES:

- MATERIALS:
HOUSING: GLASS FILLED PBT
COLOR: NATURAL/WHITE
CONTACTS: SILVER PLATED COPPER ALLOY
- FOR SOLID AND STANDARD WIRE AWG 22-18
- COMPLIES WITH DIRECTIVE 2002/95/EC (ROHS)
- M3 SCREW TO BE USED FOR MOUNTING
- DATE CODE YY-WW-D ANY WHERE EXCEPT OVER LOGO OR +/- SIGN.



3.4



2-2213130-1	Z50 LED HOLDER LOW PROFILE 2024	2x10 PIECES IN TRAY AND BOX 25 BOXES IN SHIPPING BOX
1-2213130-2	Z50 LED HOLDER STANDARD PROFILE 2024	2x10 PIECES IN TRAY AND BOX 25 BOXES IN SHIPPING BOX
1-2213130-1	Z50 LED HOLDER LOW PROFILE 2024	2x10 PIECES IN TRAY AND BOX 25 BOXES IN SHIPPING BOX
2213130-2	Z50 LED HOLDER STANDARD PROFILE 2024	5x4 PIECES IN TRAY 25 TRAYS IN SHIPPING BOX
2213130-1	Z50 LED HOLDER LOW PROFILE 2024	5x4 PIECES IN TRAY 35 TRAYS IN SHIPPING BOX
PART NO	DESCRIPTION	PACKAGING

THIS DRAWING IS A CONTROLLED DOCUMENT.

DWN: M.V.ESSEN 28AUG2013
CHK: M.V.ESSEN 28AUG2013
APVD: O.I.FIJNSE 28AUG2013

STE TE Connectivity

NAME: LUMAWISE Z50 LED HOLDER 2024

PRODUCT SPEC: 108-133008
APPLICATION SPEC: 114-32048

SIZE: A3 CAGE CODE: 00779 DRAWING NO: C-2213130 RESTRICTED TO: -

MATERIAL: - FINISH: - WEIGHT: -

CUSTOMER DRAWING SCALE: 2:1 SHEET: 1 OF 3 REV: D

THIS DRAWING IS UNPUBLISHED.

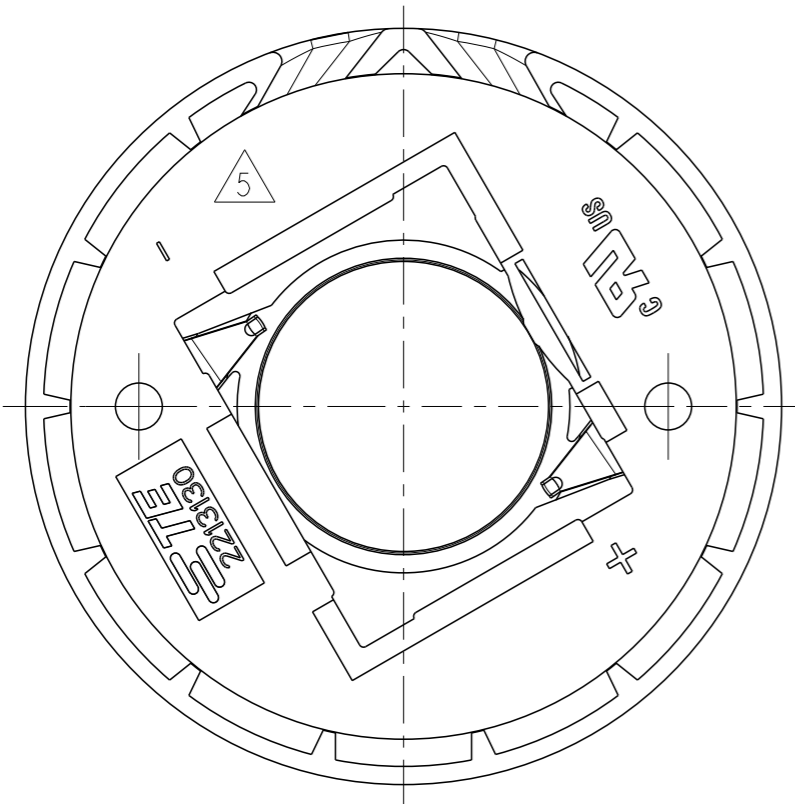
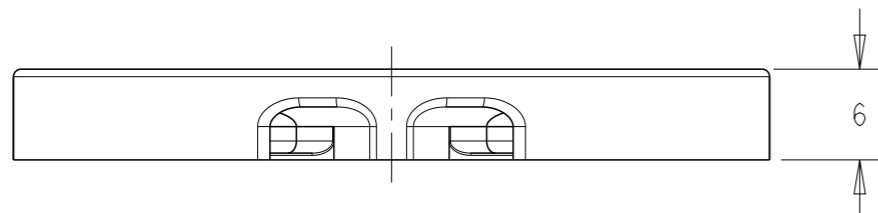
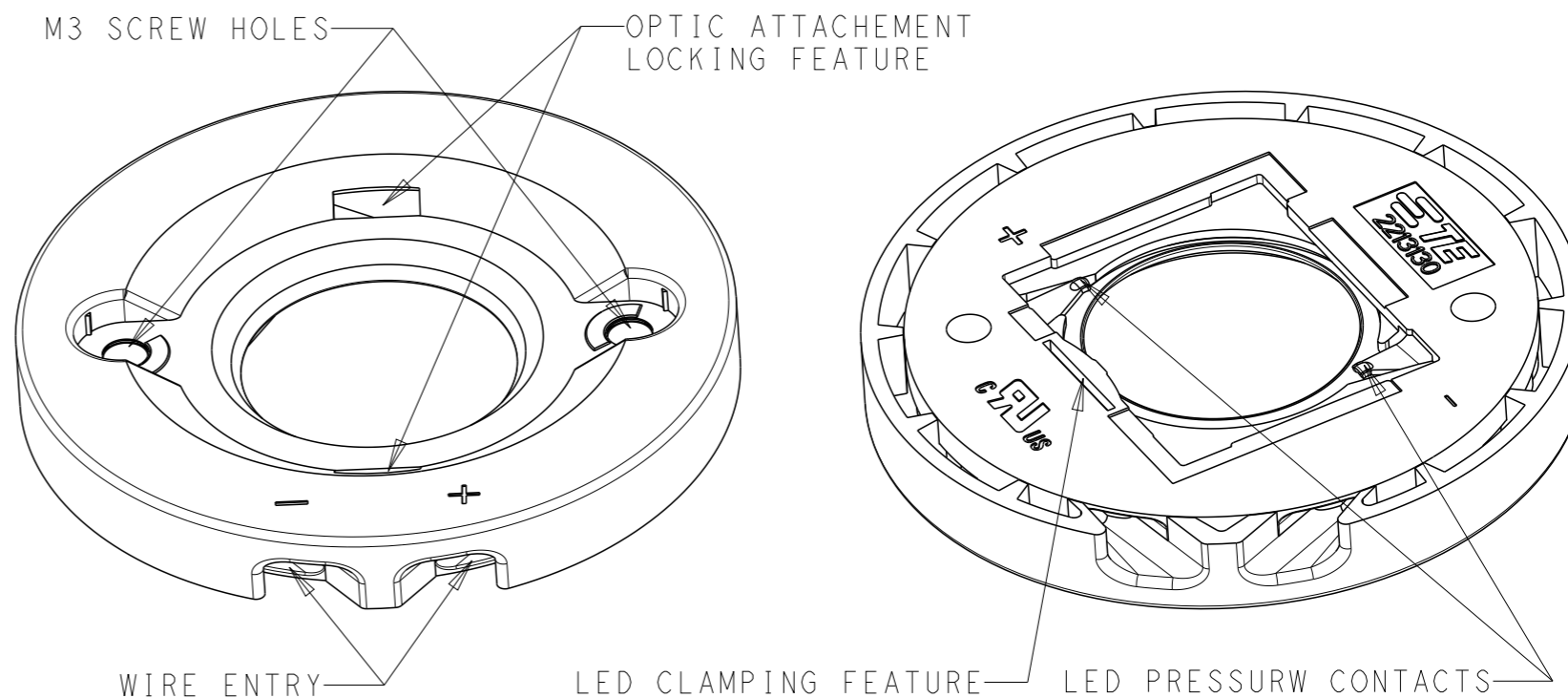
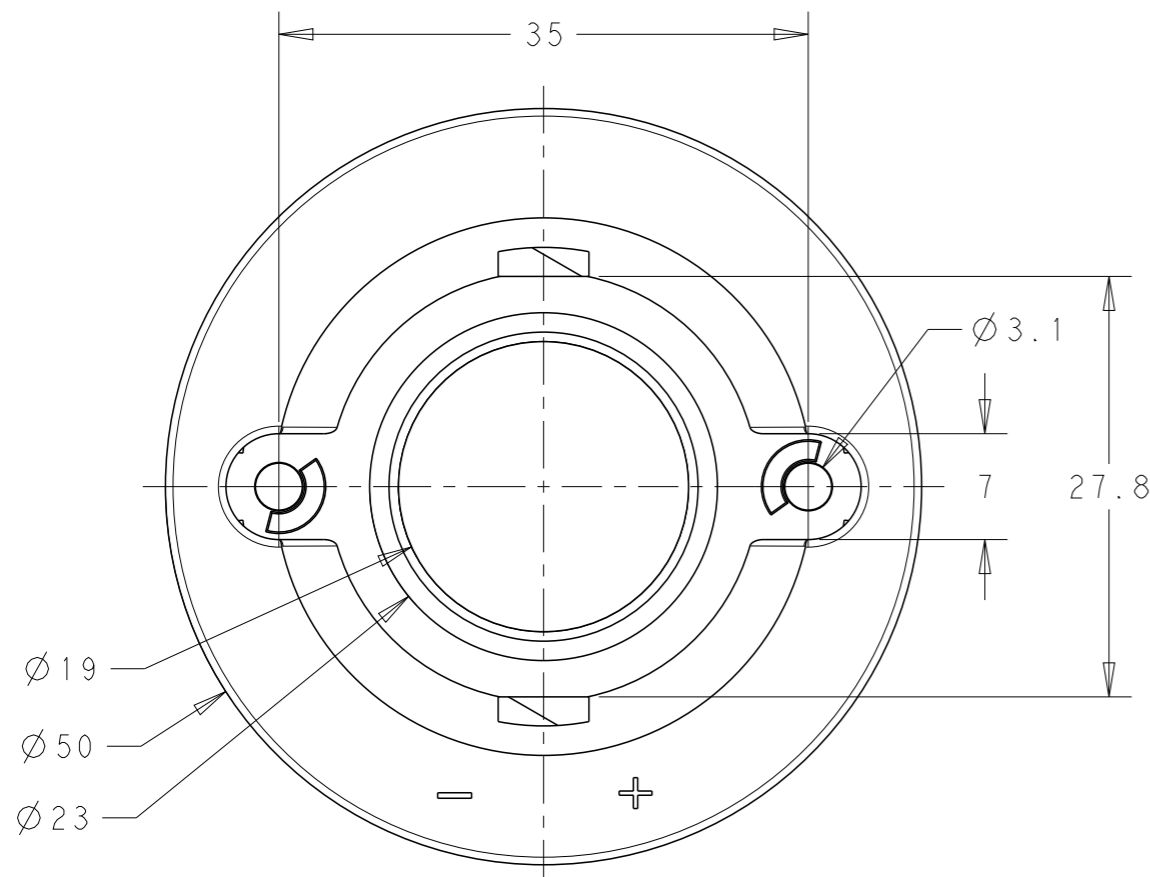
RELEASED FOR PUBLICATION

20

© COPYRIGHT 20 BY - ALL RIGHTS RESERVED.


REVISIONS

P	LTR	DESCRIPTION	DATE	DWN	APVD
-	-	SEE SHEET 1	-	-	-



2213130-2 AS SHOWN

Z50 LED HOLDER STANDARD PROFILE

THIS DRAWING IS A CONTROLLED DOCUMENT.		DWN M.V.ESSEN 28AUG2013	 TE Connectivity NAME LUMAWISE Z50 LED HOLDER 2024			
DIMENSIONS: mm		CHK M.V.ESSEN 28AUG2013				
TOLERANCES UNLESS OTHERWISE SPECIFIED:		APVD O.I.FIJNSE 28AUG2013				
0 PLC ±- 1 PLC ±- 2 PLC ±- 3 PLC ±- 4 PLC ±- ANGLES ±-		PRODUCT SPEC 108-133008				
MATERIAL		APPLICATION SPEC 114-32048	SIZE A3	CAGE CODE 00779	DRAWING NO C-2213130	RESTRICTED TO
-		WEIGHT	SCALE 2:1		SHEET 2 OF 3	REV D
-		CUSTOMER DRAWING				

4

3

2

1

THIS DRAWING IS UNPUBLISHED.

RELEASED FOR PUBLICATION

20

REVISIONS

© COPYRIGHT 20 BY -

ALL RIGHTS RESERVED.

P	LTR	DESCRIPTION	DATE	DWN	APVD
	-	SEE SHEET 1	-	-	-

THE SKETCH BELOW IS SHOWING THE NOMINAL LED COB DIMENSION TO MATCH WITH THE Z50 LED HOLDER 2024

FOR TECHNICAL DETAILS ABOUT A PROPER MATCH WITH A SPECIFIC LED COB ARRAY PLEASE CONTACT A REPRESENTATIVE AT TE-CONNECTIVITY

THIS DRAWING IS A CONTROLLED DOCUMENT.

DWN M.V.ESSEN 28AUG2013

CHK M.V.ESSEN 28AUG2013

APVD O.I.FIJNSE 28AUG2013

PRODUCT SPEC

108-133008

APPLICATION SPEC

114-32048

WEIGHT -

CUSTOMER DRAWING

STE

TE Connectivity

NAME LUMAWISE Z50 LED HOLDER 2024

-

SIZE CAGE CODE DRAWING NO RESTRICTED TO

A3 00779 C-2213130 -

SCALE 2:1 SHEET 3 OF 3 REV D

DIMENSIONS:

mm

TOLERANCES UNLESS OTHERWISE SPECIFIED:

0 PLC	±-
1 PLC	±-
2 PLC	±-
3 PLC	±-
4 PLC	±-
ANGLES	±-

MATERIAL

-

FINISH

-

1470-19 (3/13)