

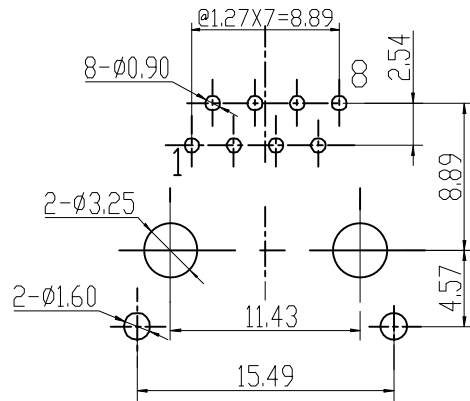
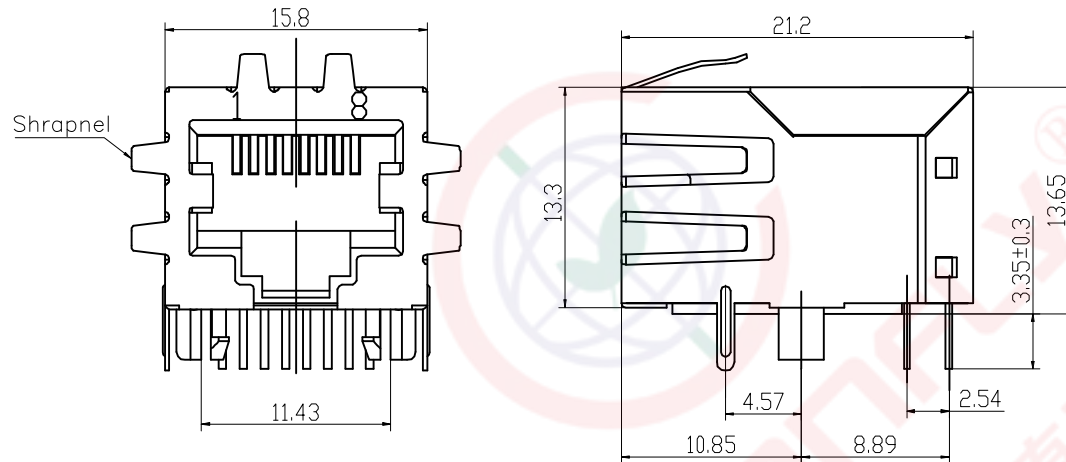
REV.	DESCRIPTION	DRAWN	CHECKED	APPROVED
A	NEW RELEASE	JLZ 06/08/16'		

NOTES:

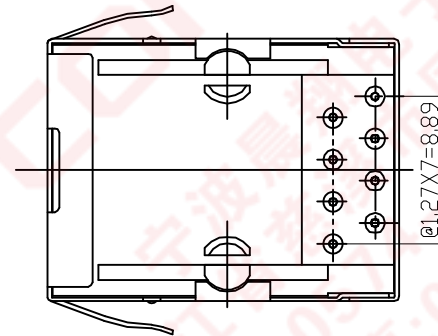
- ELECTRICAL CHARACTERISTICS:
 - CONTACT RESISTANCE: 20mΩ Max.
 - DIELECTRIC WITHSTANDING VOLTAGE: 500V AC(rms) FOR 1 MINUTE.
 - INSULATION RESISTANCE: 1000MΩ Min.
 - VOLTAGE RATING:125V.
 - CURRENT RATING:1.5A.
- ENVIRONMENT CHARACTERISTICS:
 - TEMPERATURE: -40°C~+85°C.
- MATERIALS
 - CONTACT MATERIAL: COPPER ALLOY.
 - CONTACT PLATING: GOLD.
 - INSULATOR MATERIALS: PBT OR NYLON BLACK.
- PRODUCT NUMBER CODE:

DS1128-04-X X X X X - X

- X: Shell Type
- X: W/O Shrapnel
- P: Housing Materials
- P: PBT
- 8: Contact Plating
- 8: Gold Flash
- B: Housing Color
- B: Black
- 8: No. Of Contacts
- 8: 8p8c
- S: Connector Type
- S: Socket



PCB LAYOUT
THICKNESS=1.6mm



GENERAL TOLERANCE		ANGLE TOLERANCE		PROJECTION		TITLE	PCB Jack 8 Positions W/ Full Shell Before 4.57mm	
X.	±0.60	X.	±5°	UNITS	mm			
.X	±0.38	.X	±3°	SHEET SIZE	A4	SERIES	DS1128-04 SERIES	
.XX	±0.25	.XX	±2°	晨翔电子有限公司 CONNFLY CONNFLY ELECTRONIC CO. LTD				
DRAWING TYPE		CUSTOMER						
SCALE	1:1	SHEET	1 OF 1					
DRAWING NO.		C-DS1128-04-XXXXX-X-A						