

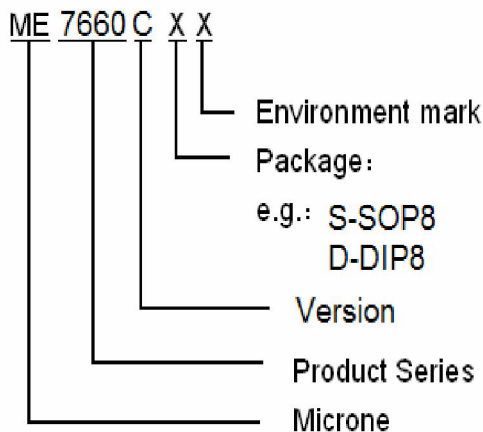
## ME7660C Charge Pump DC-DC Voltage Converter

**ME7660C** is a charge pump dc-to-dc voltage converter using AL-gate CMOS technology and optimization design. It converts a +2.5V to +10V input to a corresponding -2.5V to -10V output using only two external capacitors, eliminating inductors and their associated cost, size and EMI. The on-board oscillator operates at a nominal frequency of 10KHz. Operation below 10 KHz (for lower supply current applications) is possible by connecting an external capacitor from OSC to ground.

### Features

- Converts +5V Logic supply to  $\pm 5V$  ;
- Wide input voltage range: 2.5V~10V ;
- Efficient voltage conversion: 99.9% ;
- Good power efficiency: 98% ;
- Low power supply: 40uA @5V input ;
- Easy to use: only two external capacitors required ;
- Compatible with RS232 negative powersupply standard ;
- High ESD protection: up to 3kV ;
- No Dx diode needed for high voltage operation ;
- Package : SOP8, DIP8.

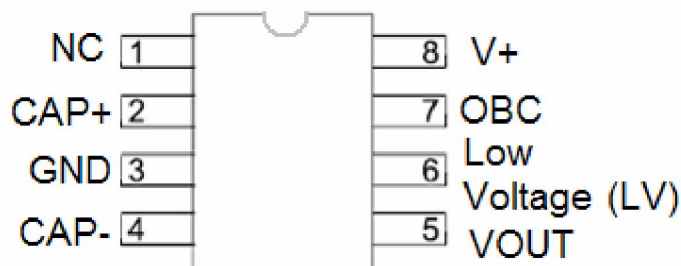
### Selection Guide



### Applications

- LCD Display Module ;
- Specially designed LCD display module ;
- Instrument product.

### Pin Configuration

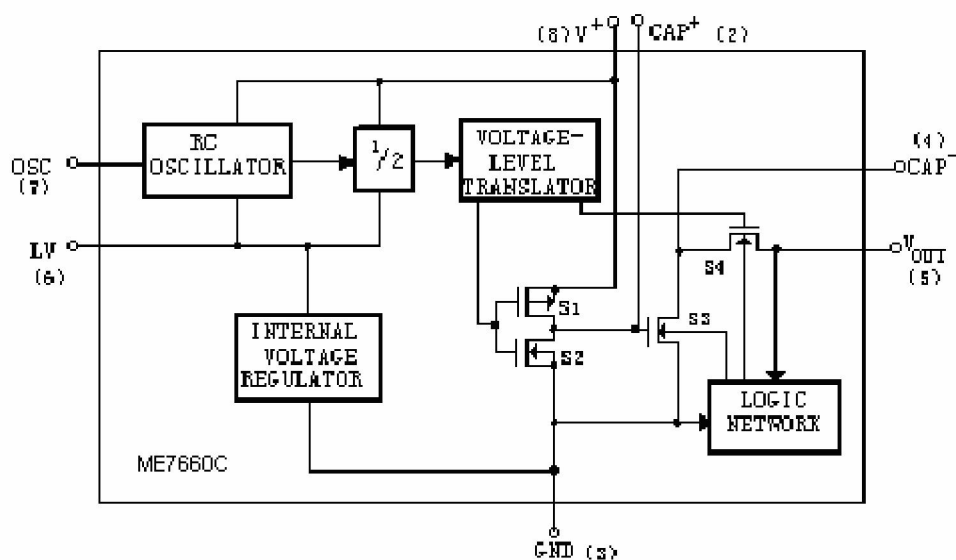


### Pin Assignment

ME7660C

PIN Number		PIN NAME	FUNCTION
SOP8	DIP8		
1	1	NC	No connection
2	2	CAP <sup>+</sup>	Connecting external capacitor(+) pin
3	3	GND	Ground pin
4	4	CAP <sup>-</sup>	Connecting external capacitor(-) pin
5	5	Vout	Voltage output pin
6	6	Low Voltage	Low voltage selection pin
7	7	OSC	Connecting oscillation capacitor pin
8	8	V <sup>+</sup>	Power supply pin

### Block Diagram



Block of function module in chip

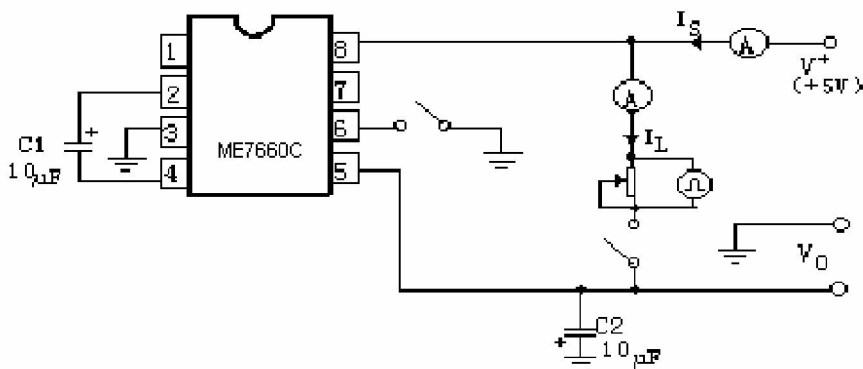
### Absolute Maximum Ratings

PARAMETER		SYMBOL	RATINGS	UNITS
Input voltage		$V_{IN}$	+10.5V	V
LV PIN input voltage		$V_{LX}$	-0.3 ~ ( $V^+ + 0.3$ ) (if $V^+ < 5.5V$ ) ( $V^+ - 5.5V$ ) ~ ( $V^+ + 0.3V$ ) (if $V^+ > 5.5V$ )	V
OSC PIN input voltage		$V_{OSC}$		
LV PIN input current		$I_{LV}$	20 (if $V^+ > 3.5V$ )	$\mu A$
Output Short Duration ( $V_{supply} = 5.5V$ )				
Continuous Total Power Dissipation ( $T_A = 75^\circ C$ )	SOP8	$P_d$	470	mW
	DIP8	$P_d$	730	mW
Operating Ambient Temperature		$T_{Opr}$	-40 ~ +85	
Storage Temperature		$T_{stg}$	-65 ~ +150	
Soldering temperature and time		$T_{solder}$	260 , 10s	

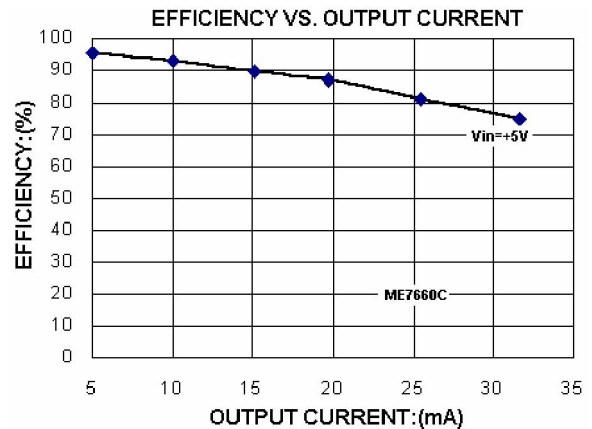
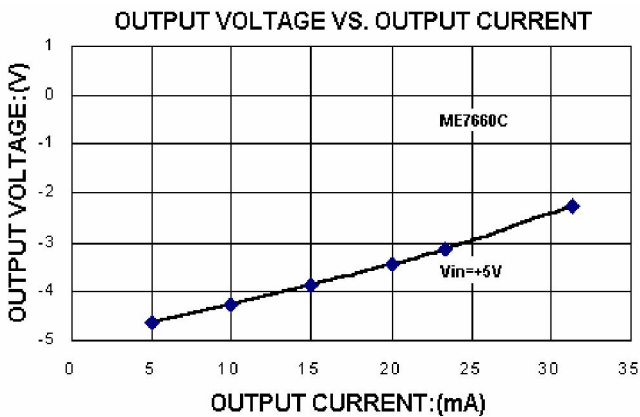
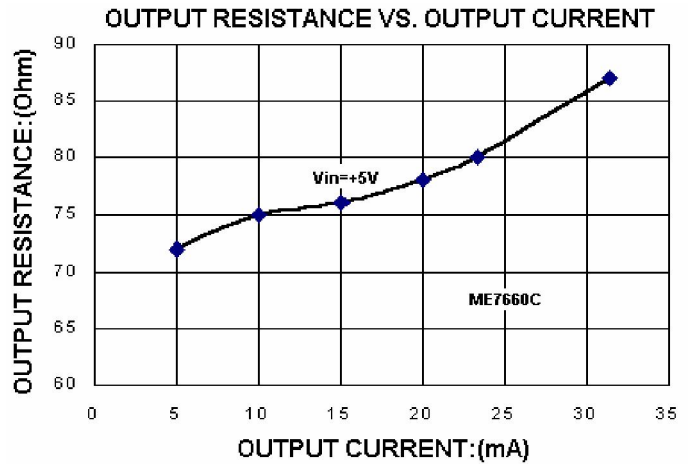
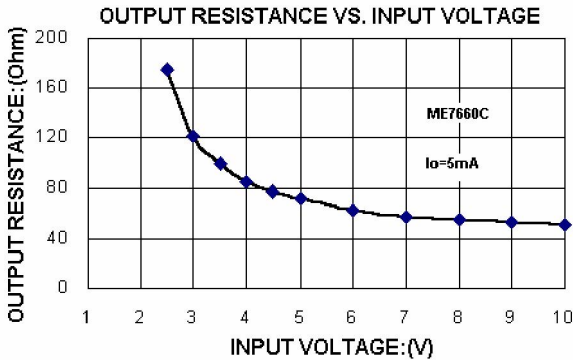
### Electrical Characteristics ( $V^+ = 5V, C_{OSC} = 0$ )

Symbol	Item	Conditions	Min	Typ	Max	Unit
$I^+$	Supply Current	$R_L = \infty$	—	40	100	$\mu A$
$V^+_H$	Supply Voltage, High	LV Open	3.5	—	10	V
$V^+_L$	Supply Voltage, Low	LV to GND	2.5	—	3.5	V
$R_{OUT}$	Output Resistance	$I_{OUT} = 20mA$ $T_A = 25^\circ C$		70		
		$I_{OUT} = 5mA$ $V^+ = 3V$ $T_A = 25^\circ C$		120		
$F_{OSC}$	Oscillator Frequency	Pin 7 open	—	10	—	kHz
$P_{EFF}$	Power Efficiency	$R_L = 5k\Omega$	95	98	—	%
$V_{OUT} E_{FF}$	Voltage Conversion Efficiency	$R_L = \infty$	98	99.9	—	%

### Test Circuits



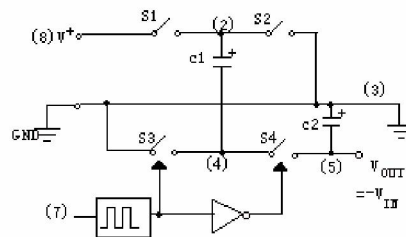
## Type Characteristics



## Operation

ME7660C together with two external capacitors C1, C2 complement a voltage Inverter. Capacitor C1 is charged to a voltage  $V^+$ , for the first half cycle when switches S1 and S3 are closed ( while switches S2 and S4 are open during this half cycle); During the second half cycle of operation, switches S2 and S4 are closed, with S1 and S3 open, thereby shifting capacitor C2 negatively to  $-V^+$ .

The voltage regulator portion of the chip is an integral part of the anti-latch-up circuitry. Its inherent voltage drop can degrade operation at low voltages. To improve low-voltage operation, the LV pin should be connected to GND, disabling the regulator. For supply voltages greater than 3.5V, the LV terminal must be left open to ensure latch-up-proof operation.



Charge Pump Voltage Converter operating process

## Theoretical Power Efficiency Considerations

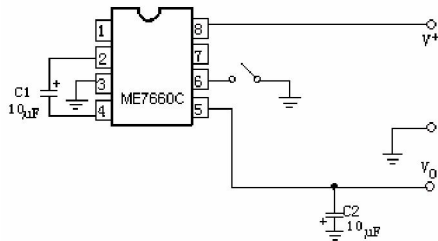
In theory, a capacitive charge pump can approach 100% efficiency if certain conditions are met:

- 1、 The drive circuitry consumes no power.
- 2、 The output switches have extremely low ON resistance and no offset when operation.
- 3、 The impedances of the pump and reservoir capacitors are negligible at the pump frequency.

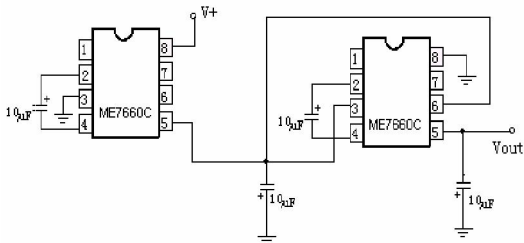
### Notes:

- 1、 Supply voltage should not exceed maximum rating;
- 2、 Do not connect LV terminal to GND for supply voltages greater than 3.5V;
- 3、 Do not short circuit the output to V<sup>+</sup> supply for voltages above 5.5V for extended periods;
- 4、 Polarized capacitors should be connected as the figure above.

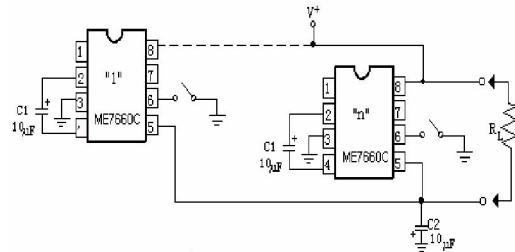
## Typical Application



Above figure is the basic application circuit to provide a negative supply from -2.5V~ -10V while a positive supply from +2.5V ~ +10V is available. When V<sup>+</sup>=+5V, the output resistance is about 70 Ω; The output voltage is -4V while the load current is 10mA.

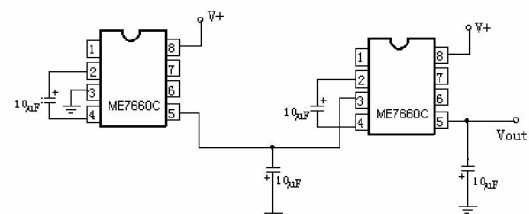


ME7660C may be cascaded as shown above to produce larger negative output voltage (-10V). However, The output resistance is approximately two of a single chip resistance.

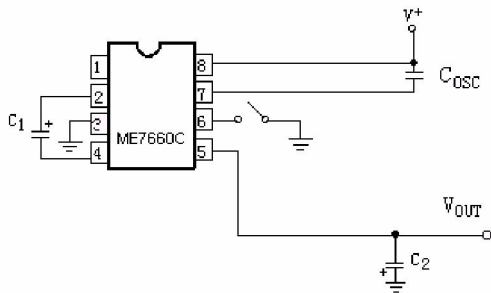


ME7660C may be paralleled to reduce output resistance (see the above figure)

$$R_{out} = R_{out}(\text{of ME7660C})/n(\text{number of devices})$$

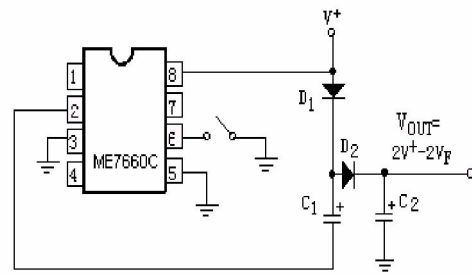


ME7660C may be cascaded as shown above to produce larger negative output voltage (-15V). However, The output resistance is approximately two of a single chip resistance.

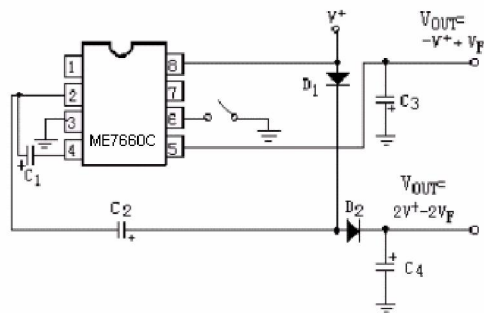


To increase the conversion efficiency, the oscillator frequency may be lowered by connecting a capacitor from pin 7 and pin 8 as shown above.

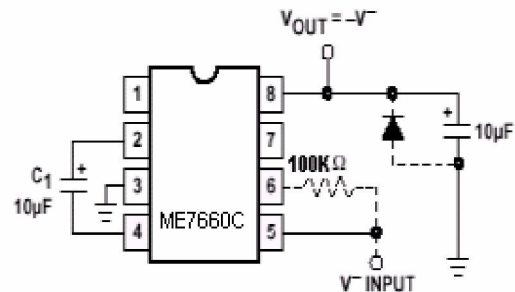
This reduces the switching losses. However, lowering the oscillator frequency will cause an undesirable increase in the impedance of the pump and reservoir capacitors. So, the values of C1 and C2 should be increased by the same factor that the



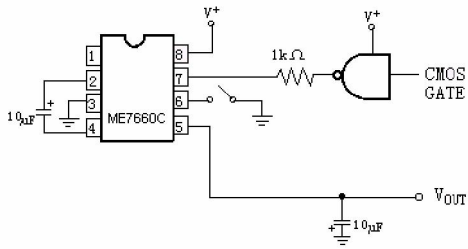
ME7660C may be applied to achieve positive voltage multiplication using the circuit shown in the above figure



In above figure, C1, C3 are the pump and reservoir capacitors respectively for the generation of the negative voltage; C2, C4 are the pump and reservoir capacitors respectively for the multiplied positive voltage. When +5V supply is provided, +9V and -5V can be generated.



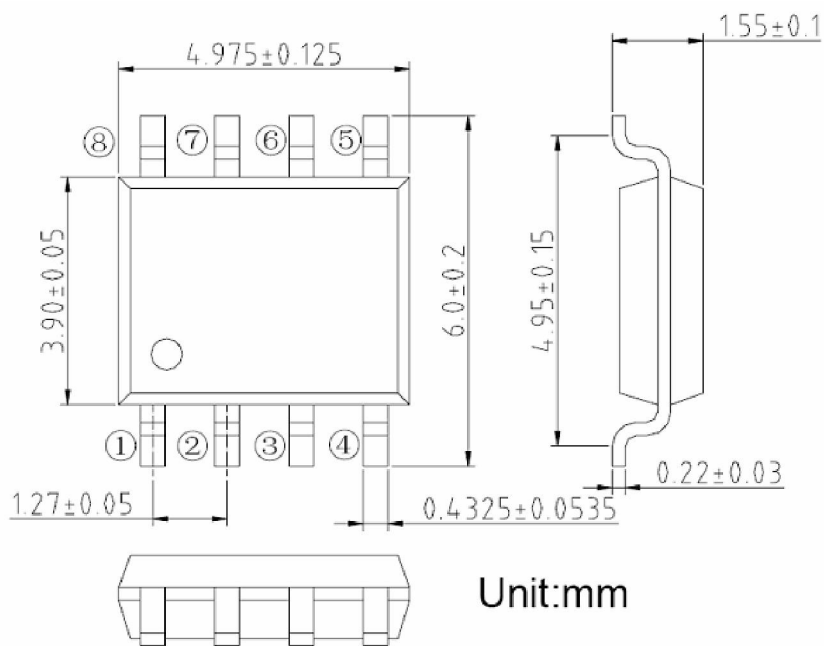
Since the switches that allow the charge pumping operation are bi-directional, the charge transfer can be performed backwards as easily as forwards. In the above figure, ME7660C transforming -5V to +5V. The only problem hear is that the internal clock and switch-drive section will not operate until some positive voltage has been generated. An initial inefficient pump, as show in left figure, could be used to start this circuit up, after which it will bypass the other (D1 and D2 in left figure would never turn on), or else the diode and resistor show dotted in above figure can used to "force" the internal regulator on.



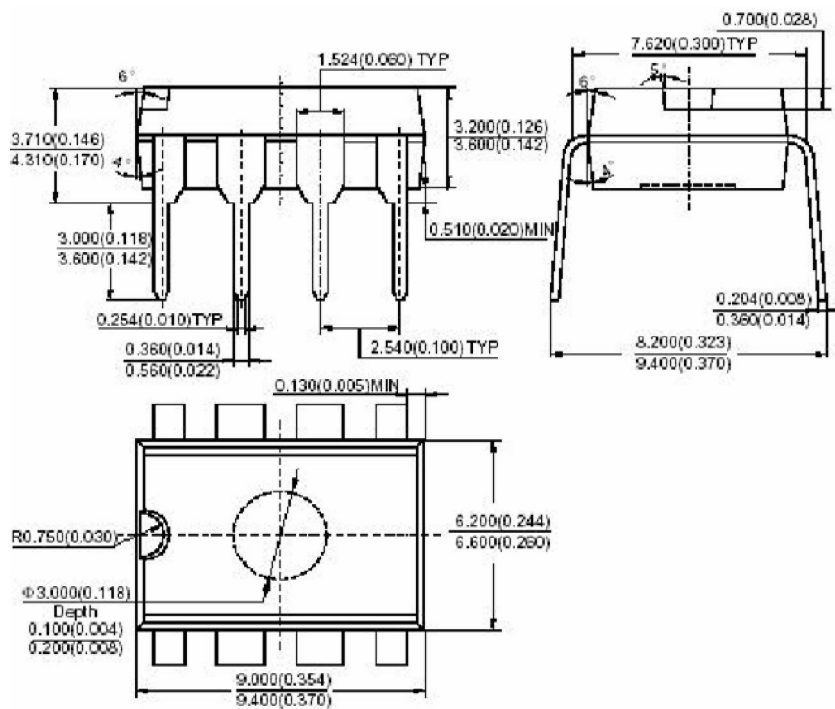
In some applications due to noise, it may be desirable to increase the oscillator frequency. This can be achieved by overdriving the oscillator from an external clock as shown in the above figure. The external clock output should connect a 1k resistor to prevent device latch-up. Besides, the pump frequency will be half of the clock frequency because of the internal circuit

Package Diomensions

SOP8



DIP8





- The information described herein is subject to change without notice.
- Nanjing Micro One Electronics Inc is not responsible for any problems caused by circuits or diagrams described herein whose related industrial properties, patents, or other rights belong to third parties. The application circuit examples explain typical applications of the products, and do not guarantee the success of any specific mass-production design.
- Use of the information described herein for other purposes and/or reproduction or copying without the express permission of Nanjing Micro One Electronics Inc is strictly prohibited.
- The products described herein cannot be used as part of any device or equipment affecting the human body, such as exercise equipment, medical equipment, security systems, gas equipment, or any apparatus installed in airplanes and other vehicles, without prior written permission of Nanjing Micro One Electronics Inc.
- Although Nanjing Micro One Electronics Inc exerts the greatest possible effort to ensure high quality and reliability, the failure or malfunction of semiconductor products may occur. The user of these products should therefore give thorough consideration to safety design, including redundancy, fire-prevention measures, and malfunction prevention, to prevent any accidents, fires, or community damage that may ensue.