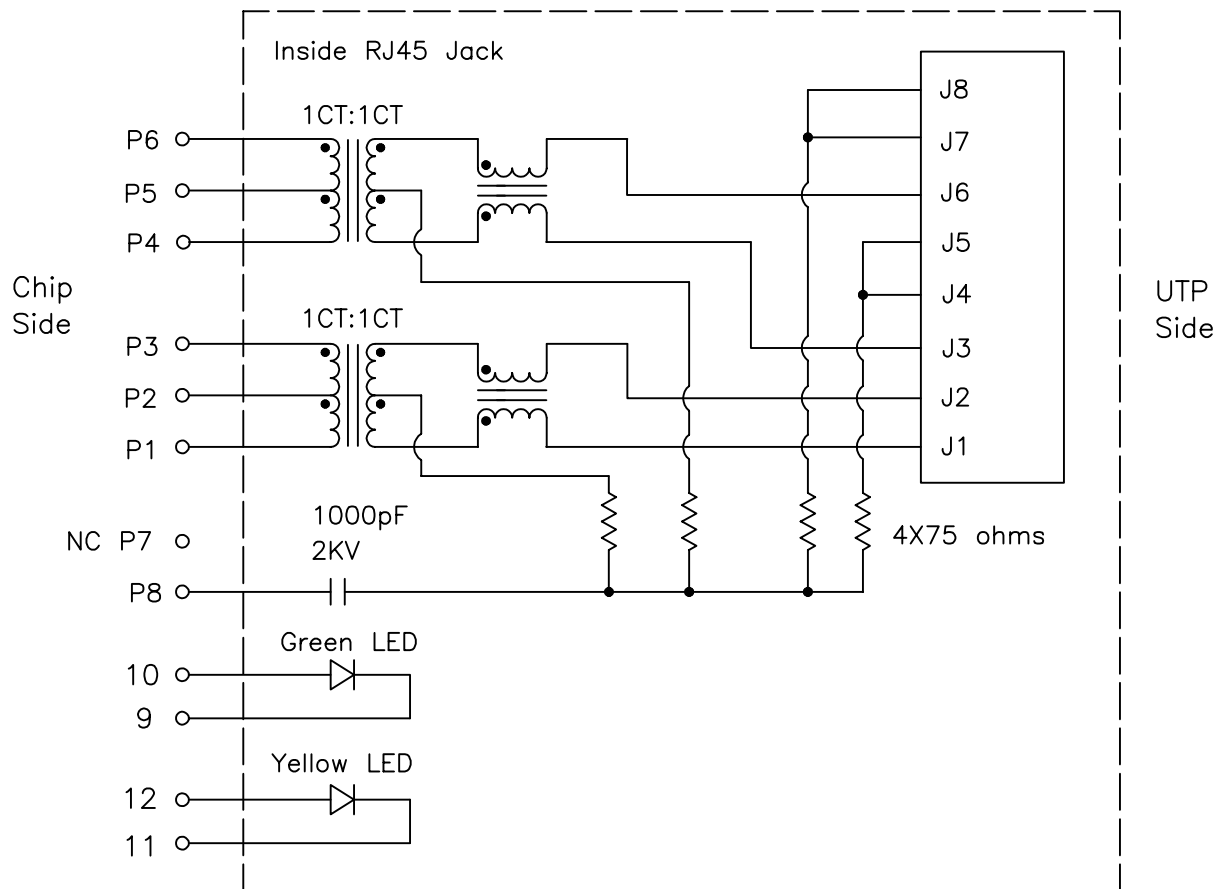


HR923128HE

Electrical Specification @25°C

- RoHS Compliant (PB Free)
- Isolation: 2250VDC 0.5mA 60Sec (UTP Side to Chip Side)
- OCL: 350uH Minimum @100KHz 100mV with 8mADC
- Turns Ratio: 1CT : 1CT ±5%
- Insertion Loss: -1.0dB Maximum @1MHz ~ 100MHz
- Return Loss: -18dB Minimum @1MHz ~ 30MHz
 - 14dB Minimum @30MHz ~ 60MHz
 - 12dB Minimum @60MHz ~ 80MHz
- Common Mode Rejection: -30dB Minimum @1MHz ~ 100MHz
- Crosstalk: -30dB Minimum @1MHz ~ 100MHz

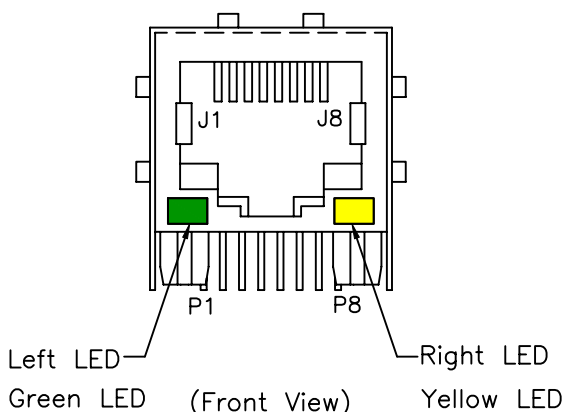
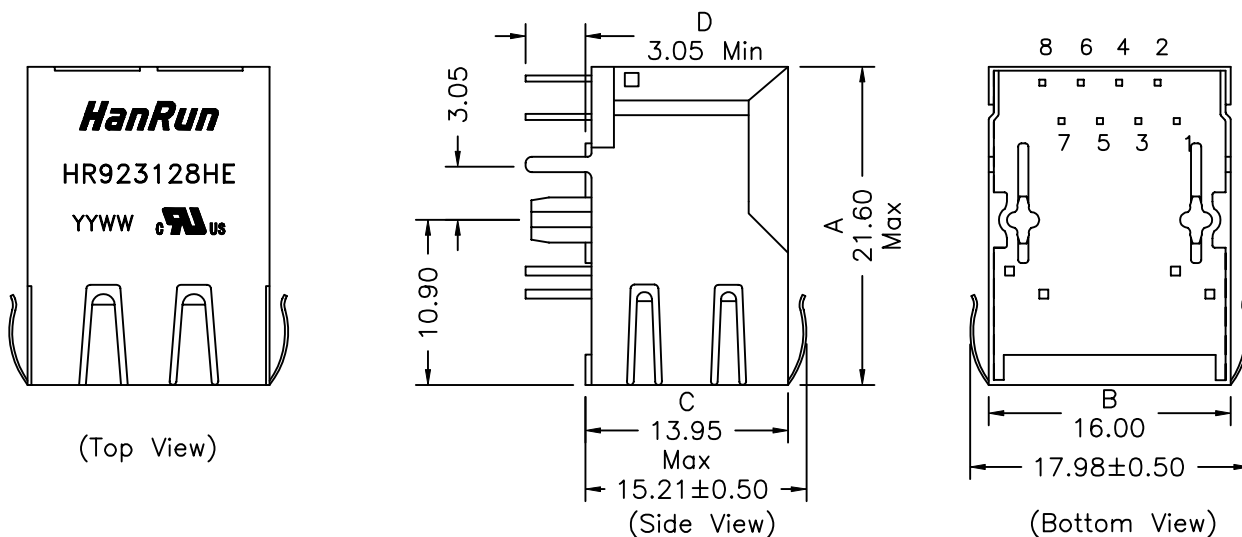
Schematics



HR923128HE

- RoHS Compliant (PB Free)
- Meets or Exceeds IEEE802.3 standards including 350uH Min OCL with 8mADC
- High performance for EMI suppression, Crosstalk, Return Loss and Consistent Electrical
- Minimum 2250VDC isolation per IEEE802.3 requirement
- Minimize PCB space and Simplify PCB Layout
- Less magnetic components to be placed on PCB, higher reliability and yields
- UL Recognized Component: File # E330599

Mechanical Dimensions:



Standard LED	Wavelength	Forward V (Min/Max)	Forward A	Type
Green	568nm	1.8v/2.8v	20mA	squareness
Yellow	585nm	1.8v/2.8v	20mA	squareness

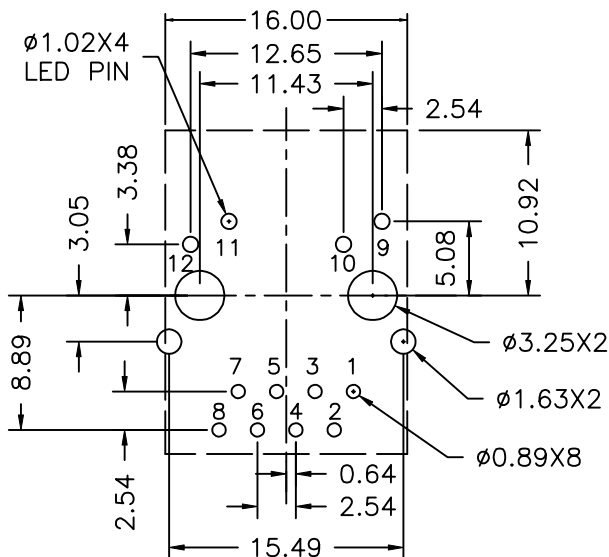
Dimensions in mm

Unless otherwise specified, Tolerance: .xx ±0.25

REV.: 00

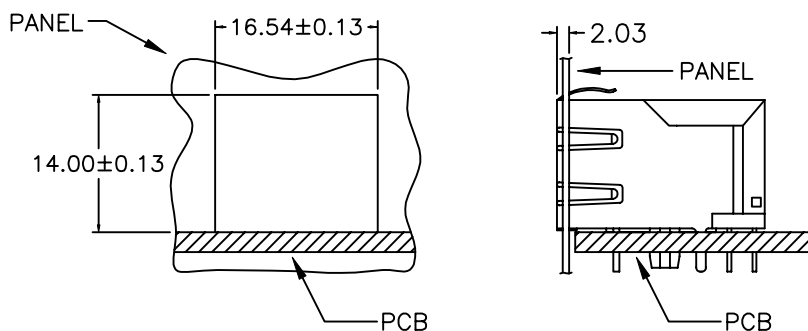
HR923128HE

PCB Layout:



Recommended PCB layout (Component Side View)
All dimension tolerance are ± 0.08 unless otherwise specified

Suggested Panel Cutout:



SUGGESTED PANEL OPENING

Dimensions in mm

Unless otherwise specified, Tolerance: .xx ± 0.25

REV.: 00

HR923128HE

Material Specification:

Housing: PA66 GF Black UL94V-0
Shield: 30u" Nickel over 0.20mm Thickness Brass
Insert: PBT GF Black UL94V-0
Phosphor Bronze 0.35mm Thickness
Plating Area, 30u" gold over, 50u" nickel
Solder Area, 100u" tin over, 50u" nickel

Mechanical Performance:

Mating force: 5 lbs Maximum
Unmating force: 5 lbs Maximum
Plug to Jack Retention force: 20 lbs Minimum
Operating life: 750 Cycles Minimum

Operating and Storage Temperature:

Operating Temperature Range: -40°C ~ +85°C
Storage Temperature Range: -40°C ~ +85°C