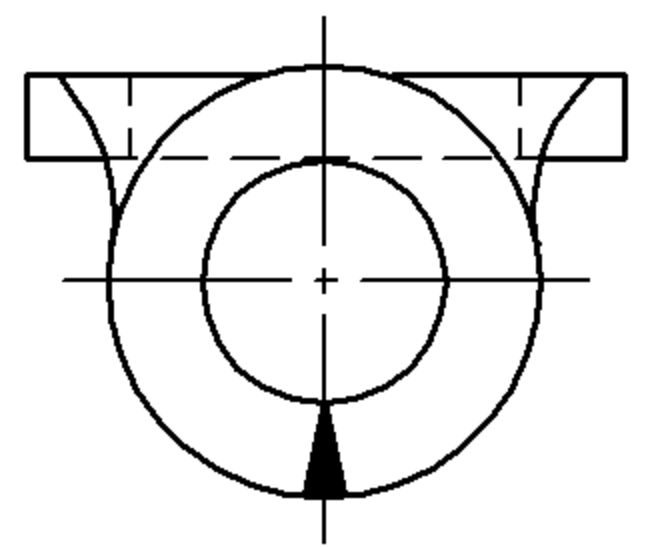
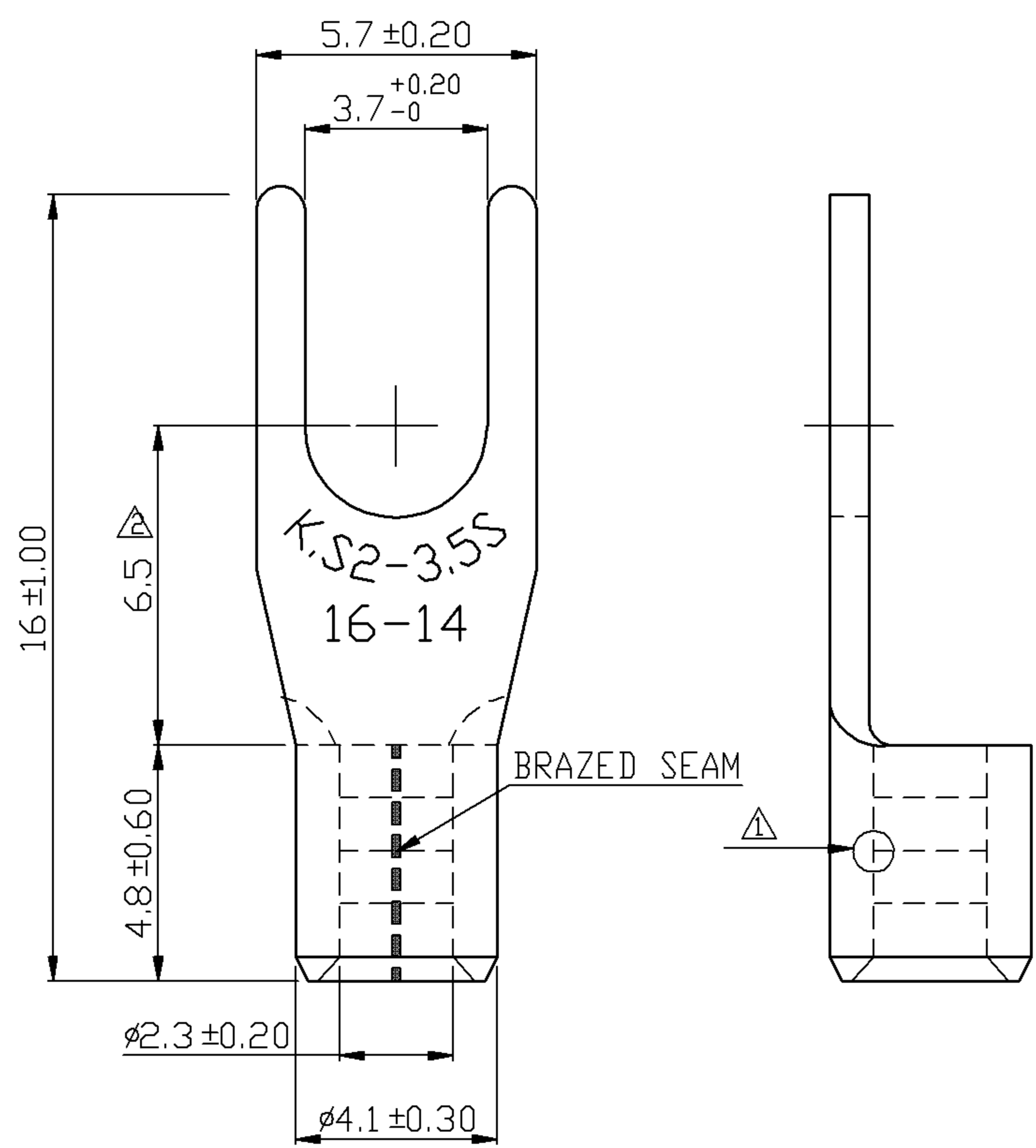


A B C D E F G H

REV	DESCRIPTION	DATE
-----	-------------	------

△	RDK-96036	張馨尹 2008/01/25
△	RDK-97127	謝婉如 2008/09/16



NOTE :

- MAXIMUM ELECTRIC CURRENT :

A.W.G.	16	14	
AMP.	18	30	
- WIRE RANGE : 16-14 A.W.G. (1.5-2.5 mm²)
- SURFACE TREATMENT : TIN PLATED
- THICKNESS : 0.80 mm

Tolerance Unless Otherwise Specified	
0 > 6 mm ± 0.20	ANGLE
6 > 18 mm ± 0.30	0° > ° REF ±
18 > 30 mm ± 0.40	° > ° ±
30 > 75 mm ± 0.50	° > ° ±

NAME	NON-INSULATED SPADE TERMINALS				UNIT	mm	
PART NO.	SNBS2-3.7	MATERIAL	COPPER		APPROVE		
NUMBER	KT-94443-C	SCALE	SHEET	PAGE	CHECKED		
DATE	2008/01/25	5/1	1-2	10F2	DRAWN	張馨尹	

KST. K.S. TERMINALS INC.

A B C D E F G H