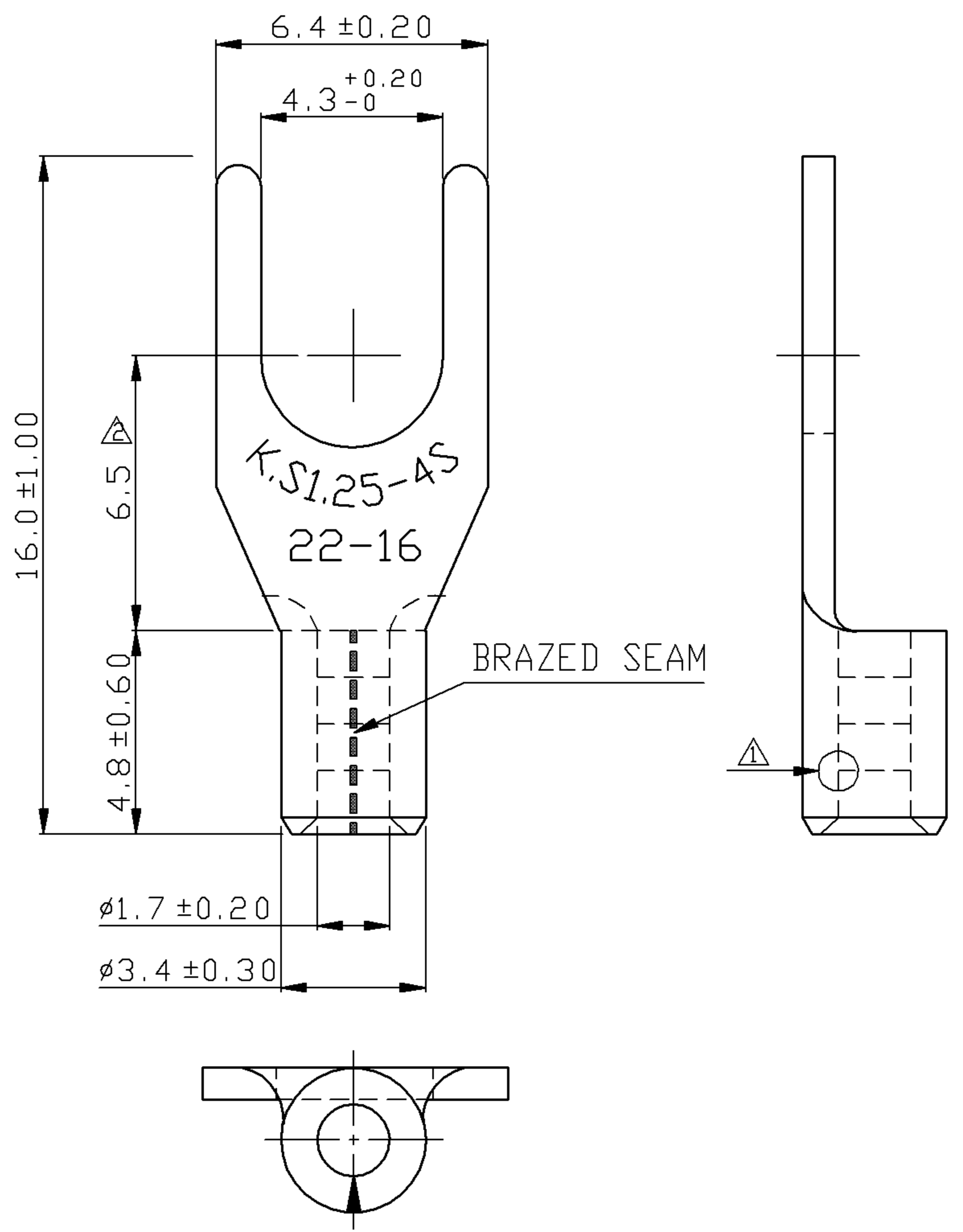


A B C D E F G H

REV	DESCRIPTION	DATE
-----	-------------	------

△ RDK-96036 張馨尹 2008/01/22  
 △ RDK-97127 謝婉如 2008/09/16



NOTE :  
 1. MAXIMUM ELECTRIC CURRENT : 

A.W.G.	22	20	18	16
AMP.	9	12	17	18

  
 2. WIRE RANGE : 22-16 A.W.G. ( 0.5-1.5 mm<sup>2</sup> )  
 3. SURFACE TREATMENT : TIN PLATED  
 4. THICKNESS : 0.75 mm

Tolerance Unless Otherwise Specified	
0 > 6 mm ± 0.20	ANGLE
6 > 18 mm ± 0.30	0° > ° REF ±
18 > 30 mm ± 0.40	° > ° ±
30 > 75 mm ± 0.50	° > ° ±

NAME	NON-INSULATED SPADE TERMINALS				UNIT	mm	
PART NO.	SNBS1-4	MATERIAL	COPPER	APPROVE			
NUMBER	KT-94435-C	SCALE	SHEET PAGE	CHECKED			
DATE	2008/01/22	5/1	1-2 10F2	DRAWN	張馨尹		

**KST. K.S. TERMINALS INC.**

A B C D E F G H