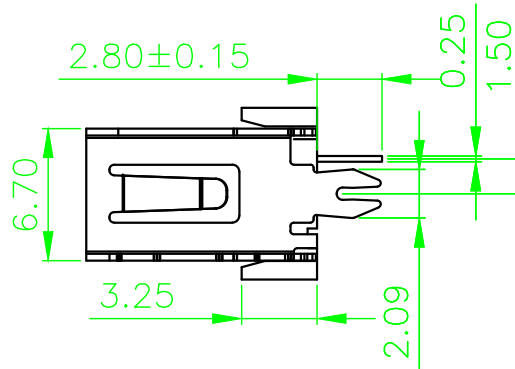
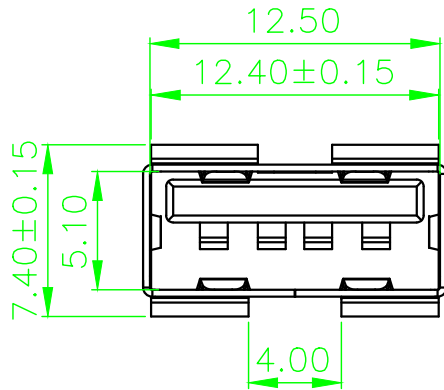
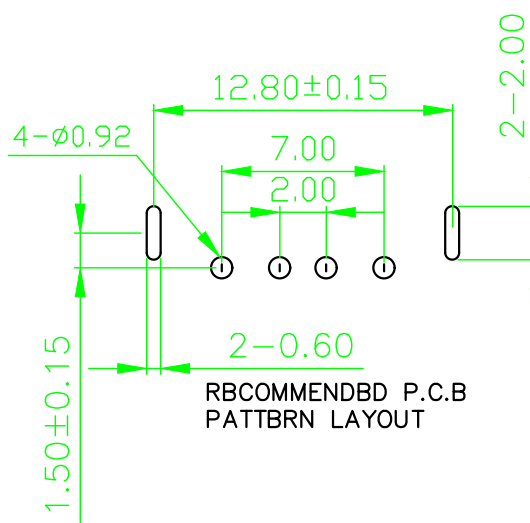
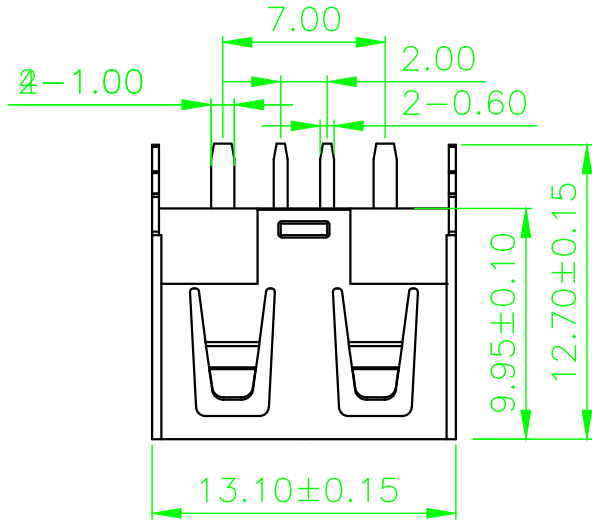


Parts Drawing

REVISIONS

SYM	ECN No.	MODIFICATION	DATE	ISSUED



Note:

1.Material:

- 1.1,Housing: High temperature thermoplastic with/black G/F,UL94v-0
- 1.2,Contact: copper alloy,t=0.25mm
- 1.3,Shell: copper/Ferroalloy alloy,t=0.30mm

2.Specification:

- 2.1,Current rating:1.5A Max.
- 2.2,Dielectric withstanding voltage: 100 V(ac) for 1 min.
- 2.3,Contact resistance: 30 mΩ Max.
- 2.4,Insulation resistance: 100 MΩ Min.
- 2.5,Total mating force: 3.57 Kgf Max.
- 2.6,Total unmating force: 1.0 Kgf Min.

3.Finish:

- 3.1,Contact: Plated Golg in Mating Area:
Tin On Solder Talls
Shell: Nickel Plating

4.Environmental:

- 4.1,Temperature range: -55°C~85°C

PART ON:

919-56XAXXX1Y2XX

- 电镀规格: 02, 镀金1u" 04, 镀金3u" 07, 镀金15u" 08, 镀金30u"
- 端子材质: 1, 青铜 2, 磷铜
- 端子规格: D, 90度 Y, 180度 S, SMT贴板
- 塑胶形态: 1, 6.2有耳 6.6.2无耳
- 塑胶颜色: 01, 白色 02, 黑色 03, 本色
- 塑胶材质: 1, PBT 2, LCP 3, PA9T 4, PPA 5, PA6T
- 对插方向: A, 正向 B, 反向
- 外壳材质: 1, 铁壳 2, 铜壳
- 插口类型: 5, 有边 6, 无边
- 外壳脚型: 1, 前两脚 2, 后两脚 3, 四脚 4, 无脚 5, 鱼叉脚
- 类别: E款

1	919-561A1011Y102	5	
2		6	
3		7	
4		8	

DRAWN		jt 深圳市精拓金电子有限公司			
CHECKED		TITLE		PART NO.	
APPROVED		USB AF 大电流10.0短体 180° 鱼叉脚无边		SEE PART ON	
				DRAWING NO.	
				R919561A1011Y102	
	UNIT	TOLERANCE		SCALE	SHEET
	mm	.XXX±.10, .XX±.25, .X±.38, ANG±5°		1:1	1 OF 1
		SIZE	REV.		
		A4	X1		