

RoHS

REVISIONS

SYM	ECN No.	MODIFICATION	DATE	ISSUED

Note:

1. Material:

- 1.1, Housing: High temperature thermoplastic with/black g.f, UL94v-0
- 1.2, Contact: copper alloy, t=0.25mm
- 1.3, Shell: copper/Ferroalloy alloy, t=0.30mm

2. Specification:

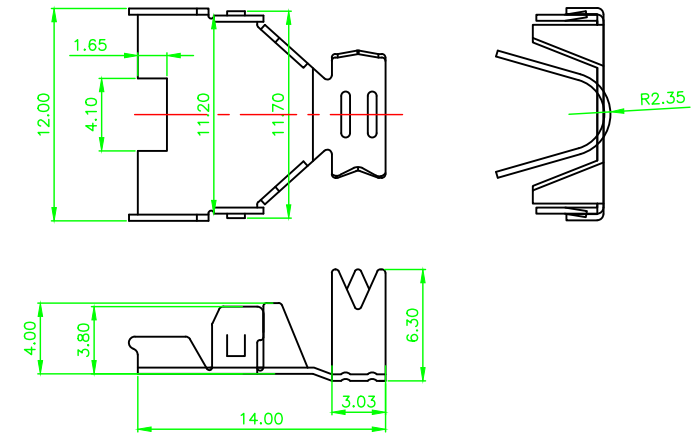
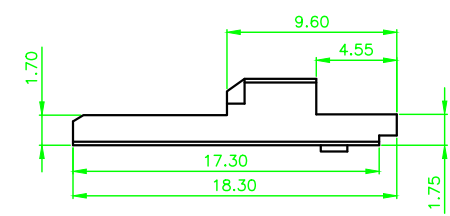
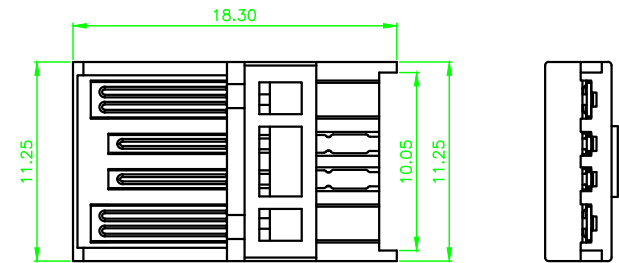
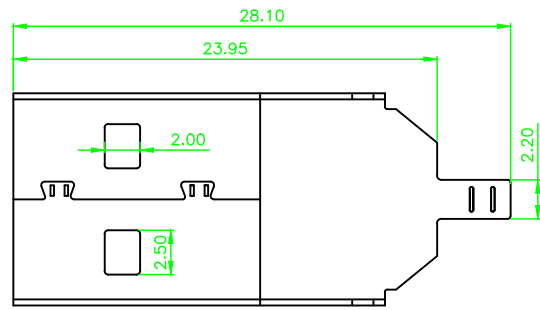
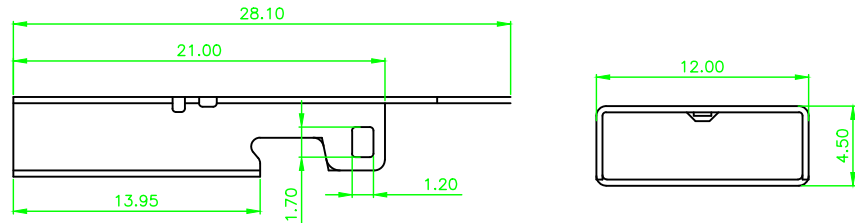
- 2.1, Current rating: 3A Max.
- 2.2, Dielectric withstanding voltage: 100 V(ac) for 1 min.
- 2.3, Contact resistance: 30 mΩ Max.
- 2.4, Insulation resistance: 100 MΩ Min.
- 2.5, Total mating force: 3.57 Kgf Max.
- 2.6, Total unmating force: 1.0 Kgf Min.



3. Finish:

- 3.1, Contact: Plated Gold in Mating Area:  
Tin On Solder Tails
- Shell: Nickel Plating

4. Environmental:

- 4.1, Temperature range: -55°C~85°C



DRAWN		 <b>深圳市精拓金电子有限公司</b>				
CHECKED						TITLE
APPROVED		USB AM 大电流三件套 28.10mm		DRAWING NO.		
 3rd ANGLE PROJECTION	UNIT	TOLERANCE	SCALE	SHEET	SIZE	REV.
	mm	.XXX±.10, .XX±.15, .X±.25, ANG±1°	1:1	1 OF 1	A4	X1