



Photocopier

Product Data Sheet

4N35/ 4N37

(M, S, S-TA1)

Spec No.: DS-70-99-0012

Effective Date: 12/13/2011

Revision: C

LITE-ON DCC

RELEASE

BNS-OD-FC001/A4

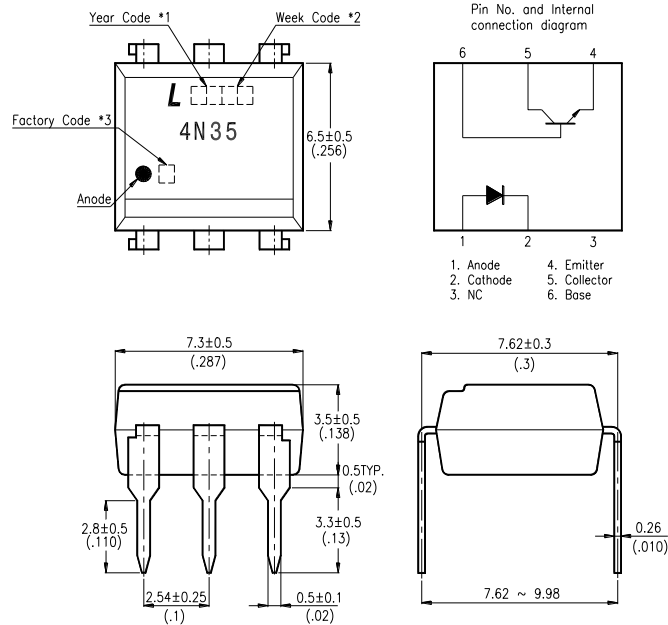


FEATURES

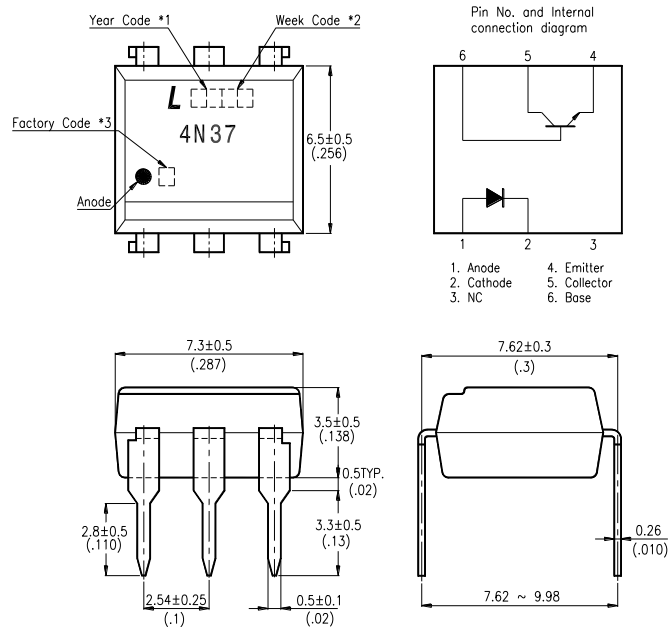
- * High current transfer ratio
(CTR : MIN. 100% at $I_F = 10\text{mA}$, $V_{CE} = 10\text{V}$)
- * Response time
(t_{on} : TYP. $3\mu\text{s}$ at $V_{CC} = 10\text{V}$, $I_C = 2\text{mA}$, $R_L = 100\Omega$)
- * Input-output isolation voltage
4N35 series : $V_{iso} = 3,550\text{Vrms}$
4N37 series : $V_{iso} = 1,500\text{Vrms}$
- * Dual-in-line package :
4N35, 4N37
- * Wide lead spacing package :
4N35M, 4N37M
- * Surface mounting package :
4N35S, 4N37S
- * Tape and reel packaging :
4N35S-TA1, 4N37S-TA1
- * Safety approval
UL& cUL, VDE, FIMKO, CQC approved
- * RoHS compliant

OUTLINE DIMENSIONS

4N35 :



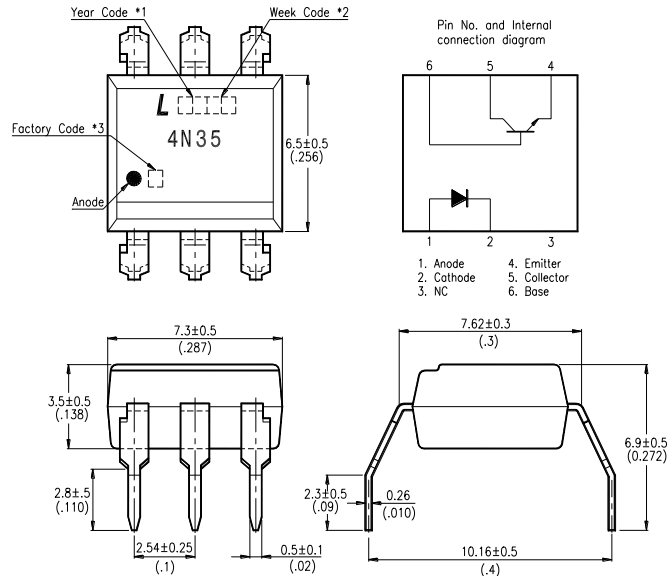
4N37 :



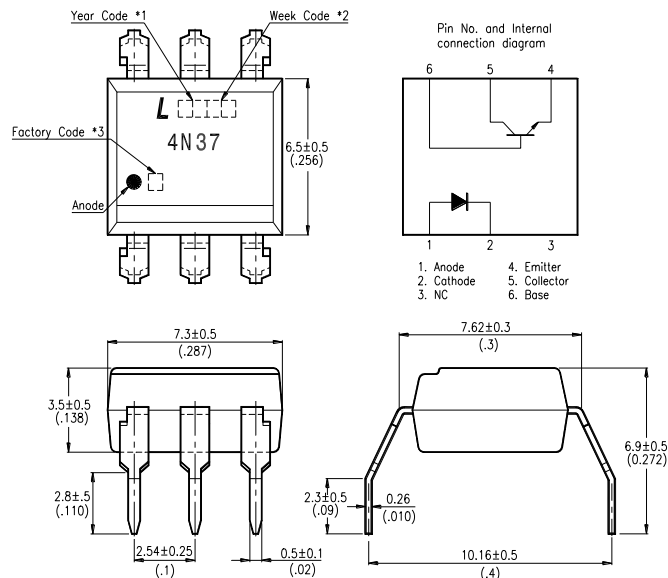
- *1. Year date code.
- *2. 2-digit work week.
- *3. Factory identification mark shall be marked
(Y : Thailand, X : China-TJ, W : China-CZ)

OUTLINE DIMENSIONS

4N35M :



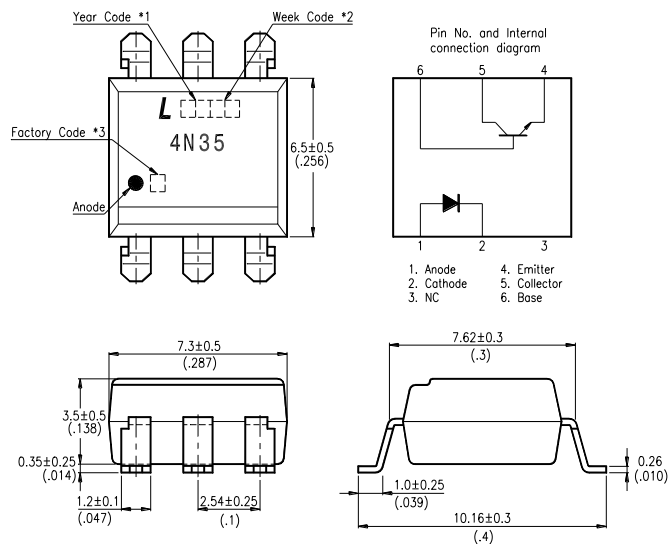
4N37M :



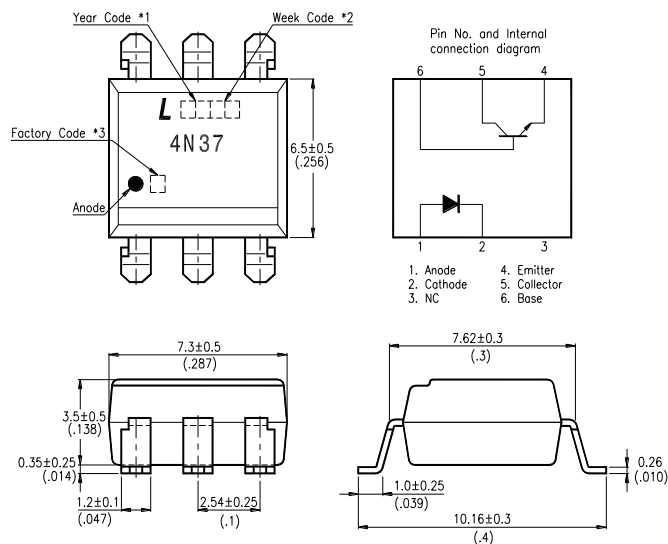
- *1. Year date code.
- *2. 2-digit work week.
- *3. Factory identification mark shall be marked
(Y : Thailand, X : China-TJ, W : China-CZ)

OUTLINE DIMENSIONS

4N35S :



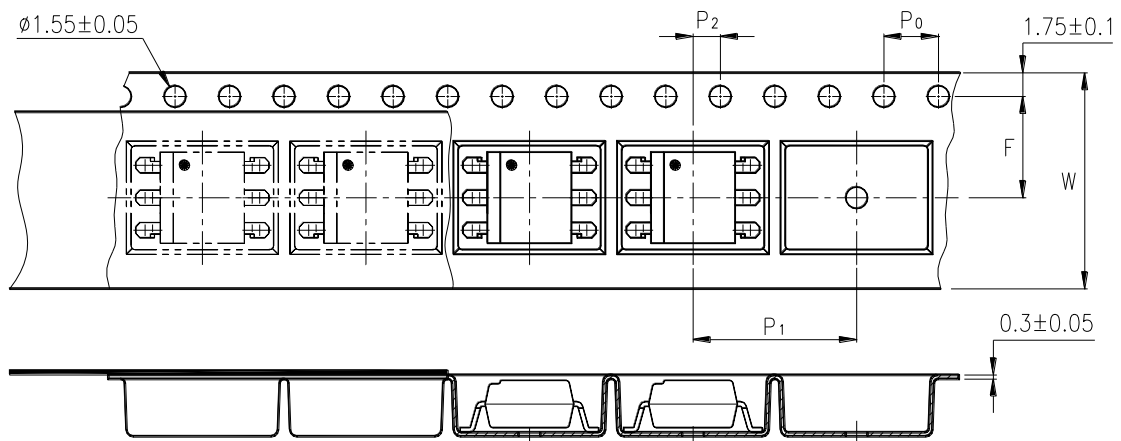
4N37S :



- *1. Year date code.
- *2. 2-digit work week.
- *3. Factory identification mark shall be marked
(Y : Thailand, X : China-TJ, W : China-CZ)

TAPING DIMENSIONS

4N35S-TA1 , 4N37S-TA1 :



Description	Symbol	Dimensions in mm (inches)
Tape wide	W	16 ± 0.3 (.63)
Pitch of sprocket holes	P ₀	4 ± 0.1 (.15)
Distance of compartment	F	7.5 ± 0.1 (.295)
Distance of compartment to compartment	P ₁	2 ± 0.1 (.079)
Distance of compartment to compartment	P ₂	12 ± 0.1 (.472)

ABSOLUTE MAXIMUM RATING

(Ta = 25°C)

PARAMETER		SYMBOL	RATING	UNIT
INPUT	Forward Current	I _F	60	mA
	Reverse Voltage	V _R	6	V
	Power Dissipation	P	100	mW
OUTPUT	Collector - Emitter Voltage	V _{CEO}	30	V
	Emitter - Collector Voltage	V _{ECO}	7	V
	Collector - Base Voltage	V _{CBO}	70	V
	Collector Current	I _C	100	mA
	Collector Power Dissipation	P _C	300	mW
Total Power Dissipation		P _{tot}	350	mW
*1 Isolation Voltage	4N35 series	V _{iso}	3550	V _{rms}
	4N37 series		1500	
Operating Temperature		T _{opr}	-55 ~ +100	°C
Storage Temperature		T _{stg}	-55 ~ +150	°C
*2 Soldering Temperature		T _{sol}	260	°C

*1. AC For 1 Minute, R.H. = 40 ~ 60%

Isolation voltage shall be measured using the following method.

- (1) Short between anode and cathode on the primary side and between collector, emitter and base on the secondary side.
- (2) The isolation voltage tester with zero-cross circuit shall be used.
- (3) The waveform of applied voltage shall be a sine wave.

*2. For 10 Seconds

ELECTRICAL - OPTICAL CHARACTERISTICS

(Ta = 25°C)

PARAMETER		SYMBOL	MIN.	TYP.	MAX.	UNIT	CONDITIONS	
INPUT	Forward Voltage	V_F	—	1.2	1.5	V	$I_F=10\text{mA}$	
	Reverse Current	I_R	—	—	10	μA	$V_R=4\text{V}$	
	Terminal Capacitance	C_t	—	50	—	pF	$V=0, f=1\text{KHz}$	
OUTPUT	Collector Dark Current	$T_a=25^\circ\text{C}$	I_{CEO}	—	—	50	nA	$V_{CE}=10\text{V}, I_F=0$
		$T_a=100^\circ\text{C}$		—	—	500	μA	$V_{CE}=30\text{V}, I_F=0$
	Collector-Emitter Breakdown Voltage	BV_{CEO}	30	—	—	V	$I_C=0.1\text{mA}$ $I_F=0$	
	Emitter-Collector Breakdown Voltage	BV_{ECO}	7	—	—	V	$I_E=10\mu\text{A}$ $I_F=0$	
Collector-Base Breakdown Voltage	BV_{CBO}	70	—	—	V	$I_C=0.1\text{mA}$ $I_F=0$		
TRANSFER CHARACTERISTICS	Collector Current	I_C	10	—	—	mA	$I_F=10\text{mA}$ $V_{CE}=10\text{V}$	
	* Current Transfer Ratio	CTR	100	—	—	%		
	Collector-Emitter Saturation Voltage	$V_{CE(sat)}$	—	—	0.3	V	$I_F=50\text{mA}$ $I_C=2\text{mA}$	
	Isolation Resistance	R_{iso}	5×10^{10}	1×10^{11}	—	Ω	DC500V 40 ~ 60% R.H.	
	Floating Capacitance	C_f	—	1	2.5	pF	$V=0, f=1\text{MHz}$	
	Response Time (Turn-on)	t_{on}	—	3	10	μs	$V_{CC}=10\text{V}, I_C=2\text{mA}$ $R_L=100\Omega$	
	Response Time (Turn-off)	t_{off}	—	3	10	μs		

$$* \text{ CTR} = \frac{I_C}{I_F} \times 100\%$$

CHARACTERISTICS CURVES

Fig.1 Forward Current vs. Ambient Temperature

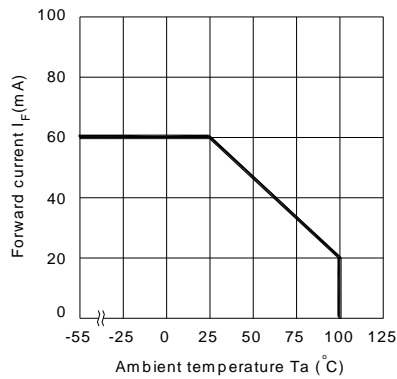


Fig.2 Collector Power Dissipation vs. Ambient Temperature

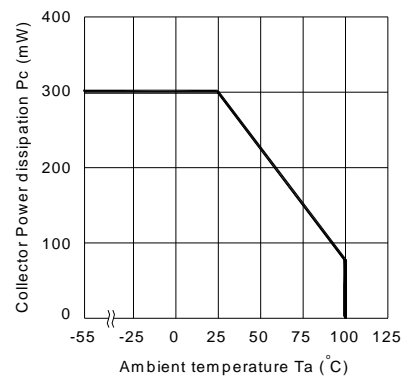


Fig.3 Forward Current vs. Forward Voltage

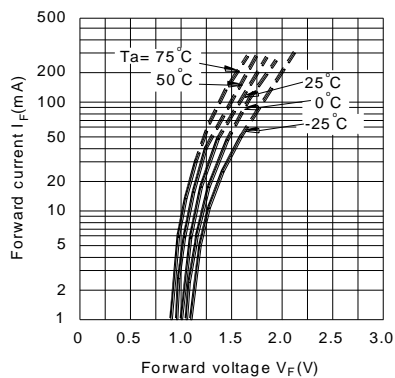


Fig.4 Current Transfer Ratio vs. Forward Current

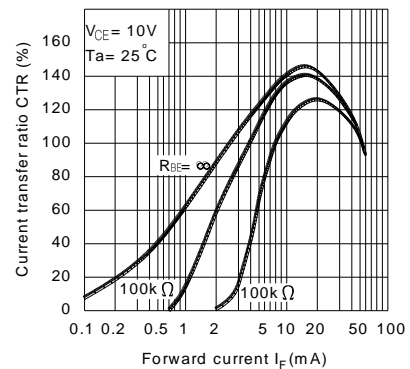


Fig.5 Collector Current vs. Collector-emitter Voltage

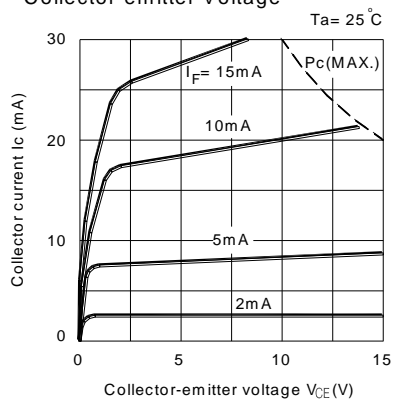
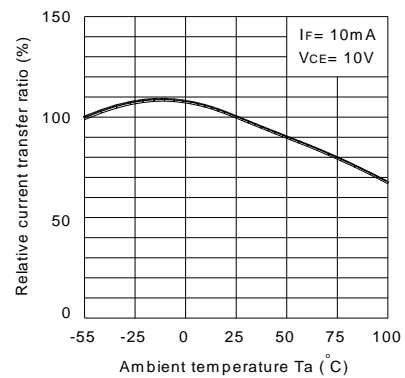


Fig.6 Relative Current Transfer Ratio vs. Ambient Temperature



CHARACTERISTICS CURVES

Fig.7 Collector-emitter Saturation Voltage vs. Ambient Temperature

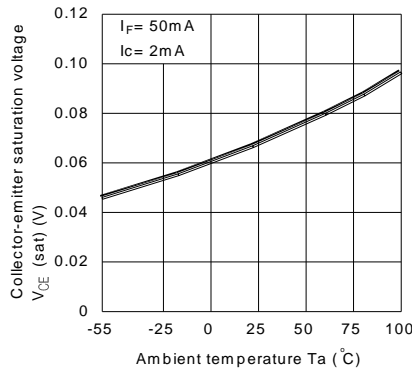


Fig.8 Collector Dark Current vs. Ambient Temperature

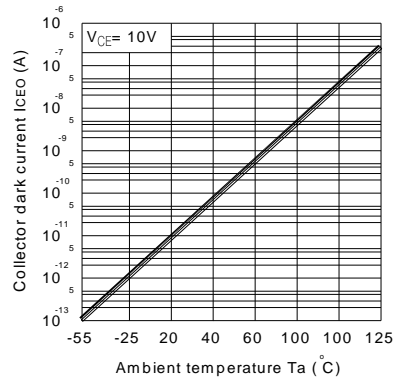


Fig.9 Response Time vs. Load Resistance

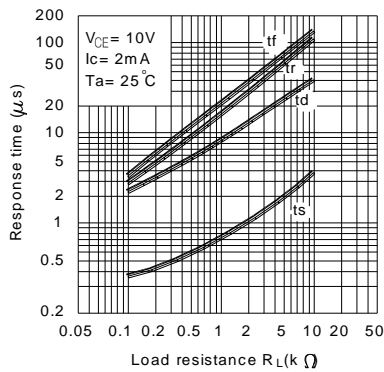


Fig.10 Frequency Response

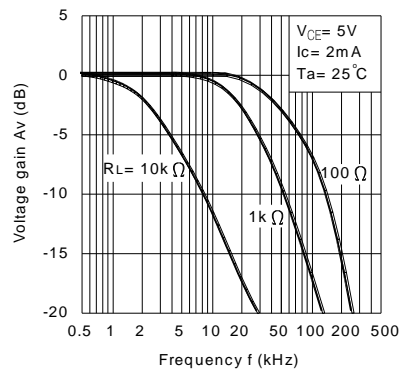
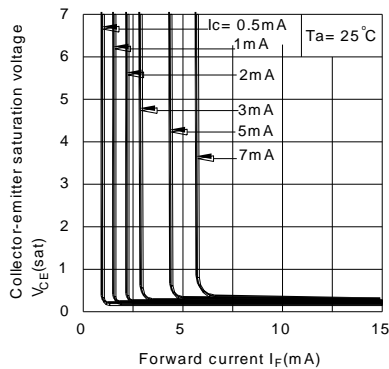
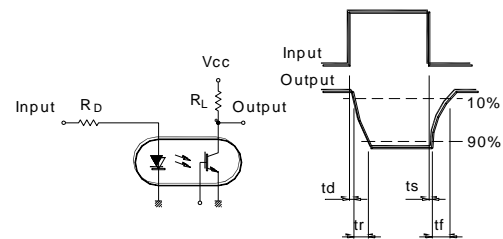


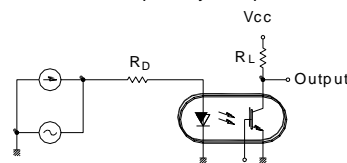
Fig.11 Collector-emitter Saturation Voltage vs. Forward Current



Test Circuit for Response Time

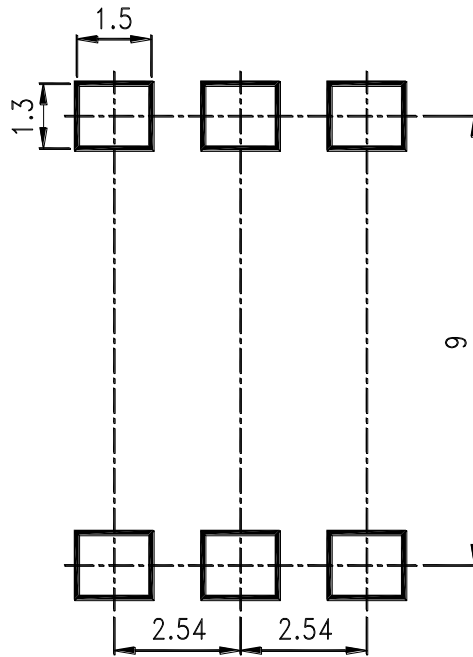


Test Circuit for Frequency Response



RECOMMENDED FOOT PRINT PATTERNS (MOUNT PAD)

Unit : mm



Notes:

- Lite-On is continually improving the quality, reliability, function or design and Lite-On reserves the right to make changes without further notices.
- The products shown in this publication are designed for the general use in electronic applications such as office automation equipment, communications devices, audio/visual equipment, electrical application and instrumentation.
- For equipment/devices where high reliability or safety is required, such as space applications, nuclear power control equipment, medical equipment, etc, please contact our sales representatives.
- When requiring a device for any " specific" application, please contact our sales in advice.
- If there are any questions about the contents of this publication, please contact us at your convenience.
- The contents described herein are subject to change without prior notice.
- Immerse the unit's body into solder paste is not recommended.

Mouser Electronics

Authorized Distributor

Click to View Pricing, Inventory, Delivery & Lifecycle Information:

[Lite-On:](#)

[4N35S-TA1](#) [4N37S-TA](#) [4N35S-TA](#) [4N37S-TA1](#) [4N37M](#) [4N35M](#) [4N35](#) [4N37](#) [4N37S](#) [4N35S](#)