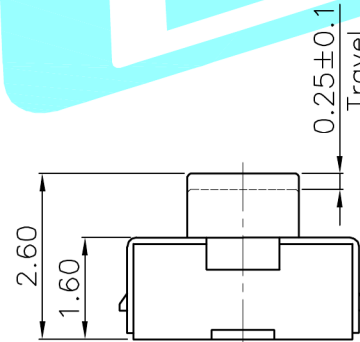
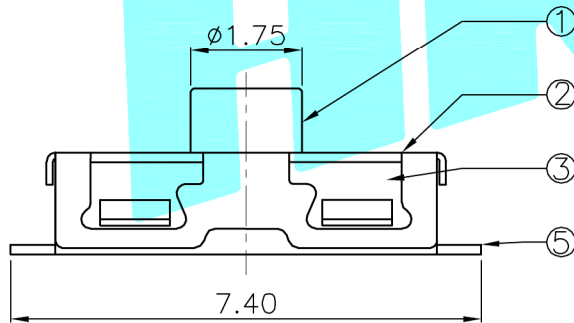


Circuit diagram

PCB Layout (Pattern Side)



NO.1	
PART NO	vigor
1	90±30
2	130±30
3	180±30
4	250±30
5	350±50

NO.3-NO.4	
PART NO	NOTE
01~99	SERIAL NUMBER

NO.2	
PART NO	MATERIAL/QTY
S	SUS/1PC
D	SUS/2PCS

ITEM	PART NAME	TER'NO.	QTY.	MATERIAL	FINISHING	REMARK
⑤	Terminal	—	2	Phosphor Bronze	Plating silver	—
④	Contact	—	2	F.Ag/SUS	Plating silver	—
③	Base	—	1	Nylon	Black	—
②	Cover	—	1	SUS	Natural	—
①	Keystoke	—	1	Silica gel	Blue	—

APPROVALS		DATE	HRO 韓榮 ELECTRONICS CO.,LTD		
DRAWN	J.X.Zhang	2013/6/30	TITLE:	TACT SWITCHS	
CHECKED			PART NO.	K2-1111SP-A□□W-□□	
APPROVALS			UNIT: mm	SCALE: 1:1	PROJ:
TOLERANCES ARE		30~以下: ±0.30 10~30: ±0.20 5~10: ±0.15 ~ 5: ±0.10	ANGLE	±2'	DRAWING NO.
ECN NO.	REV.	DATE.	DESCRIPTION.	CHANGE.	CHECK.

ECN NO.	REV.	DATE.	DESCRIPTION.	CHANGE.	CHECK.	APPRO.
	A		NEW			