

PLEASE CHECK WWW.MOLEX.COM FOR LATEST PART INFORMATION

Part Number: [5601240131](#)
Status: **Active**
Overview: [DuraClik™ Connector System](#)
Description: [DuraClik™ ISL Wire-to-Board Crimp Receptacle Terminal, Female, ASS 0.3 Square Wire, Gold](#)

Documents:

[Drawing \(PDF\)](#) [Packaging Specification PK-560124-002 \(PDF\)](#)
[Application Specification AS-560123-001-001 \(PDF\)](#) [RoHS Certificate of Compliance \(PDF\)](#)

General

Product Family Crimp Terminals
Series [560124](#)
Application Signal
Crimp Quality Equipment Yes
Overview [DuraClik™ Connector System](#)
Product Name DuraClik™
UPC 889056303293

Physical

Gender Female
Material - Metal Copper Alloy
Material - Plating Mating Gold
Material - Plating Termination Tin
Net Weight 0.063/g
Packaging Type Reel
Plating min - Mating 0.203µm
Plating min - Termination 0.610µm
Termination Interface: Style Crimp or Compression
Wire Insulation Diameter 1.40mm
Wire Size AWG 22
Wire Size mm² 0.35

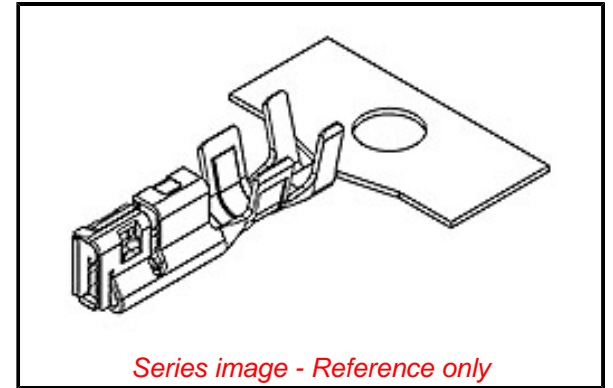
Electrical

Current - Maximum per Contact 3.0A
Voltage - Maximum 125V

Material Info

Reference - Drawing Numbers

Application Specification AS-560123-001-001
Packaging Specification PK-560124-002
Sales Drawing SD-560124-002



EU ELV

Compliant

EU RoHS

Compliant

REACH SVHC

Not Contained Per
-ED/01/2017 (12
January 2017)

Halogen-Free

Status

Low-Halogen

Need more information on product environmental compliance?

Email productcompliance@molex.com
Please visit the [Contact Us](#) section for any non-product compliance questions.

China ROHS	Not Relevant
ELV	Compliant
RoHS Phthalates	Not Contained

Search Parts in this Series

[560124 Series](#)

Use With

[560123 DuraClik™ ISL Receptacle Housing](#)

PLEASE CHECK WWW.MOLEX.COM FOR LATEST PART INFORMATION

Mouser Electronics

Authorized Distributor

Click to View Pricing, Inventory, Delivery & Lifecycle Information:

[Molex:](#)

[560124-0131](#)